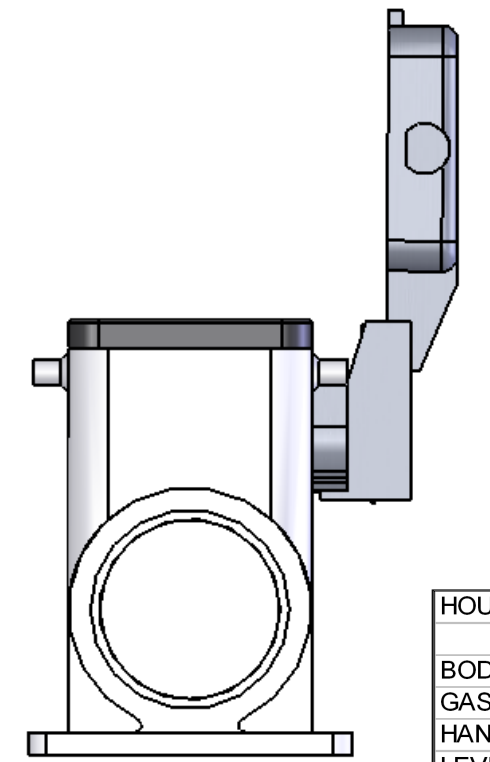
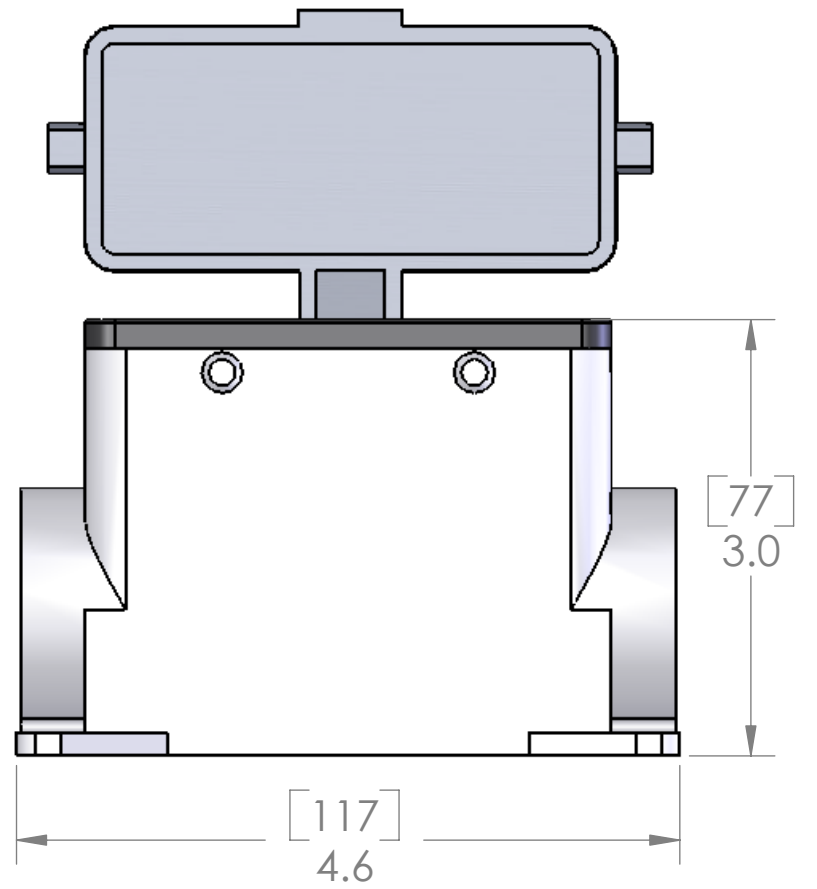
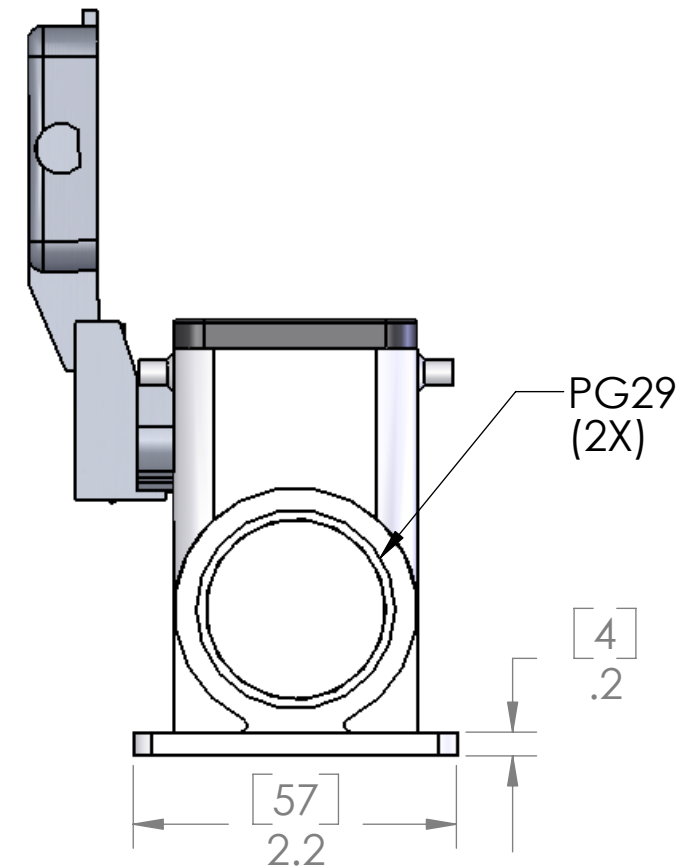
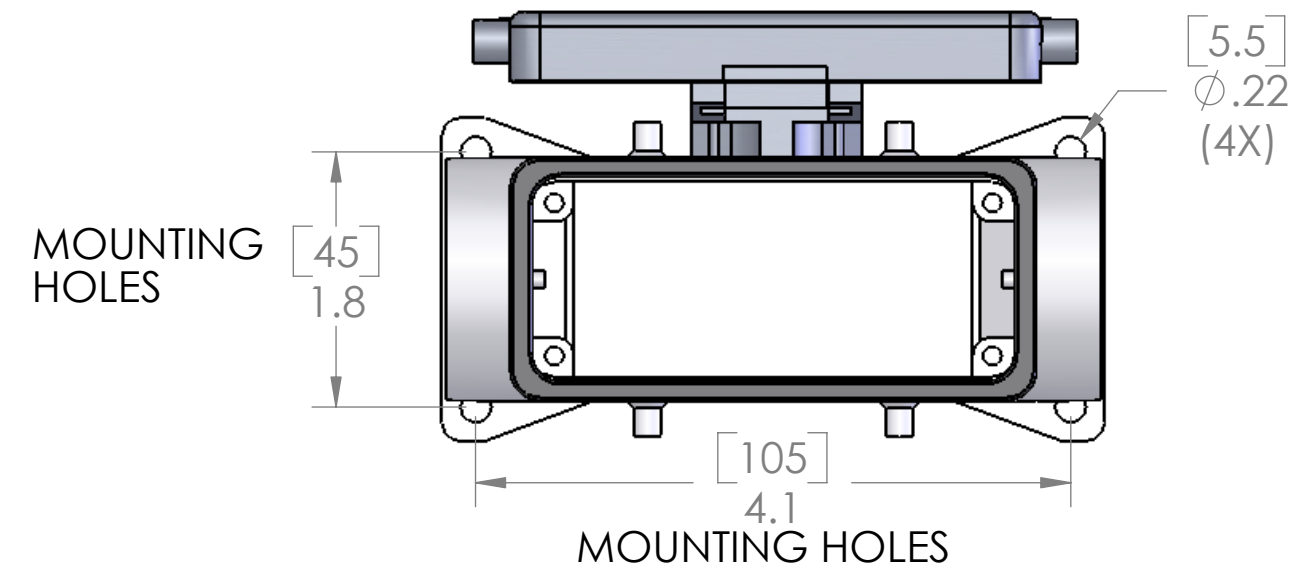


8 7 6 5 4 3 2 1

REVISIONS			
REV.	DESCRIPTION	DATE	APPROVED
A	REDRAWN IN SW	10/20/2006	BEM

D
C
B
A

D
C
B
A



HOUSING MATERIALS	
BODY:	EPOXY COATED DIE CAST ALUMINUM
GASKET:	THERMOPLASTIC ELASTOMER
HANDLE:	POLYAMIDE
LEVERS:	STAINLESS STEEL

UNLESS OTHERWISE SPECIFIED:		NAME
DIMENSIONS ARE IN INCHES AND [MM]	DRAWN	CAM
	CHECKED	
	ENG APPR.	
	MFG APPR.	
	Q.A.	
MATERIAL	COMMENTS:	
FINISH		
DO NOT SCALE DRAWING		

MENCOM CORPORATION		
TITLE: 16 POLE SURFACE MOUNT W/ PEGS & COVER, PG29 DOUBLE ENTRY		
SIZE B	DWG. NO. CAP-16CS229	REV A
SCALE: 3:4	WEIGHT:	SHEET 1 OF 1

SEAL RATING OF IP 65 ONLY ACHIEVED WHEN FULLY LATCHED TO MATING HOOD AND WITH AN APPROPRIATE SEALING GLAND INSTALLED

PROPRIETARY AND CONFIDENTIAL
THE INFORMATION CONTAINED IN THIS DRAWING IS THE SOLE PROPERTY OF MENCOM CORPORATION. ANY REPRODUCTION IN PART OR AS A WHOLE WITHOUT THE WRITTEN PERMISSION OF MENCOM CORPORATION IS PROHIBITED.

8 7 6 5 4 3 2 1