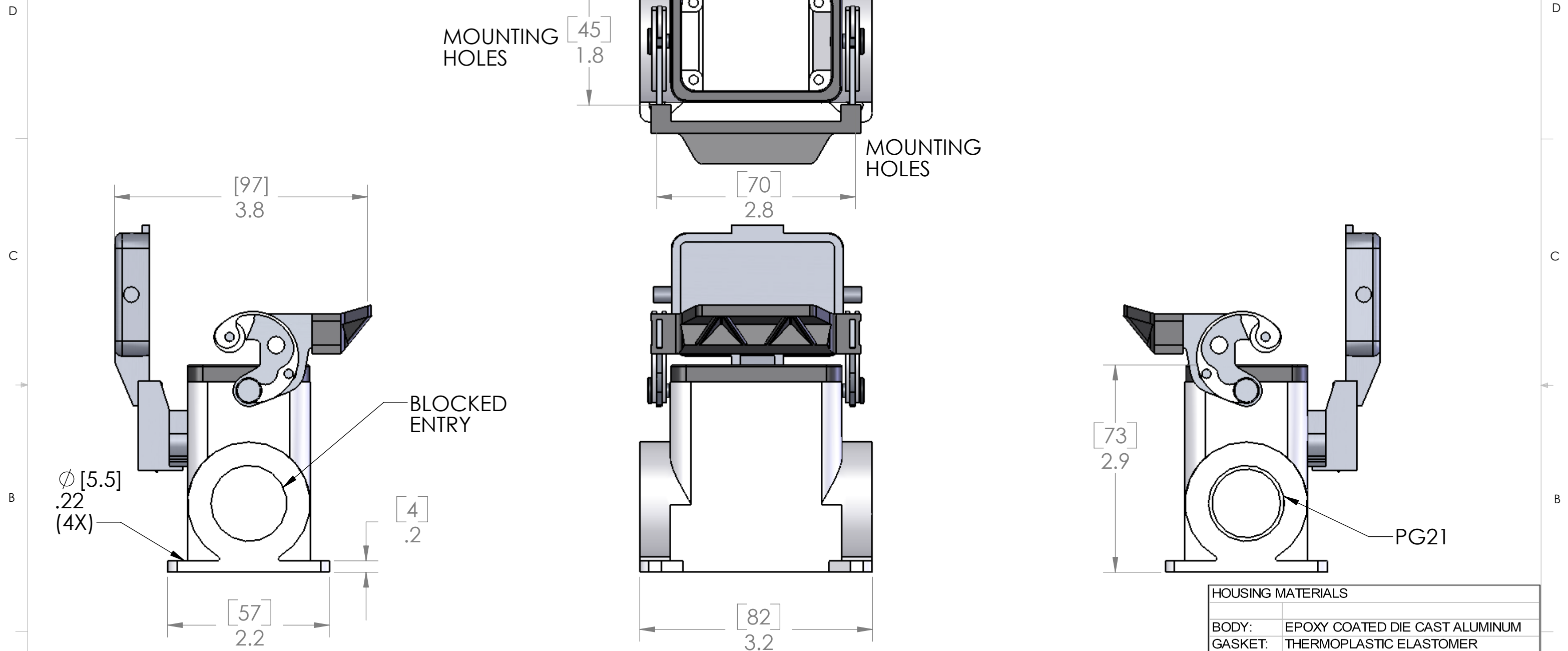


8 7 6 5 4 3 2 1

REVISIONS			
REV.	DESCRIPTION	DATE	APPROVED
A	REDRAWN IN SW	9/26/2006	BEM



HOUSING MATERIALS	
BODY:	EPOXY COATED DIE CAST ALUMINUM
GASKET:	THERMOPLASTIC ELASTOMER
HANDLE:	POLYAMIDE
LEVERS:	STAINLESS STEEL

SEAL RATING OF IP 65 ONLY ACHIEVED WHEN FULLY LATCHED TO MATING HOOD AND WITH APPROPRIATE SEALING GLANDS INSTALLED

**PROPRIETARY AND CONFIDENTIAL**  
 THE INFORMATION CONTAINED IN THIS DRAWING IS THE SOLE PROPERTY OF MENCOM CORPORATION. ANY REPRODUCTION IN PART OR AS A WHOLE WITHOUT THE WRITTEN PERMISSION OF MENCOM CORPORATION IS PROHIBITED.

UNLESS OTHERWISE SPECIFIED:	NAME
DIMENSIONS ARE IN INCHES AND [MM]	DRAWN CAM
	CHECKED
	ENG APPR.
	MFG APPR.
	Q.A.
MATERIAL	COMMENTS:
FINISH	
DO NOT SCALE DRAWING	

MENCOM CORPORATION		
TITLE:		
SIZE <b>B</b>	DWG. NO. CAP-06LS	REV <b>A</b>
SCALE: 3:4	WEIGHT:	SHEET 1 OF 1

A A

8 7 6 5 4 3 2 1