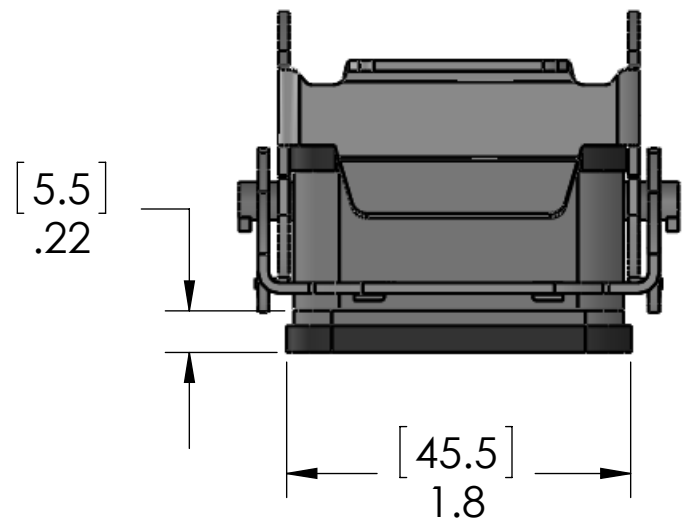
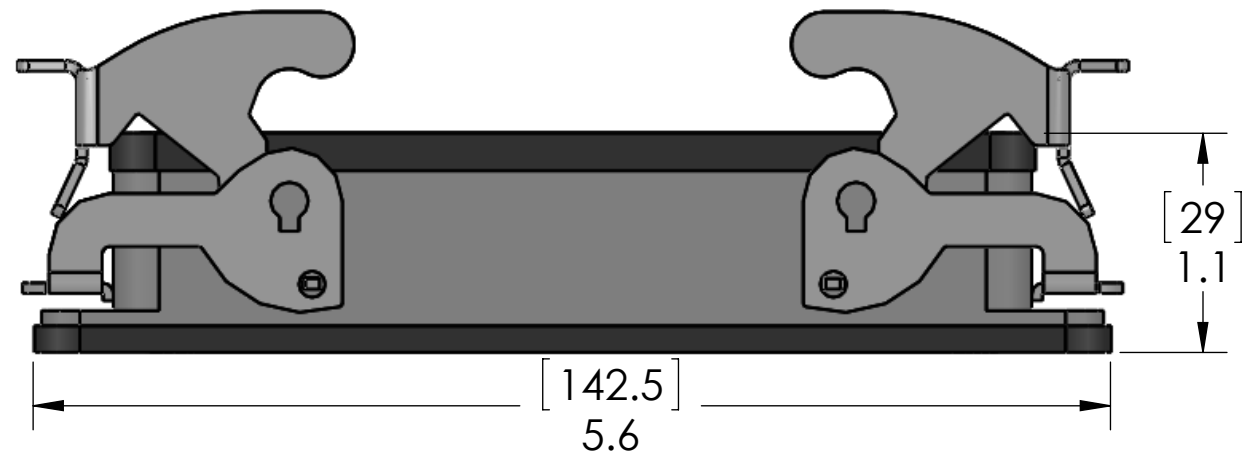
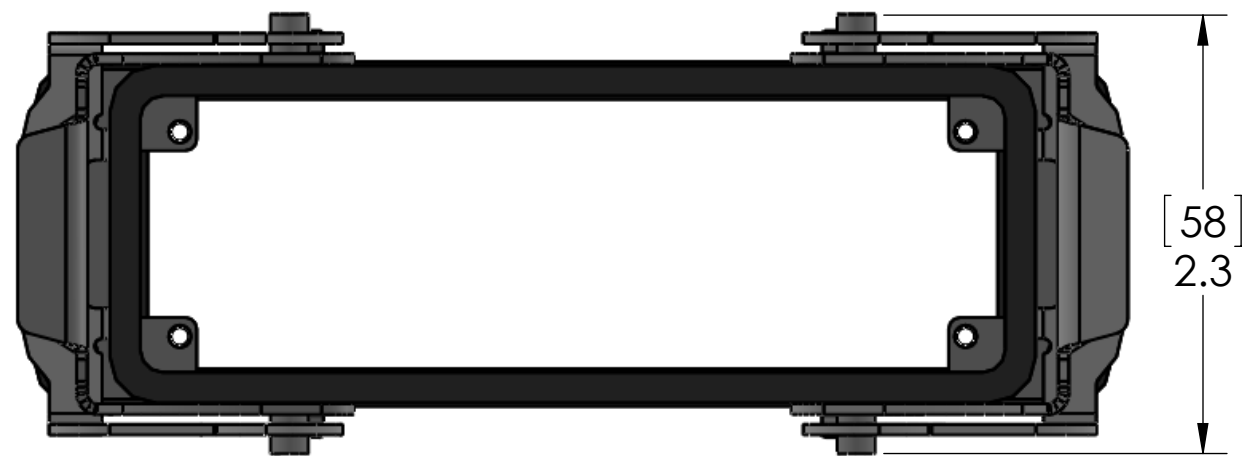
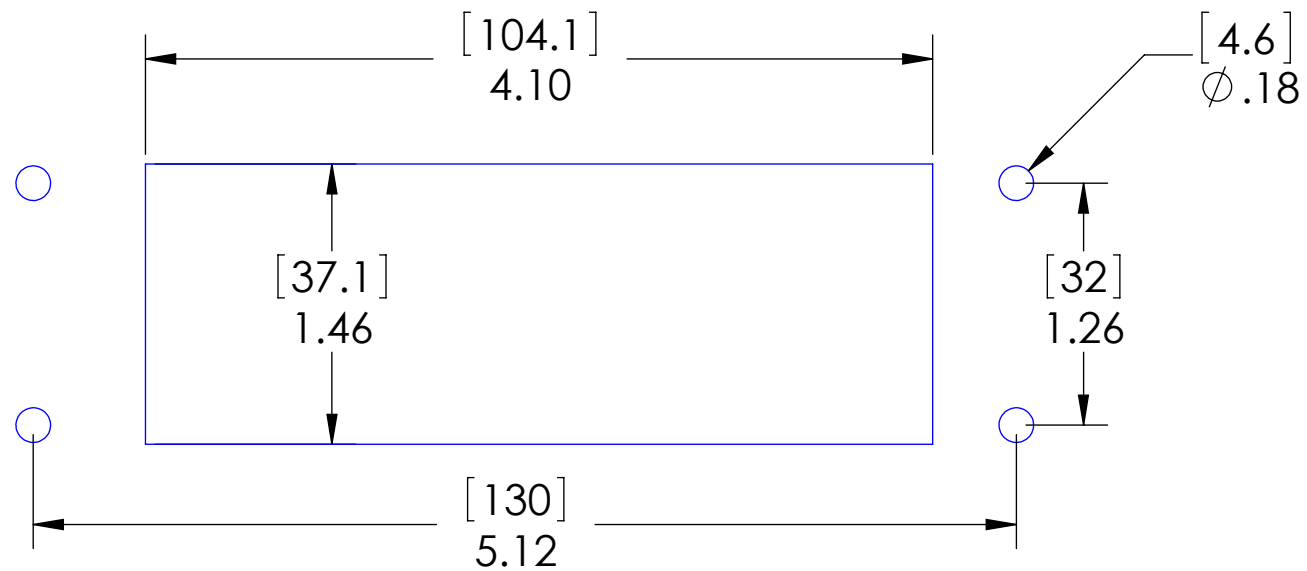


8 7 6 5 4 3 2 1



REVISIONS			
REV.	DESCRIPTION	DATE	APPROVED
A	REDRAWN IN SW	2/26/2015	BEM

PANEL CUTOUT



SEAL RATING OF IP 66/67 ONLY ACHIEVED WHEN FULLY LATCHED TO MATING HOOD

PROPRIETARY AND CONFIDENTIAL
THE INFORMATION CONTAINED IN THIS DRAWING IS THE SOLE PROPERTY OF MENCOM CORPORATION. ANY REPRODUCTION IN PART OR AS A WHOLE WITHOUT THE WRITTEN PERMISSION OF MENCOM CORPORATION IS PROHIBITED.

UNLESS OTHERWISE SPECIFIED:
DIMENSIONS ARE IN INCHES AND [MM]
MATERIAL
FINISH
DO NOT SCALE DRAWING

HOUSING MATERIALS	
BODY:	EPOXY COATED DIE CAST ALUMINUM
GASKET:	THERMOPLASTIC ELASTOMER
LEVERS:	STAINLESS STEEL

APPROVALS:	
US	UL RECOGNIZED
CANADA	C-UL RECOGNIZED

MENCOM CORPORATION		
TITLE: 24 POL IP67 PNL MT BASE		
SIZE B	DWG. NO. C71-24	REV A
SCALE: 1:1 WEIGHT:		SHEET 1 OF 1

8 7 6 5 4 3 2 1