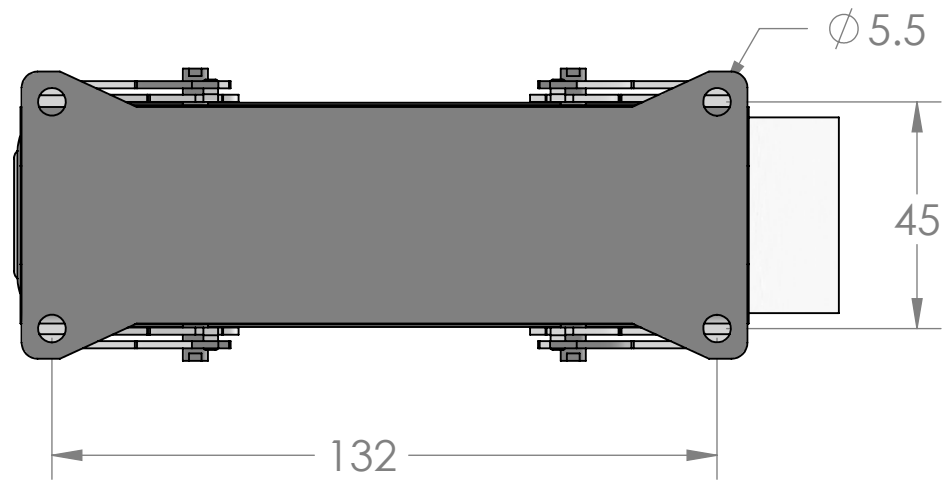
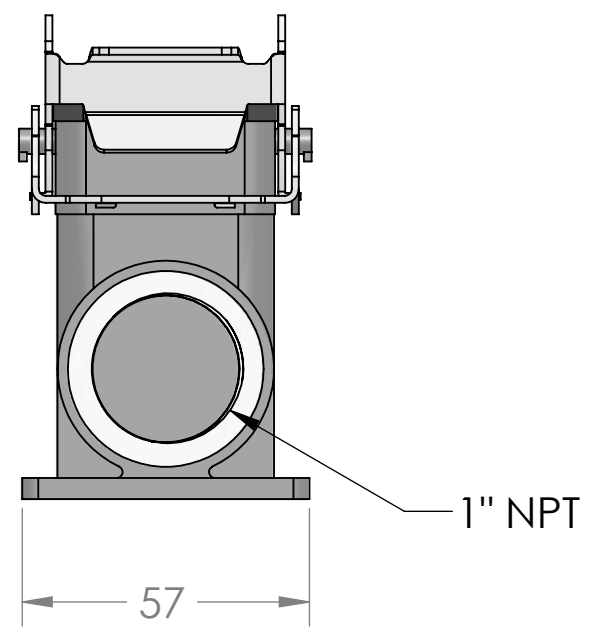
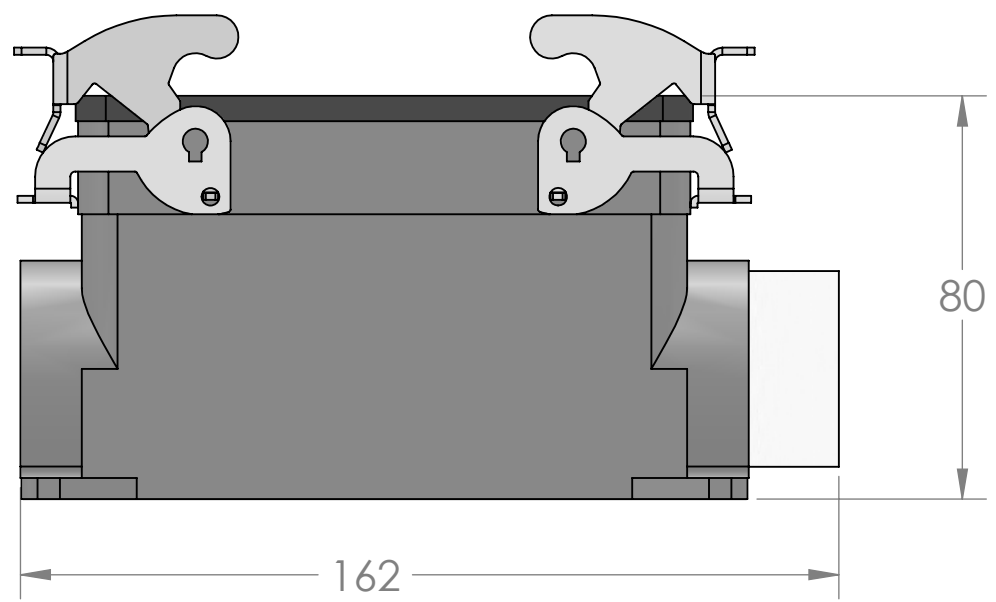


8 7 6 5 4 3 2 1

D
C
B
A



Technical data	
Operating temperature range (min, max)	(-40°C ... +125°C)
Material	metal
IP degree of protection	IP66/ IP67 (EN 60529) and IP69K (DIN 40050 - 9) degree of protection
Weight	510,00 g
Cable entry	1" NPT

PROPRIETARY AND CONFIDENTIAL
 THE INFORMATION CONTAINED IN THIS DRAWING IS THE SOLE PROPERTY OF MENCORPORATION. ANY REPRODUCTION IN PART OR AS A WHOLE WITHOUT THE WRITTEN PERMISSION OF MENCORPORATION IS PROHIBITED.

Description:
 surface mounting housings with 2 stainless steel levers, high construction, size "104.27", 1" NPT, metal version, IP66 / IP67

UNLESS OTHERWISE SPECIFIED:	DRAWN BY	DCG
DIMENSIONS ARE IN MM	DRAWN DATE	04/01/2019
TOLERANCES:	CHECKED BY	JJH
FRACTIONAL $\pm 1/64$	CHECK DATE	04/01/2019
ANGULAR: MACH $\pm 3^\circ$ BEND $\pm 5^\circ$		
ONE PLACE DECIMAL $\pm .2$		
TWO PLACE DECIMAL $\pm .1$		
MATERIAL	COMMENTS:	
FINISH		
DO NOT SCALE DRAWING		

MENCORPORATION		
TITLE: 24 PL IP 67 V-TYPE SRFC MT BS		
SIZE B	DWG. NO. C7APT-24.6	REV A
SCALE: 2:3	WEIGHT:	SHEET 1 OF 1

8 7 6 5 4 3 2 1