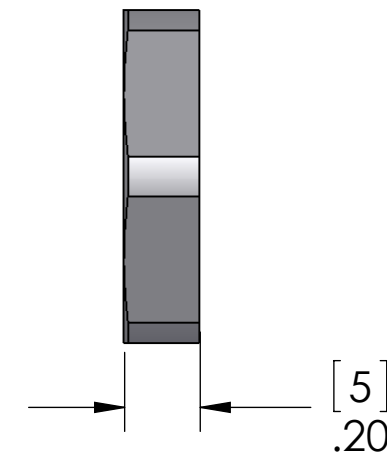
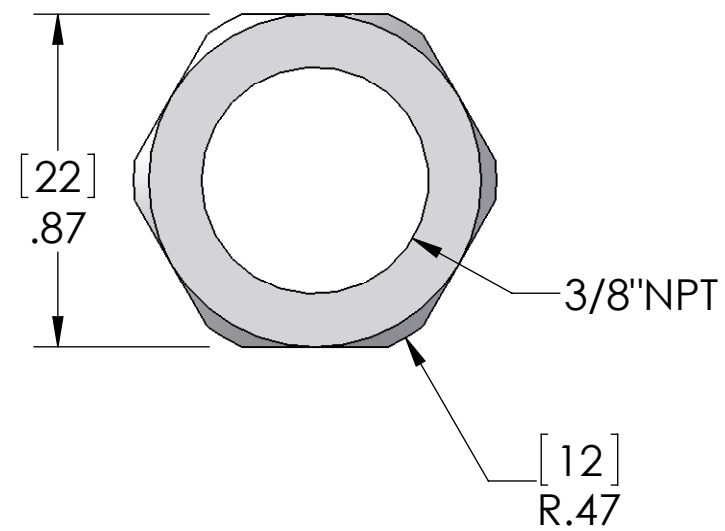


REVISIONS			
REV.	DESCRIPTION	DATE	APPROVED
A	REDRAWN IN SW	8/18/2009	



MATERIALS:	
BODY:	GRAY POLYAMIDE

SPECIFICATIONS:	
TEMPERATURE:	-20°C - +100°C

**PROPRIETARY AND CONFIDENTIAL**  
 THE INFORMATION CONTAINED IN THIS DRAWING IS THE SOLE PROPERTY OF MENCOM CORPORATION. ANY REPRODUCTION IN PART OR AS A WHOLE WITHOUT THE WRITTEN PERMISSION OF MENCOM CORPORATION IS PROHIBITED.

UNLESS OTHERWISE SPECIFIED:		NAME	MENCOM CORPORATION	
DIMENSIONS ARE IN INCHES & [MM]		DRAWN	CAM	
		CHECKED	TITLE:	
		ENG APPR.	3/8" NPT GRAY PLSTC LOCK NUT	
		MFG APPR.	SIZE	DWG. NO.
		Q.A.	<b>B</b>	238PA
		COMMENTS:	REV	<b>A</b>
MATERIAL	Black PA Type 6	SCALE: 2:1	WEIGHT: 1.318	SHEET 1 OF 1
FINISH				
DO NOT SCALE DRAWING				