

ProControl™ Proportional Valves

PV3 & PV10 Series



Humphrey's ProControl™ proportional valves deliver variable flow control of compressed air or inert gas. Offered inline or manifold mount, miniature PV3 and PV10 series feature low hysteresis, excellent turn down ratios and repeatability. The design is flexible and, in certain applications, may be tailored at factory to meet unique requirements.

FEATURES

- Low hysteresis
- Excellent Resolution
- Low power consumption
- Compact construction
- Up to 75 SLPM flow

USES

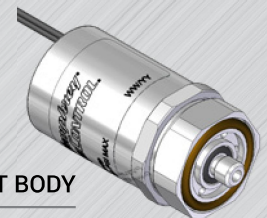
- Anesthesia gas delivery
- Oxygen delivery
- Sensor calibration
- Gas Chromatography
- Pressure control via dump circuit
- Medical support equipment
- Industrial control circuit
- Inducing or mixing gases

INSTALLATION

- Installation instructions can be found in our online catalog in the Documentation section of each model's product detail page.



INLINE BODY



MANIFOLD MOUNT BODY

ACCESS ONLINE CATALOG

Obtain 3D CAD Download, CAD Viewer, 2D Dimensional Drawings, Product Images, DataSheet PDFs, Product Accessories



How to Order

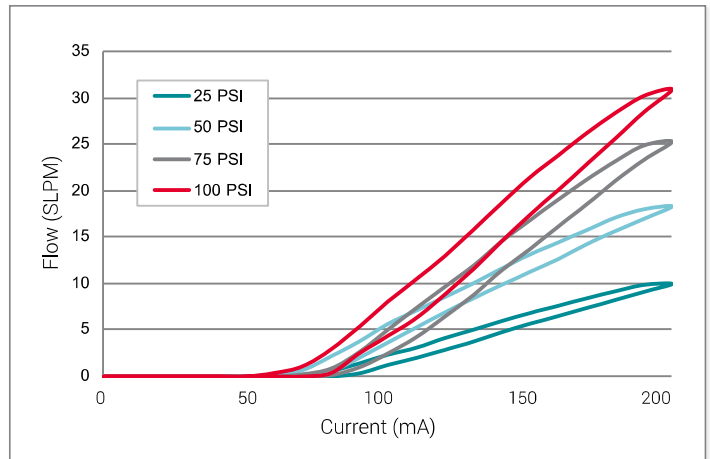
ProControl™ Proportional Valves || PV3 & PV10 Series

| | | | | | |
|-----------------------------|---|--|--|---|----------------------|
| PV3 | PM | 12 | 032 | A0 | PV3PM12032A0 |
| MODEL PV3 PV10 | BODY P: Inline PM: Manifold EP: Metric Inline | VOLTS 12: 12VDC 24: 24VDC | ORIFICE SIZE 032: 0.032" [0.8] (PV3) 080: 0.080" [2] (PV10) | MAXIMUM PRESSURE SETTING 25: 25 PSI (1.7bar) 75: 75 PSI (5.2 bar) 50: 50 PSI (3.4 bar) A0: 100 PSI (6.9 bar) | ORDER EXAMPLE |

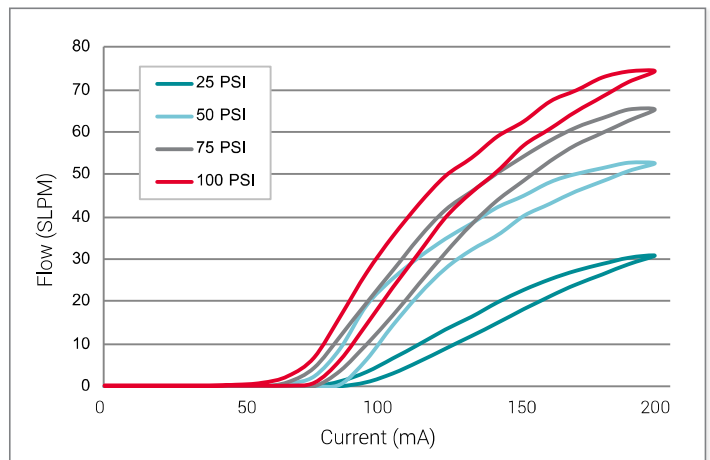
ProControl™ Proportional Valves PV3 & PV10 Series

| SPECIFICATIONS | PV3 | PV10 |
|-------------------------------|---|---------|
| TYPE OF OPERATION | Direct Solenoid | |
| FUNCTION | 2-Way, Normally Closed | |
| MEDIA | Air, Inert Gas | |
| MOUNTING | Refer to Manifold Mount Drawing Below. | |
| PRESSURE SETTINGS - PSI (BAR) | 25 (1.7), 50 (3.4), 75 (5.2), 100 (6.9) | |
| HYSTERESIS (TYP) | 8% | |
| MAXIMUM FLOW (TYP) | 30 SLPM | 75 SLPM |
| AMBIENT TEMPERATURE | 32-125° F (0-52° C) | |
| POWER CONSUMPTION (WATTS) | | |
| AT RATED CURRENT | 2 | 4 |
| MAXIMUM | 2.4 | 4.8 |
| NORMAL RESISTANCE (OHMS) | | |
| 12V MODEL @72°F (22°C) | 50 | 25 |
| 24V MODEL @72°F (22°C) | 200 | 100 |
| OPERATING CURRENT RANGE | | |
| 12V MODEL (mA) | 0-200 | 0-400 |
| 24V MODEL (mA) | 0-100 | 0-200 |
| WETTED MATERIALS | ENP Brass, SST, Nickel plated, FKM | |
| WEIGHT – OZ (GRAMS) | 3 (93) | |
| COMPLIANCE | RoHS, REACH | |

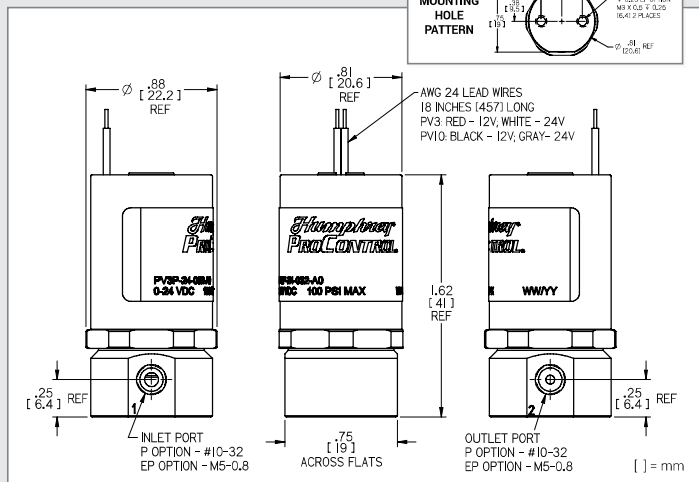
PV3 12V OPTIMIZED FOR FLOW VS CURRENT



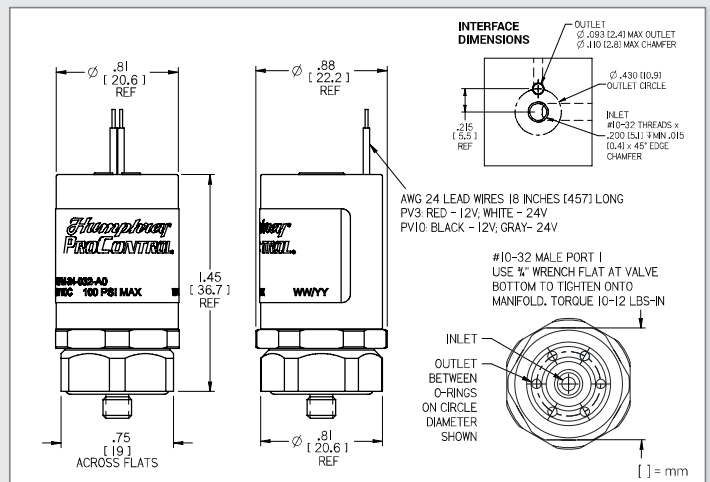
PV10 24V OPTIMIZED FOR FLOW VS CURRENT



INLINE DIMENSIONAL DRAWINGS



MANIFOLD MOUNT DIMENSIONAL DRAWINGS



Certified: ISO 9001:2015

