

ProControl™ Proportional Valves

PC30 Series



Humphrey's ProControl™ proportional valves deliver variable flow control of compressed air or inert gas from corresponding input current. Utilizing a frictionless, flat-spring armature, rugged PC30 Series achieves excellent flow control and long life in a simple, compact construction. Design is flexible and in certain applications, may be tailored at factory to meet unique requirements.

FEATURES

- Low hysteresis
- Excellent resolution
- Inline or manifold mount
- Compact construction
- High flow, up to 225 SLPM

USES

- Dynamic control adjustments (closed loop systems)
- Predetermined low frequency adjustments with each cycle
- Selectable control, cycle-to-cycle
- Precise downstream pressure control



INLINE
BODY



MANIFOLD
MOUNT BODY

ACCESS ONLINE CATALOG
Obtain 3D CAD Download, CAD Viewer,
2D Dimensional Drawings, Product Images,
DataSheet PDFs, Product Accessories



How to Order

ProControl™ Proportional Valves || PC30 Series

ORDER EXAMPLE

PC30	VPM	20	156	A0	PC30VPM20156A0
------	-----	----	-----	----	----------------

MODEL

ELECTRICAL CONNECTION

V: Wire Leads

PORT TYPE

P: Inline

PM: Manifold

CURRENT

10 - 525mA

20 - 285mA

ORIFICE SIZE

156 - 0.156" (100 PSI max)

188 - 0.188" (50 PSI max)

250 - 0.250" (25 PSI max)

MAXIMUM PRESSURE SETTING

25: 25 PSI (1.7bar)

50: 50 PSI (3.4 bar)

A0: 100 PSI (6.9 bar)

* CORRESPONDING MAXIMUM PSIG ORIFICE SIZE

25, 50, A0 – 0.156" orifice

25, 50 – 0.188" orifice

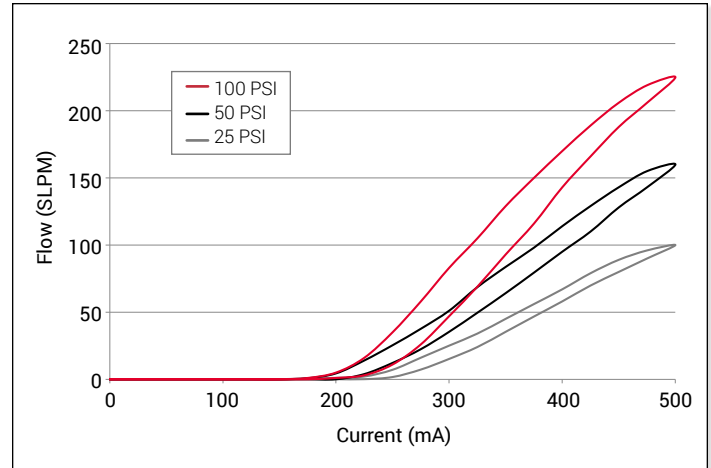
25 – 0.250" orifice

ProControl™ Proportional Valves PC30 Series

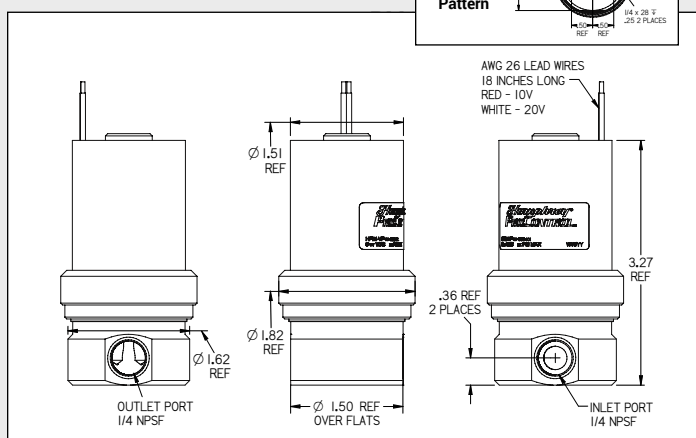
SPECIFICATIONS	PC30
TYPE OF OPERATION	Direct Solenoid
FUNCTION	2-Way, Normally Closed
MEDIA	Air (Vacuum), Inert Gas
MOUNTING	Refer to Manifold Mount Drawing Below.
PRESSURE SETTINGS - PSI (BAR)	25 (1.7), 50 (3.4), 100 (6.9)
HYSTERESIS (TYP)	<15%
MAXIMUM FLOW (TYP)	225* SLPM
AMBIENT TEMPERATURE	32-125° F (0-52° C)
POWER CONSUMPTION (WATTS)	
AT RATED CURRENT	5.8
MAXIMUM	7.7
NORMAL RESISTANCE (OHMS)	
10V MODEL @72°F (22°C)	19
20V MODEL @72°F (22°C)	70
OPERATING CURRENT RANGE	
10V MODEL (mA)	0-525
20V MODEL (mA)	0-285
WETTED MATERIALS	Aluminum, Stainless Steel, Nickel plated steel, FKM
WEIGHT – OZ (GRAMS)	14 (408)
COMPLIANCE	RoHS, REACH

* Build configuration determines max flow of each valve.

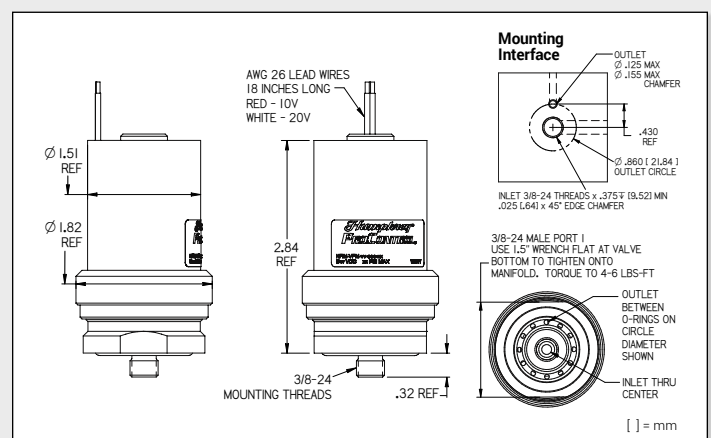
PC30 10V FLOW VS CURRENT



INLINE DIMENSIONAL DRAWINGS



MANIFOLD MOUNT DIMENSIONAL DRAWINGS



Certified: ISO 9001:2015

