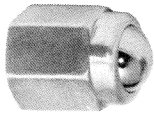


Humphrey TAC-TAC²-TAC³ Manual/Mech. Operators

These operators are used to convert TAC, TAC², and TAC³ push-button valves to manual or mechanical operation.



34B Ball Operator

Model 34B ball operator threads onto the collar of any TAC Series push-button valve. The ball is not retained until threaded onto valve. The 0.078-inch thickness of the #8-60 or #8-600 mounting bracket plus the 0.015-inch thickness of the lockwasher properly spaces the 34B to prevent prestroking of the button. Stroke is 0.093-inch. Actuating forces are shown in the accompanying chart. Weight: 0.88 oz. (24.8 gms.).



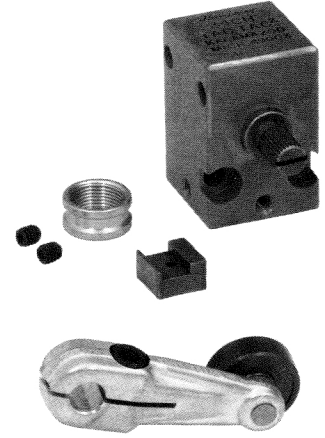
34C Cam Operator

Model 34C operator's actuating force varies by valve type and pressure as shown in the accompanying chart. Adjustment of cam roller height is made through the use of a mounting bracket and locknuts. The cam surface should release roller quickly for best valve response. Weight: 1 oz. (38.4 gms.).



34CW Cam Operator with One-Way Actuation

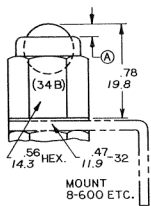
Model 34CW cam operator actuates valve when the pawl is contacted from lever side. The pawl then folds out of the way in the opposite direction. The spring-loaded Nylatron pawl has high tensile strength and excellent wear characteristics and is self-lubricating. Actuation forces are shown in accompanying chart. Weight: 1 oz. (38.4 gms.).



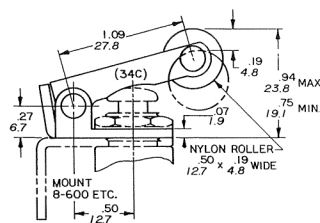
34CH Heavy-Duty Cam Operator

Model 34CH heavy-duty cam operator is for use with all TAC series valves except TAC³ valves. Its spline actuator shaft adapts to Cam Roller 28-60A (Order cam roller separately) and other commercially available actuator styles. The mean stroke is 15° each for prestroke, fully open, and over-stroke. Dimensions: 1.5"H x 1"W x 1"D. Weight: 3 oz. (85 gms.).

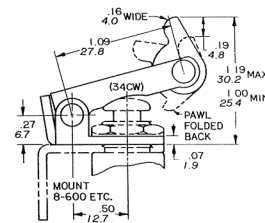
34B



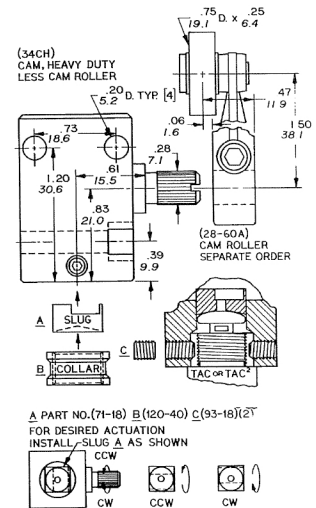
34C



34CW



34CH



34CH Assembly Instructions

- Position square slug into 34CH for desired actuation. The slug drill point rests on valve button.
- Thread collar fully onto valve.
- Insert valve/collar behind slug and secure by tightening #8-32 set screws at 90°.
- Mount 34CH, not valve, to equipment.
- Attach cam roller to spline actuator.



34T Fingertip Operator

Model 34T fingertip operator may be used with any TAC Series push-button valve to provide easier actuation. Actuation forces are shown in accompanying chart.



34F Foot, Knee, or Hand Operator

Model 34F foot, knee, or hand operator may be used with any TAC Series push-button valve except the TAC³. To install, disassemble the 34F by removing screws. Mount valve shoulder to bracket and retain with locknut

and lockwasher. Back and sides are left open for plumbing. Non-skid rubber pads on both sides. Mount to equipment with two 0.187-inch Dia. holes on 1.625-inch centers, 0.562 inches from back.

Specification

Force To Actuate in Ounces/Grams

Models 34C & 34CW

VALVED PRESSURE	30 psig	(2.1 bars)	60 psig	(4.2 bars)	100 psig	(7.0 bars)
2P	15	425	16	454	18	510
3P	19	539	27	765	38	1077
4P	22	624	22	624	23	652
4PP	6	170	7	198	8	227
31P	40	1134	44	1247	52	1474
41P	44	1247	52	1474	67	1899
41PP	26	737	28	794	34	964
42P	49	1389	66	1871	94	2665
42PP/PA	14	397	17	482	22	624
ESB	7	198				
34CH*	40	1134 Maximum				

*Use with TAC/TAC² Only.

Force to Actuate in Ounces/Grams

Model 34B†

VALVED PRESSURE	30 psig	(2.1 bars)	60 psig	(4.2 bars)	100 psig	(7.0 bars)
2P	32	907	36	1021	48	1361
3P	38	1077	54	1531	76	2155
4P	44	1247	44	1247	46	1304
4PP	12	340	14	397	16	454
31P	64	1814	72	2041	88	2495
41P	87	2466	104	2948	135	3827
41PP	52	1474	57	1616	67	1899
42P	97	2750	132	3742	189	5358
42PP/PA	26.5	751	34	964	43.5	1233
ESB	13	369				
34CH	40	1134 Maximum				

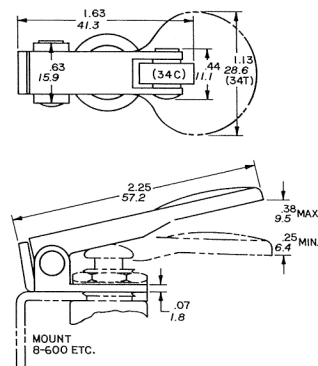
†Same force required to push valve button.

Force To Actuate in Ounces/Grams

Model 34T

VALVED PRESSURE	30 psig	(2.1 bars)	60 psig	(4.2 bars)	100 psig	(7.0 bars)
2P	10	284	12	340	14	397
3P	14	397	18	510	29	822
4P	16	454	16	454	17	482
4PP	5	142	6	170	7	198
31PP	28	794	32	907	40	1134
41P	32	907	38	1077	50	1418
41PP	19	539	21	595	25	709
42P	35	992	48	1361	69	1956
42PP/PA	10	284	13	369	16	454
ESB	5	142				

34T



34F

