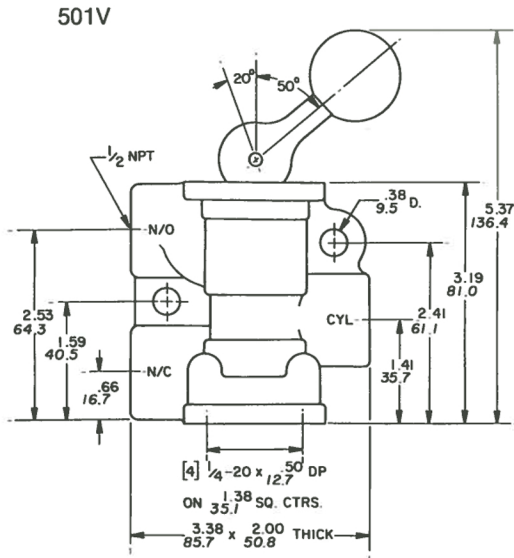
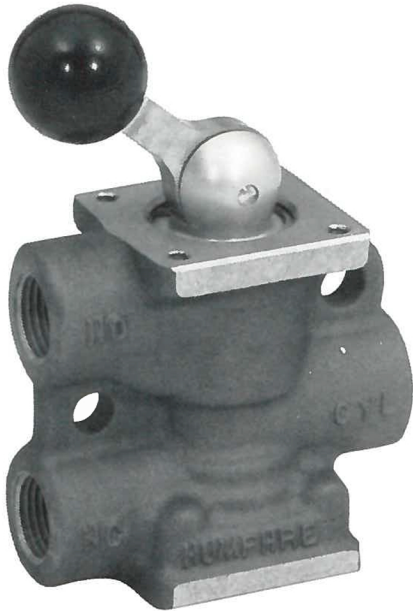


Humphrey 501 Series Manual Valves



501V

501V-3-12-20

Model 501V is a rugged, high flow (275 scfm at 125 psig), multi-purpose toggle valve offering several functions: normally closed, normally open, bi-media, and directional. All ports are on the same vertical plane for straight-line plumbing. The 501V valve can be mounted in any position: in-line, side mounted with bolts, with tapped holes in body, or on base. Full 0.500-inch orifice.



Specifications

MEDIA:

Air, Inert

PRESSURE RANGE:

0 to 125 psig (0 to 8.6 bars)

TEMPERATURE RANGE:

-20 to 225°F (-34.4 to 107.2°C)

MATERIALS:

Aluminum, SST, Buna N

LUBRICATION Recommended

FILTRATION Not required

Weight

19 oz

Number of Ports	2
Number of Positions	2
Valve Function	Detent
Piping Type	Inline, Direct piping
Standard Options	Mounting Base (code 21)
Type of Operation	Toggle
Flow Capacity (Cv)	3.67
Port Size	1/2 NPT