

# ProControl™ PV3 & PV10 Series Manifold Mount Body Type Installation & Handling Instructions

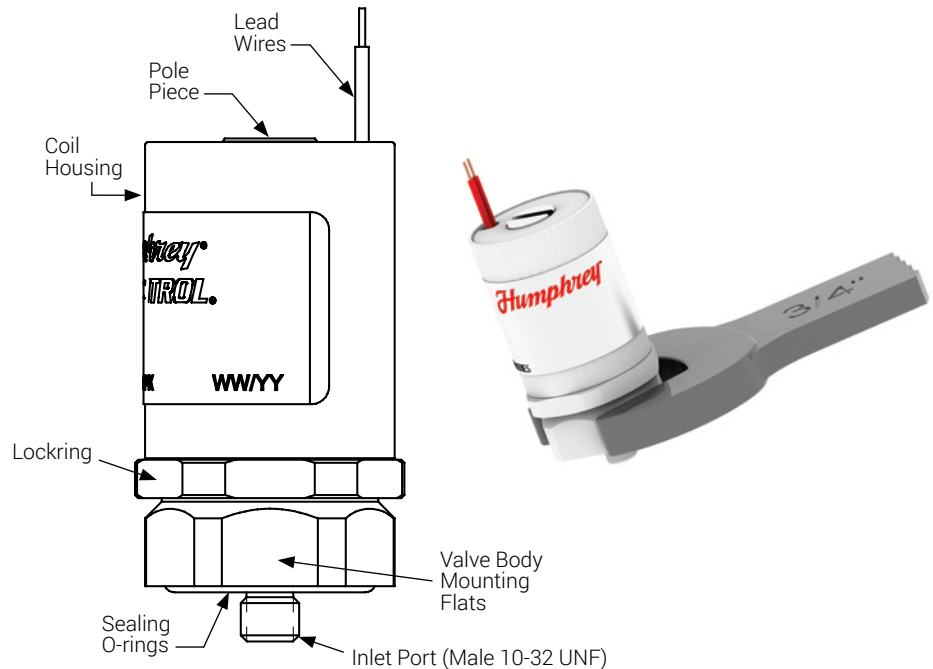
*Humphrey®*

## INSTALLATION

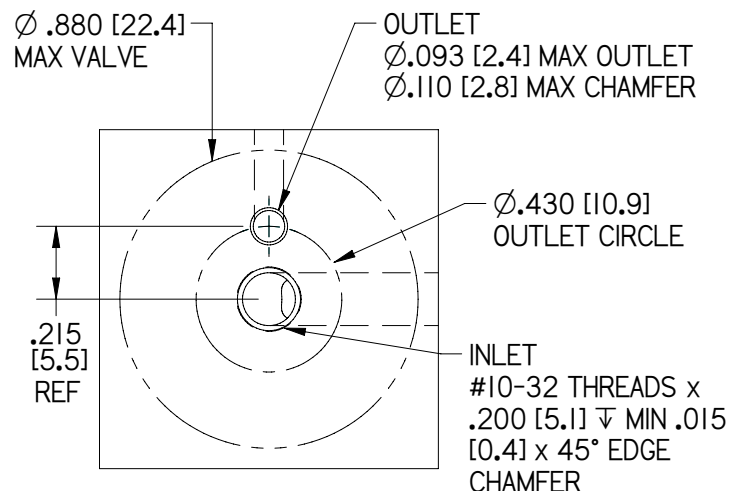
- Mating surface of corresponding manifold is shown. Surface finish should be  $\sqrt{32}$  or better. Outlet port location may reside anywhere on the outlet circle dimension.
- Using clean compressed air, blow out passageways of corresponding manifold, removing any chips or debris, which can cause valve malfunction or failure.
- Verify sealing o-rings are installed into valve bottom: Small o-ring is located at base of male threaded inlet port; Large o-ring is located at outside of outlet circle dimension.
- Secure valve to mating manifold with 3/4 inch wrench using Valve Body Mounting Flats only. Do not tighten valve to manifold using Lockring or Coil Housing. Thickness of 3/4 inch wrench is not to exceed 0.2 inches or must not engage Lockring while tightening.
- Torque for tightening valve to manifold is 10-12 lbs-in.
- Mount in any direction. Valve orientation is not restricted.
- Terminate lead wires appropriately. Valve is polarity neutral.

## HANDLING

- Do not handle (carry) valve using its lead wires. Do not pull lead wires excessively. Otherwise, valve may malfunction, or fail to operate.
- Valve will function using vacuum as media. For best results with vacuum, connect source to outlet port. Consult factory.
- Do not adjust/tamper with the Lockring or screwdriver slot of the Pole Piece. Otherwise, valve will malfunction.



## MANIFOLD INTERFACE DIMENSIONS



## HUMPHREY-PRODUCTS.COM

A privately owned US company since 1901.  
© 2022 Humphrey Products Company, Inc.  
Printed in USA.  
**IHMPCPV22**

Humphrey Products Company  
5070 East N Avenue  
Kalamazoo, MI 49048 USA  
P: 269.381.5500  
F: 269.381.4113



## ACCESS ONLINE CATALOG

Obtain 3D CAD Download, CAD Viewer,  
2D Dimensional Drawings, Product Images,  
DataSheet PDFs, Product Accessories

Certified: ISO 9001:2015