

EvoSIGNAL / EvoSIGNAL Accessories
Mini Adaptor BM GY



Part No.: 260.700.01



MECHANICAL DATA	
Height	18 mm
Diameter	62 mm
Materials	PC/ABS
Housing colour	Grey
Protection category	IP66
Cable entry	Through hole
Cable entry maximum	d = 9 mm
Type of fixing	Base mounting
Working temperature minimum	-30°C
Working temperature maximum	+60°C
Weight with packaging	19 g
Product weight	13 g

ELECTRICAL DATA	
Pollution degree	3

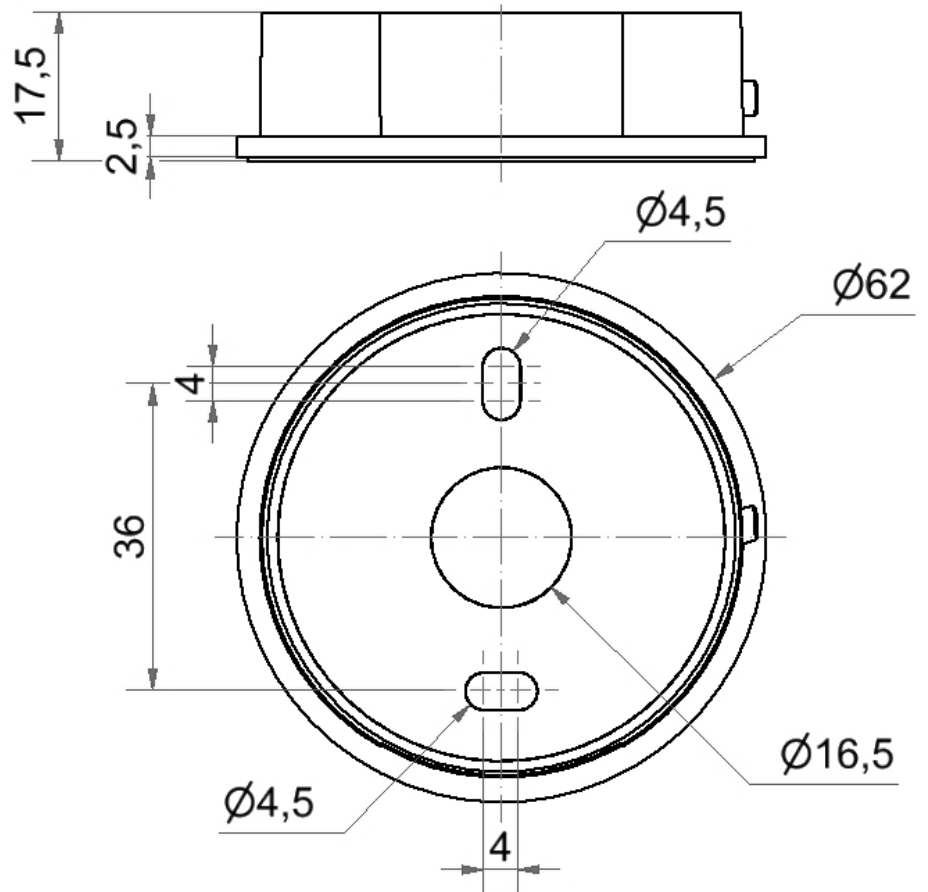
APPROVAL DATA	
Conforms with CE	No
WEEE	No
Conforms with RED directive	No
Conform with ATEX-directive	No
Conforms with CCC	No
Conforms with UL	cULus
UL Type Rating	Type 12
Conforms with FCC	No
Conforms with IC	No
EAC certificate available	Yes
Conforms with AS-I	No
ICAO Certification	No
Conforms with GL	No
Conforms with RoHS CN	No
Conforms with VdS	No

! For additional installation and mounting information, refer to the appropriate user guide at www.werma.com. This printed copy is for information only and is subject to alteration.

EvoSIGNAL / EvoSIGNAL Accessories

Mini Adaptor BM GY

DRAWING



! For additional installation and mounting information, refer to the appropriate user guide at www.werma.com. This printed copy is for information only and is subject to alteration.