

## KombiSIGN 71 / Terminal Element

### Terminal element M12 5-Pole BK



Part No.:	640.870.00
Series:	KombiSIGN 71



#### MECHANICAL DATA

Height	59 mm
Diameter	70 mm
Materials	PA-GF PC
Housing colour	Black
Protection category	IP65
Connection	M12 plug 5-pole
Type of fixing	Base mounting Tube mounting
Working temperature minimum	-30°C
Working temperature maximum	+60°C
Weight with packaging	100 g
Product weight	79 g

#### ELECTRICAL DATA

Operating voltage	10-31,6V
Operating voltage type	DC
Operating voltage tolerance	+/- 0%
Protection class	Protection class 3
Pollution degree	3
Current carrying capacity	2A

#### APPROVAL DATA

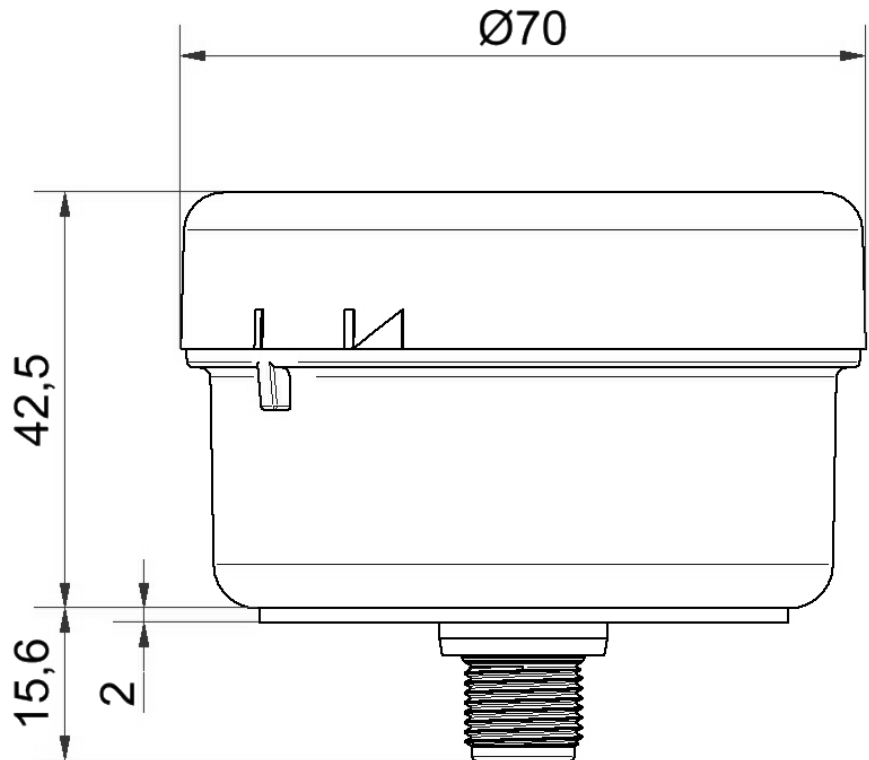
Conforms with CE	Yes
WEEE	Yes
Conforms with RED directive	No
Conform with ATEX-directive	No
Conforms with CCC	No
Conforms with UL	cULus
UL Type Rating	Type 12
Conforms with FCC	No
Conforms with IC	No
EAC certificate available	Yes
Conforms with AS-I	No
Conforms with GL	No
Conforms with RoHS CN	No
Conforms with VdS	No



For additional installation and mounting information, refer to the appropriate user guide at [www.werma.com](http://www.werma.com). This printed copy is for information only and is subject to alteration.

KombiSIGN 71 / Terminal Element  
**Terminal element M12 5-Pole BK**

**DRAWING**



**TERMINAL ASSIGNMENT**

640 870 00		Pin-Belegung/Pin-assignment		
<b>5-pin A-coded</b> 	<b>M12 Pin</b>	<b>Stufe / Tier</b>	<b>IO-Link</b>	<b>AS</b>
	1	1	L+	AS-i +
	2	3	2 L+ (+24V optional)	Uext -
	3	COM	L-	AS-i -
	4	4	C/Q	Uext +
	5	2	---	---

! For additional installation and mounting information, refer to the appropriate user guide at [www.werma.com](http://www.werma.com). This printed copy is for information only and is subject to alteration.