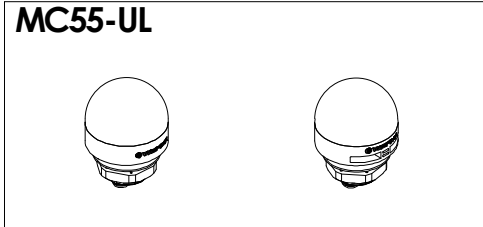
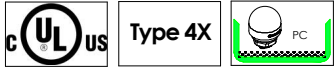
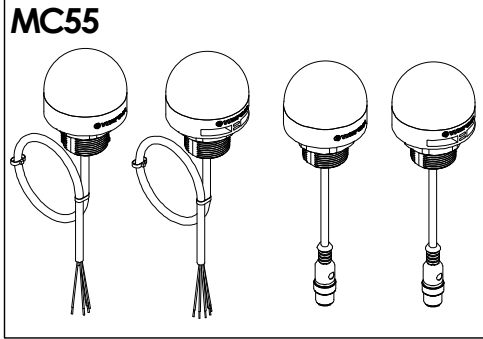
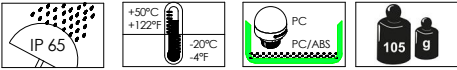


310.240.001
15000000045_AG

WERMA 240
Multicolour Beacon

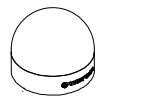
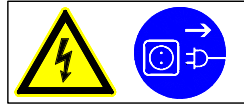


WERMA

WERMA Signaltechnik GmbH + Co.KG
D-78604 Rietheim-Weiheim
Telefon + 49 (0) 7424/9557-0
Telefax + 49 (0) 7424/9557-44
info@werma.com
www.werma.com

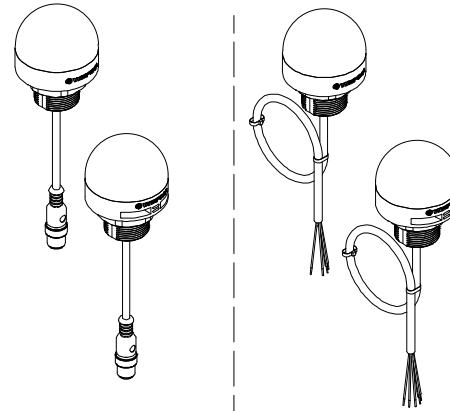


- Ⓓ Anschluss ausschließlich durch ausgebildete Elektro-Fachkräfte.
- Ⓔ Electrical connection is to be made by trained electrical specialists only .
- Ⓕ Le branchement doit uniquement être effectué par des professionnels.
- Ⓖ Il collegamento deve essere eseguito solo da elettricisti specializzati.
- Ⓔ La conexión sólo debe ser realizada por electricistas debidamente formados.
- Ⓐ A ligação deve ser feita exclusivamente por profissional elétrico especializado.
- Ⓐ De aansluiting mag enkel gebeuren door erkende vakmensen.
- Ⓐ Připojení smí provádět pouze kvalifikovaný personál.
- Ⓐ Podłączenie wyłącznie przez specjalistów-elektryków.
- Ⓐ Liittäminen kuuluu ainoastaan koulutettujen sähköalan ammattilaisten tehtäviin.
- Ⓐ Подключёние проводов только специалистом-электриком.
- Ⓐ Bağlantı sadece eğitimli elektrik teknisyenleri tarafından yapılmalıdır.
- Ⓐ 布线需由专业电工执行



LED Permanent/ Blinking RGB	240 110 50	10-30V=	I ≤ 60 mA I ₀ < 700 mA
LED Permanent RGB	240 120 50 240 320 50	10-30V=	
LED Permanent/ Blinking RGB	240 130 50	10-30V=	
LED Permanent RGB	240 140 50 240 340 50	10-30V=	
LED Permanent RGY	240 210 55 240 220 55 240 420 55	24V=	I ≤ 45 mA I ₀ < 150 mA
LED Permanent RGY	240 230 55 240 240 55 240 440 55	24V=	

240 120 50, 240 140 50 240 110 50, 240 130 50
240 220 55, 240 240 55 240 210 55, 240 230 55



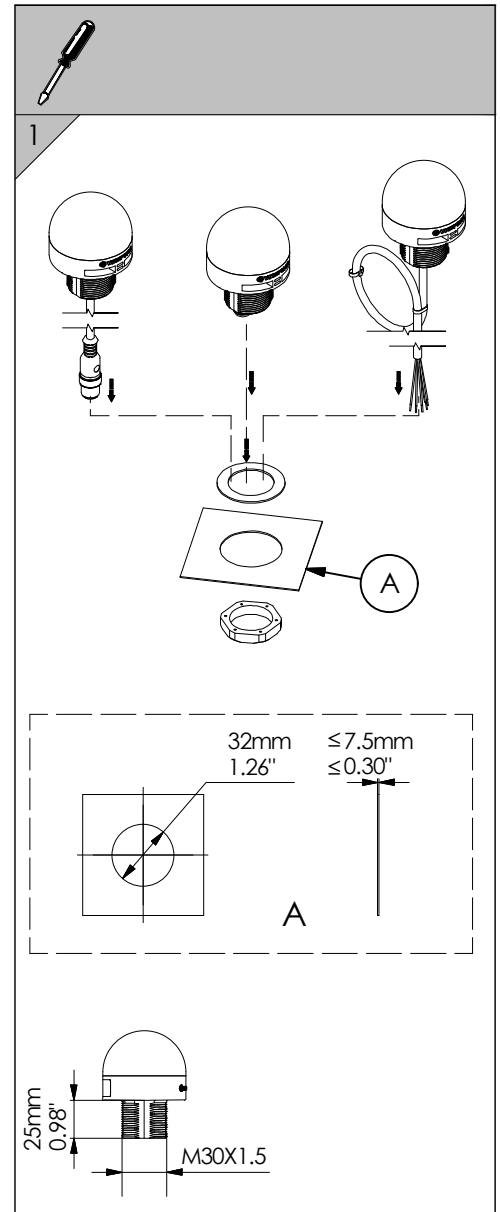
Cable length:
10cm/3.94"

Cable length:
145cm/57.09"

240 320 50, 240 340 50
240 420 55, 240 440 55



M12 Connector



2a

2a - 240 110 50, 240 130 50
2b - 240 210 55, 240 230 55
2c - 240 120 50, 240 140 50
240 320 50, 240 340 50
2d - 240 220 55, 240 240 55
240 420 55, 240 440 55

WH COM	Wire					Colour
	RD	GN	BU	YE	GY*	
(±)	(±)V	NC	NC	Blind-king	(±)V	RD
	NC	(±)V	NC			GN
	(±)V	(±)V	NC			YE
	NC	NC	(±)V			BU
	(±)V	(±)V	(±)V			WH
	(±)V	NC	(±)V			VT
	NC	(±)V	(±)V		TQ	

* 240 130 50
NC = not connected

2b

WH Com	Wire			Colour
	RD	GN	YE	
(±)	(±)V	NC	NC	RD
	NC	(±)V	NC	GN
	NC	NC	(±)V	YE

* 240 230 55
NC = not connected

2c

Pin					Colour
1	2	3 COM	4	5*	
NC	NC	(±)	(±)V	(±)V	RD
(±)V	NC		NC		GN
(±)V	NC		(±)V		YE
NC	(±)V		NC		BU
(±)V	(±)V		(±)V		WH
NC	(±)V		(±)V		VT
(±)V	(±)V	NC	NC		TQ

* 240 140 50
NC = not connected

2d

Pin					Colour
1	2	3 Com	4	5	
NC	NC	(±)	(±)V	(±)V	RD
(±)V	NC		NC		GN
NC	(±)V		(±)V		YE

* 240 240 55
NC = not connected

15000000045_AG
310.240.001

WERMA

Marking of Hazardous Substances
有害物质标识

WERMA article number 伟马电器物料号:
240 230 55, 240 240 55, 240 130 50, 240 140 50, 240 340 50, 240 440 55

According to the SJ/T 11364-2014 Standard of the People's Republic of China for the Electronic Industry
本表格依据中华人民共和国 SJ/T 11364-2014 的规定编制

WERMA

Marking of Hazardous Substances
有害物质标识

WERMA article number 伟马电器物料号:
240 210 55, 240 220 55, 240 110 50, 240 120 50, 240 320 50, 240 420 55

According to the SJ/T 11364-2014 Standard of the People's Republic of China for the Electronic Industry
本表格依据中华人民共和国 SJ/T 11364-2014 的规定编制

Component Name 部件名称	Hazardous Substances 有害物质				
	Lead 铅 (Pb)	Mercury 汞 (Hg)	Cadmium 镉 (Cd)	Hexavalent Chromium 六价铬 (Cr (VI))	Polybrominated diphenyl ethers 多溴二苯醚 (PBDE)
Plastic parts 塑料件	○	○	○	○	○
Label 标签	○	○	○	○	○
PCB and its electronics components 印制电路板及其电子元器件	X*	○	○	○	○
Buzzer 蜂鸣器	X*	○	○	○	○
M12 plug and cable M12 插头和电缆	○	○	○	○	○
Cable tie 扎带	○	○	○	○	○

This table was developed according to the provisions of SJ/T 11364-2014
本表格依据 SJ/T 11364-2014 的规定编制

O: The content of such hazardous substance in all homogeneous materials of such component is **below** the limit required by GB/T 26572-2011.
表示该有害物质在该部件所有均质材料中的含量均在 GB/T 26572-2011 规定的限量要求以下。
X: The content of such hazardous substance in all homogeneous materials of such component is **beyond** the limit required by GB/T 26572-2011.
表示该有害物质在该部件的某一均质材料中的含量超出 GB/T 26572-2011 规定的限量要求。

Enterprises may further explain the technical reasons for ticking "X" in the table above according to their actual situation herein.
企业可在此处，根据实际情形对上表中打“X”的技术原因进行进一步说明。

*Exemptions according to EU RoHS 2011/65 Annex III and IV of the possible use
欧盟 RoHS 2011/65 附件 III 和 IV 的豁免可能适用

■ Restricted substances beyond limit required by GB/T 26572-2011.
限制物质的含量超过 GB/T 26572-2011 规定的限制。

EFUP (Environment Friendly Use Period) 环保使用期限:

Riefheim 里泰姆 09.06.2021
i.V. 授权 D. Kentsy
Place and date of issue 签发地和日期

Component Name 部件名称	Hazardous Substances 有害物质				
	Lead 铅 (Pb)	Mercury 汞 (Hg)	Cadmium 镉 (Cd)	Hexavalent Chromium 六价铬 (Cr (VI))	Polybrominated diphenyl ethers 多溴二苯醚 (PBDE)
Plastic parts 塑料件	○	○	○	○	○
Label 标签	○	○	○	○	○
PCB and its electronics components 印制电路板及其电子元器件	X*	○	○	○	○
M12 plug and cable M12 插头和电缆	○	○	○	○	○
Cable tie 扎带	○	○	○	○	○

This table was developed according to the provisions of SJ/T 11364-2014
本表格依据 SJ/T 11364-2014 的规定编制

O: The content of such hazardous substance in all homogeneous materials of such component is **below** the limit required by GB/T 26572-2011.
表示该有害物质在该部件所有均质材料中的含量均在 GB/T 26572-2011 规定的限量要求以下。
X: The content of such hazardous substance in all homogeneous materials of such component is **beyond** the limit required by GB/T 26572-2011.
表示该有害物质在该部件的某一均质材料中的含量超出 GB/T 26572-2011 规定的限量要求。

Enterprises may further explain the technical reasons for ticking "X" in the table above according to their actual situation herein.
企业可在此处，根据实际情形对上表中打“X”的技术原因进行进一步说明。

*Exemptions according to EU RoHS 2011/65 Annex III and IV of the possible use
欧盟 RoHS 2011/65 附件 III 和 IV 的豁免可能适用

■ Restricted substances beyond limit required by GB/T 26572-2011.
限制物质的含量超过 GB/T 26572-2011 规定的限制。

EFUP (Environment Friendly Use Period) 环保使用期限:

Riefheim 里泰姆 09.06.2021
i.V. 授权 D. Kentsy
Place and date of issue 签发地和日期