

Traffic Lights / Accessories

Fixing bow 4 tier w.accessories GY**Part No.:** 975.890.37**MECHANICAL DATA**

Height	48 mm
Diameter	35 mm
Materials	PC/ABS
Housing colour	Grey
Protection category	IP65
Weight with packaging	216 g
Product weight	211 g

APPROVAL DATA

WEEE	No
Conforms with RED directive	No
Conform with ATEX-directive	No
Conforms with CCC	No
Conforms with UL	No
Conforms with FCC	No
Conforms with IC	No
EAC certificate available	No
Conforms with AS-I	No
ICAO Certification	No
Conforms with GL	No
Conforms with RoHS CN	No



For additional installation and mounting information, refer to the appropriate user guide at www.werma.com. This printed copy is for information only and is subject to alteration.

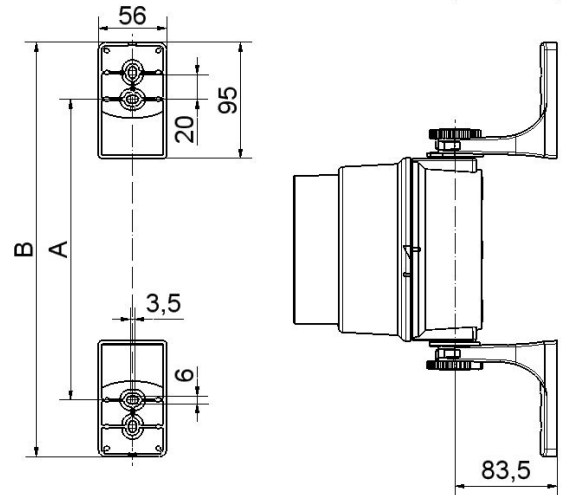
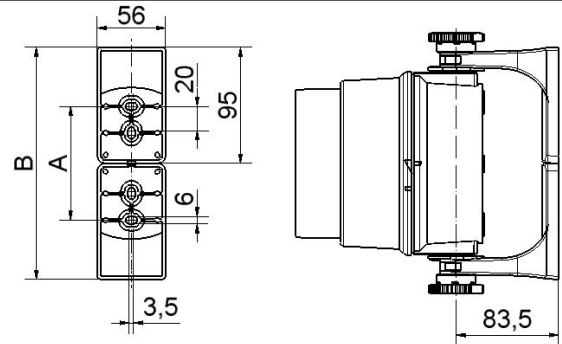
Traffic Lights / Accessories

Fixing bow 4 tier w.accessories GY

DRAWING

	A	B
975.890.33	93	190
975.890.34	251,2	348,2
975.890.35	409,4	506,4
975.890.37	567,6	664,6

	A	B
975.890.33	245	338
975.890.34	403,2	496,2
975.890.35	561,4	654,4
975.890.37	719,6	812,6



975.890.3X

! For additional installation and mounting information, refer to the appropriate user guide at www.werma.com. This printed copy is for information only and is subject to alteration.