

KombiSIGN 50 / LED Bulb  
**LED Bulb 115VAC CL**



**Part No.:** 956.400.67

#### MECHANICAL DATA

|                       |             |
|-----------------------|-------------|
| Height                | 41 mm       |
| Diameter              | 29 mm       |
| Materials             | PA-GF<br>PC |
| Housing colour        | Black       |
| Weight with packaging | 14 g        |
| Product weight        | 10 g        |

#### ELECTRICAL DATA

|                             |         |
|-----------------------------|---------|
| Operating voltage           | 115V    |
| Operating voltage type      | AC      |
| Operating voltage frequency | 60Hz    |
| Operating voltage tolerance | +/- 10% |
| Rated operational voltage   | 115 VAC |
| Rated operational current   | 15 mA   |
| Rated inrush current        | 500 mA  |

#### OPTICAL DATA

|                      |                  |
|----------------------|------------------|
| Light source         | LED              |
| Light colour         | White            |
| Optical signal image | Permanent        |
| Service life optical | 50,000 h maximum |
| Lamp fitting/socket  | BA15d            |

#### APPROVAL DATA

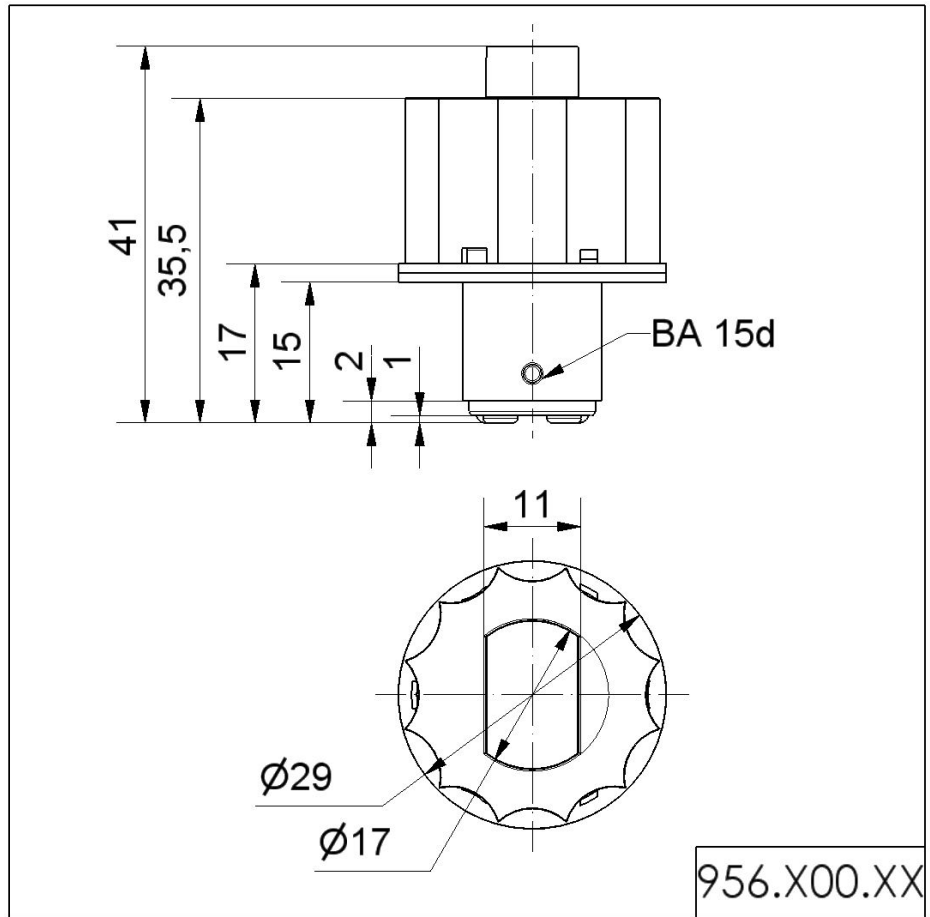
|                             |     |
|-----------------------------|-----|
| WEEE                        | Yes |
| Conforms with RED directive | No  |
| Conform with ATEX-directive | No  |
| Conforms with CCC           | No  |
| Conforms with FCC           | No  |
| Conforms with IC            | No  |
| EAC certificate available   | No  |
| Conforms with AS-I          | No  |
| ICAO Certification          | No  |
| Conforms with GL            | No  |
| Conforms with RoHS CN       | No  |



For additional installation and mounting information, refer to the appropriate user guide at [www.werma.com](http://www.werma.com). This printed copy is for information only and is subject to alteration.

KombiSIGN 50 / LED Bulb  
**LED Bulb 115VAC CL**

**DRAWING**



**!** For additional installation and mounting information, refer to the appropriate user guide at [www.werma.com](http://www.werma.com). This printed copy is for information only and is subject to alteration.