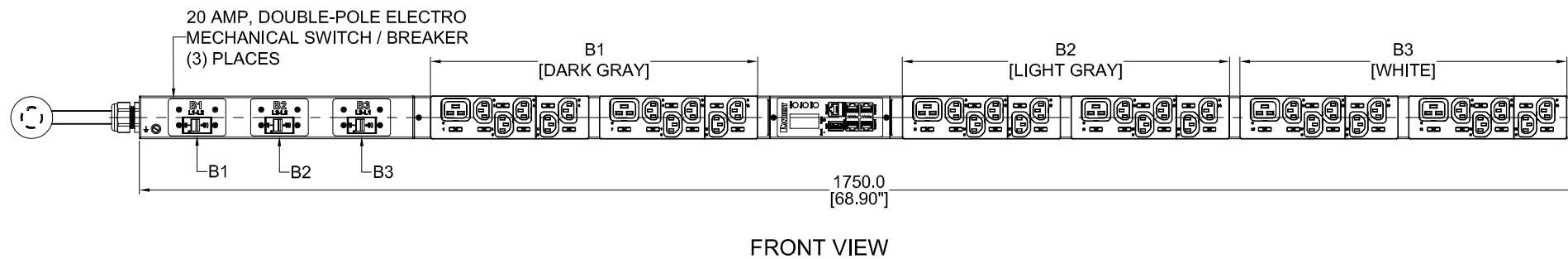
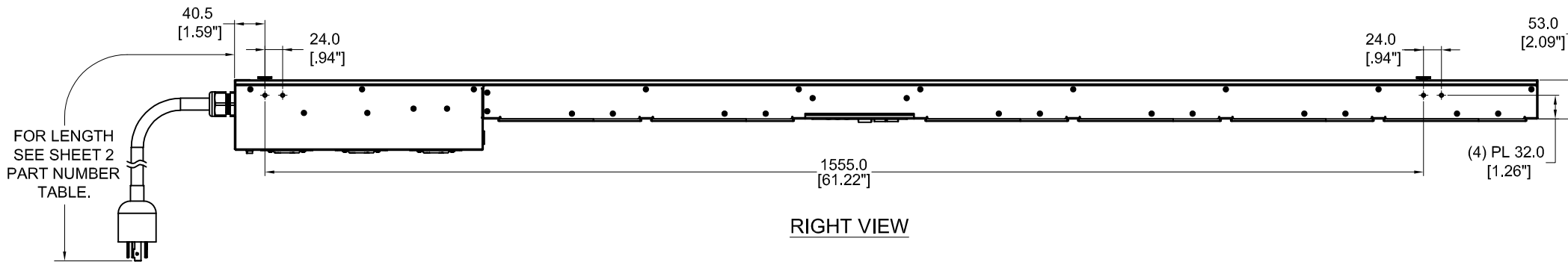
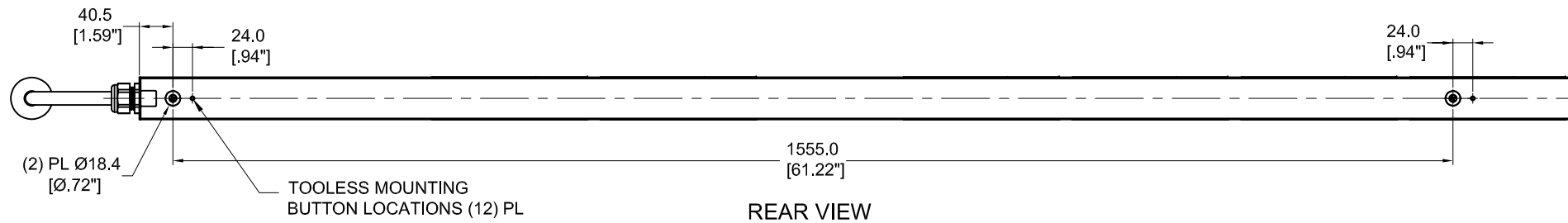
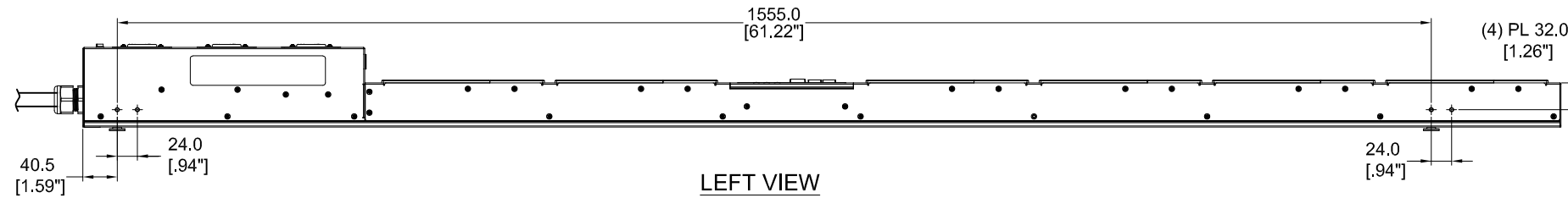


THIS COPY IS PROVIDED ON A RESTRICTED BASIS AND IS NOT TO BE USED IN ANY WAY DETRIMENTAL TO THE INTERESTS OF PANDUIT CORP.

PANDUIT P/N	WEIGHT
P36E34M-XXYZ	SEE SHEET 2



SPECIFICATION:

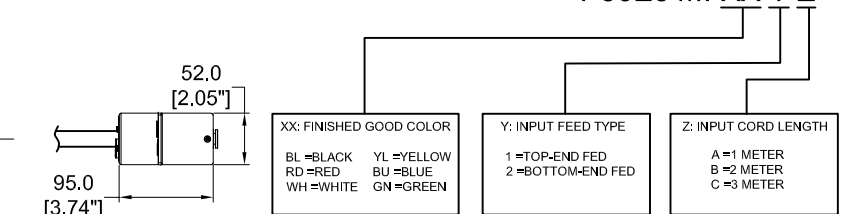
1. STANDARD:
- UNIT TYPE: MONITORED SWITCHED
 - ORIENTATION: VERTICAL, 0U FULL
 - OUTLET QTY & TYPE: (30)C13, (6)C19
 - INPUT VOLTAGE: 200-240VAC
 - INPUT CURRENT: 30A (24A DERATED)
 - BREAKER QTY & TYPE: (3) 20AMP, DOUBLE-POLE
 - INPUT PHASE: THREE-PHASE, DELTA
 - RATED POWER: 8.6 KVA
 - INPUT PLUG: NEMA L15-30P
 - INPUT POWER CORD: SEE SHEET 2 FOR PART NUMBER TABLE
- REGULATORY STANDARD: RoHS COMPLIANT
2. ADDITIONAL: NONE
3. ACCESSORIES: (1) QUICK-START GUIDE

NOTES:

- PRIMARY DIMENSIONS ARE IN MILLIMETERS. SECONDARY DIMENSION ARE IN [INCHES]
- INSTALLATION SHALL COMPLY WITH ALL APPLICABLE NATIONAL, STATE, AND LOCAL CODES
- VISIT OUR ON-LINE CATALOG AT WWW.PANDUIT.COM FOR A CURRENT LIST OF PRODUCTS APPLICABLE FOR USE WITH THIS PART
- FOR FULL PRODUCT FUNCTIONALITY REFER TO USER MANUAL
- DRAWING VIEWS SHOW THE INPUT CORD IN THE "TOP END FED" CONFIGURATION

IDENTIFICATION

FOR FINISHED GOOD PART NUMBER & DESCRIPTION TABLE SEE SHEET 2 CONFIGURABLE PART NUMBERS: P36E34M-XX Y Z



BOTTOM VIEW

WE ASK THAT YOU CHECK FULLY THE DIMENSIONS, NOTES, AND SIGN THE CLIENT SIGNATURE BOX. THE JOB WILL NOT PROGRESS WITHOUT SIGNED APPROVAL. PLEASE DO NOT DELAY IN RETURNING PROOF AS IT WILL AFFECT DELIVERY

SIGN _____
DATE _____
PRINT _____

PLUG/RECEPTACLE BLOCK

PLUG
NEMA L15 - 30P, 3P 4W
30A, 250V, 3 - PHASE MAX RATED INPUT
24A DERATED

RECEPTACLES
IEC 60320/C19
16A, 250V MAX RATED OUTPUT

RECEPTACLES
IEC 60320/C13
10A, 250V MAX RATED OUTPUT

REV	DATE	BY	CHK	APR	DESCRIPTION	ECN
02A	06/07/2018	H.XU	MIM	JAWI	ADDED SHEET 2 WITH CONFIGURABLE PART NUMBER TABLE AND DESCRIPTION UPDATED IDENTIFICATION TO INCLUDE CONFIGURABLE OPTION DE-CODER UPDATED CIRCUIT BREAKER LABELS WITH ROTATED TEXT	P36E34M
01A	10/09/2017	WSJ	MIM	EDM	INITIAL RELEASE	P36E34M

TITLE: INTELLIGENT SERIES PDU
P36E34M-XXYZ
CUSTOMER DRAWING

ITEM REVISION NAME: _____

DATASHEET FILE NAME: _____

UNLESS OTHERWISE SPECIFIED
DIMENSIONAL TOLERANCE ARE: mm [IN]

Tolerance(mm)
0<450 ±0.5
50<4250 ±1.0
250<4500 ±1.5
500<41000 ±2.5
1000<42000 ±4.0

THIRD ANGLE PROJECTION

MATERIAL/COLOR: N/A

DRAWING NUMBER: P36E34M_DC

DRAWN BY: WSJ DATE: 10/09/2017 CHK: SEAN SCALE: NONE

SHT 1 OF 2 SCALE: B

2



1

THIS COPY IS PROVIDED ON A RESTRICTED BASIS AND IS NOT TO BE USED IN ANY WAY DETRIMENTAL TO THE INTERESTS OF PANDUIT CORP.

FINISHED GOOD PART NUMBER	FINISHED GOOD DESCRIPTION	COLOR	INPUT CORD LENGTH	WEIGHT
P36E34M	VERTICAL,(30) C13,(6) C19,MONITORED SWITCHED, 200-240V/30A/3 PHASE DELTA , TOP-END FED, 3 METER INPUT CORD, BLACK	BLACK (RAL 9005)	3M(+254MM-127MM) 10'[+10'-5"]	9.4kg
P36E34M-BL1A	VERTICAL,(30) C13,(6) C19,MONITORED SWITCHED, 200-240V/30A/3 PHASE DELTA , TOP-END FED, 1 METER INPUT CORD, BLACK	BLACK (RAL 9005)	1M(+178MM-89MM) 3.3'[+3.5'-1.75"]	8.6kg
P36E34M-BL1B	VERTICAL,(30) C13,(6) C19,MONITORED SWITCHED, 200-240V/30A/3 PHASE DELTA , TOP-END FED, 2 METER INPUT CORD, BLACK	BLACK (RAL 9005)	2M(+178MM-89MM) 6.5'[+7'-3.5"]	9.0kg
P36E34M-RD1A	VERTICAL,(30) C13,(6) C19,MONITORED SWITCHED, 200-240V/30A/3 PHASE DELTA , TOP-END FED, 1 METER INPUT CORD, RED	RED (RAL 3020)	1M(+178MM-89MM) 3.3'[+3.5'-1.75"]	8.6kg
P36E34M-RD1B	VERTICAL,(30) C13,(6) C19,MONITORED SWITCHED, 200-240V/30A/3 PHASE DELTA , TOP-END FED, 2 METER INPUT CORD, RED	RED (RAL 3020)	2M(+178MM-89MM) 6.5'[+7'-3.5"]	9.0kg
P36E34M-RD1C	VERTICAL,(30) C13,(6) C19,MONITORED SWITCHED, 200-240V/30A/3 PHASE DELTA , TOP-END FED, 3 METER INPUT CORD, RED	RED (RAL 3020)	3M(+254MM-127MM) 10'[+10'-5"]	9.4kg
P36E34M-WH1A	VERTICAL,(30) C13,(6) C19,MONITORED SWITCHED, 200-240V/30A/3 PHASE DELTA , TOP-END FED, 1 METER INPUT CORD, WHITE	WHITE (RAL 9003)	1M(+178MM-89MM) 3.3'[+3.5'-1.75"]	8.6kg
P36E34M-WH1B	VERTICAL,(30) C13,(6) C19,MONITORED SWITCHED, 200-240V/30A/3 PHASE DELTA , TOP-END FED, 2 METER INPUT CORD, WHITE	WHITE (RAL 9003)	2M(+178MM-89MM) 6.5'[+7'-3.5"]	9.0kg
P36E34M-WH1C	VERTICAL,(30) C13,(6) C19,MONITORED SWITCHED, 200-240V/30A/3 PHASE DELTA , TOP-END FED, 3 METER INPUT CORD, WHITE	WHITE (RAL 9003)	3M(+254MM-127MM) 10'[+10'-5"]	9.4kg
P36E34M-YL1A	VERTICAL,(30) C13,(6) C19,MONITORED SWITCHED, 200-240V/30A/3 PHASE DELTA , TOP-END FED, 1 METER INPUT CORD, YELLOW	YELLOW (RAL 1023)	1M(+178MM-89MM) 3.3'[+3.5'-1.75"]	8.6kg
P36E34M-YL1B	VERTICAL,(30) C13,(6) C19,MONITORED SWITCHED, 200-240V/30A/3 PHASE DELTA , TOP-END FED, 2 METER INPUT CORD, YELLOW	YELLOW (RAL 1023)	2M(+178MM-89MM) 6.5'[+7'-3.5"]	9.0kg
P36E34M-YL1C	VERTICAL,(30) C13,(6) C19,MONITORED SWITCHED, 200-240V/30A/3 PHASE DELTA , TOP-END FED, 3 METER INPUT CORD, YELLOW	YELLOW (RAL 1023)	3M(+254MM-127MM) 10'[+10'-5"]	9.4kg
P36E34M-BU1A	VERTICAL,(30) C13,(6) C19,MONITORED SWITCHED, 200-240V/30A/3 PHASE DELTA , TOP-END FED, 1 METER INPUT CORD, BLUE	BLUE (RAL 5005)	1M(+178MM-89MM) 3.3'[+3.5'-1.75"]	8.6kg
P36E34M-BU1B	VERTICAL,(30) C13,(6) C19,MONITORED SWITCHED, 200-240V/30A/3 PHASE DELTA , TOP-END FED, 2 METER INPUT CORD, BLUE	BLUE (RAL 5005)	2M(+178MM-89MM) 6.5'[+7'-3.5"]	9.0kg
P36E34M-BU1C	VERTICAL,(30) C13,(6) C19,MONITORED SWITCHED, 200-240V/30A/3 PHASE DELTA , TOP-END FED, 3 METER INPUT CORD, BLUE	BLUE (RAL 5005)	3M(+254MM-127MM) 10'[+10'-5"]	9.4kg
P36E34M-GN1A	VERTICAL,(30) C13,(6) C19,MONITORED SWITCHED, 200-240V/30A/3 PHASE DELTA , TOP-END FED, 1 METER INPUT CORD, GREEN	GREEN (RAL 6001)	1M(+178MM-89MM) 3.3'[+3.5'-1.75"]	8.6kg
P36E34M-GN1B	VERTICAL,(30) C13,(6) C19,MONITORED SWITCHED, 200-240V/30A/3 PHASE DELTA , TOP-END FED, 2 METER INPUT CORD, GREEN	GREEN (RAL 6001)	2M(+178MM-89MM) 6.5'[+7'-3.5"]	9.0kg
P36E34M-GN1C	VERTICAL,(30) C13,(6) C19,MONITORED SWITCHED, 200-240V/30A/3 PHASE DELTA , TOP-END FED, 3 METER INPUT CORD, GREEN	GREEN (RAL 6001)	3M(+254MM-127MM) 10'[+10'-5"]	9.4kg
P36E34M-BL2A	VERTICAL,(30) C13,(6) C19,MONITORED SWITCHED, 200-240V/30A/3 PHASE DELTA , BOTTOM-END FED, 1 METER INPUT CORD, BLACK	BLACK (RAL 9005)	1M(+178MM-89MM) 3.3'[+3.5'-1.75"]	8.6kg
P36E34M-BL2B	VERTICAL,(30) C13,(6) C19,MONITORED SWITCHED, 200-240V/30A/3 PHASE DELTA , BOTTOM-END FED, 2 METER INPUT CORD, BLACK	BLACK (RAL 9005)	2M(+178MM-89MM) 6.5'[+7'-3.5"]	9.0kg
P36E34M-BL2C	VERTICAL,(30) C13,(6) C19,MONITORED SWITCHED, 200-240V/30A/3 PHASE DELTA , BOTTOM-END FED, 3 METER INPUT CORD, BLACK	BLACK (RAL 9005)	3M(+254MM-127MM) 10'[+10'-5"]	9.4kg
P36E34M-RD2A	VERTICAL,(30) C13,(6) C19,MONITORED SWITCHED, 200-240V/30A/3 PHASE DELTA , BOTTOM-END FED, 1 METER INPUT CORD, RED	RED (RAL 3020)	1M(+178MM-89MM) 3.3'[+3.5'-1.75"]	8.6kg
P36E34M-RD2B	VERTICAL,(30) C13,(6) C19,MONITORED SWITCHED, 200-240V/30A/3 PHASE DELTA , BOTTOM-END FED, 2 METER INPUT CORD, RED	RED (RAL 3020)	2M(+178MM-89MM) 6.5'[+7'-3.5"]	9.0kg
P36E34M-RD2C	VERTICAL,(30) C13,(6) C19,MONITORED SWITCHED, 200-240V/30A/3 PHASE DELTA , BOTTOM-END FED, 3 METER INPUT CORD, RED	RED (RAL 3020)	3M(+254MM-127MM) 10'[+10'-5"]	9.4kg
P36E34M-WH2A	VERTICAL,(30) C13,(6) C19,MONITORED SWITCHED, 200-240V/30A/3 PHASE DELTA , BOTTOM-END FED, 1 METER INPUT CORD, WHITE	WHITE (RAL 9003)	1M(+178MM-89MM) 3.3'[+3.5'-1.75"]	8.6kg
P36E34M-WH2B	VERTICAL,(30) C13,(6) C19,MONITORED SWITCHED, 200-240V/30A/3 PHASE DELTA , BOTTOM-END FED, 2 METER INPUT CORD, WHITE	WHITE (RAL 9003)	2M(+178MM-89MM) 6.5'[+7'-3.5"]	9.0kg
P36E34M-WH2C	VERTICAL,(30) C13,(6) C19,MONITORED SWITCHED, 200-240V/30A/3 PHASE DELTA , BOTTOM-END FED, 3 METER INPUT CORD, WHITE	WHITE (RAL 9003)	3M(+254MM-127MM) 10'[+10'-5"]	9.4kg
P36E34M-YL2A	VERTICAL,(30) C13,(6) C19,MONITORED SWITCHED, 200-240V/30A/3 PHASE DELTA , BOTTOM-END FED, 1 METER INPUT CORD, YELLOW	YELLOW (RAL 1023)	1M(+178MM-89MM) 3.3'[+3.5'-1.75"]	8.6kg
P36E34M-YL2B	VERTICAL,(30) C13,(6) C19,MONITORED SWITCHED, 200-240V/30A/3 PHASE DELTA , BOTTOM-END FED, 2 METER INPUT CORD, YELLOW	YELLOW (RAL 1023)	2M(+178MM-89MM) 6.5'[+7'-3.5"]	9.0kg
P36E34M-YL2C	VERTICAL,(30) C13,(6) C19,MONITORED SWITCHED, 200-240V/30A/3 PHASE DELTA , BOTTOM-END FED, 3 METER INPUT CORD, YELLOW	YELLOW (RAL 1023)	3M(+254MM-127MM) 10'[+10'-5"]	9.4kg
P36E34M-BU2A	VERTICAL,(30) C13,(6) C19,MONITORED SWITCHED, 200-240V/30A/3 PHASE DELTA , BOTTOM-END FED, 1 METER INPUT CORD, BLUE	BLUE (RAL 5005)	1M(+178MM-89MM) 3.3'[+3.5'-1.75"]	8.6kg
P36E34M-BU2B	VERTICAL,(30) C13,(6) C19,MONITORED SWITCHED, 200-240V/30A/3 PHASE DELTA , BOTTOM-END FED, 2 METER INPUT CORD, BLUE	BLUE (RAL 5005)	2M(+178MM-89MM) 6.5'[+7'-3.5"]	9.0kg
P36E34M-BU2C	VERTICAL,(30) C13,(6) C19,MONITORED SWITCHED, 200-240V/30A/3 PHASE DELTA , BOTTOM-END FED, 3 METER INPUT CORD, BLUE	BLUE (RAL 5005)	3M(+254MM-127MM) 10'[+10'-5"]	9.4kg
P36E34M-GN2A	VERTICAL,(30) C13,(6) C19,MONITORED SWITCHED, 200-240V/30A/3 PHASE DELTA , BOTTOM-END FED, 1 METER INPUT CORD, GREEN	GREEN (RAL 6001)	1M(+178MM-89MM) 3.3'[+3.5'-1.75"]	8.6kg
P36E34M-GN2B	VERTICAL,(30) C13,(6) C19,MONITORED SWITCHED, 200-240V/30A/3 PHASE DELTA , BOTTOM-END FED, 2 METER INPUT CORD, GREEN	GREEN (RAL 6001)	2M(+178MM-89MM) 6.5'[+7'-3.5"]	9.0kg
P36E34M-GN2C	VERTICAL,(30) C13,(6) C19,MONITORED SWITCHED, 200-240V/30A/3 PHASE DELTA , BOTTOM-END FED, 3 METER INPUT CORD, GREEN	GREEN (RAL 6001)	3M(+254MM-127MM) 10'[+10'-5"]	9.4kg

B

B



A

A

WE ASK THAT YOU CHECK FULLY THE DIMENSIONS, NOTES, AND SIGN THE CLIENT SIGNATURE BOX. THE JOB WILL NOT PROGRESS WITHOUT SIGNED APPROVAL. PLEASE DO NOT DELAY IN RETURNING PROOF AS IT WILL AFFECT DELIVERY		SIGN
		DATE
		PRINT
TITLE INTELLIGENT SERIES PDU P36E34M-XYZ CUSTOMER DRAWING		
ITEM REVISION NAME		
DATASHEET FILE NAME:		
UNLESS OTHERWISE SPECIFIED DIMENSIONAL TOLERANCE ARE: mm [IN]		MATERIAL/COLOR:
Tolerance(mm) 0<450 ±0.5 50<4250 ±1.0 250<4500 ±1.5 500<41000 ±2.5 1000<42000 ±4.0		N/A
THIRD ANGLE PROJECTION		DRAWING NUMBER: P36E34M_DC
DRAWN BY WSJ	DATE 10/09/2017	CHK SEAN
SCALE NONE		SHT 2 OF 2
		SCALE B

REV	DATE	BY	CHK	APR	DESCRIPTION	ECN
02A	06/07/2018	H.XU	MIM	JAWI	ADDED SHEET 2 WITH CONFIGURABLE PART NUMBER TABLE AND DESCRIPTION UPDATED IDENTIFICATION TO INCLUDE CONFIGURABLE OPTION DE-CODER UPDATED CIRCUIT BREAKER LABELS WITH ROTATED TEXT	P36E34M
01A	10/09/2017	WSJ	MIM	EDM	INITIAL RELEASE	P36E34M

2



1