

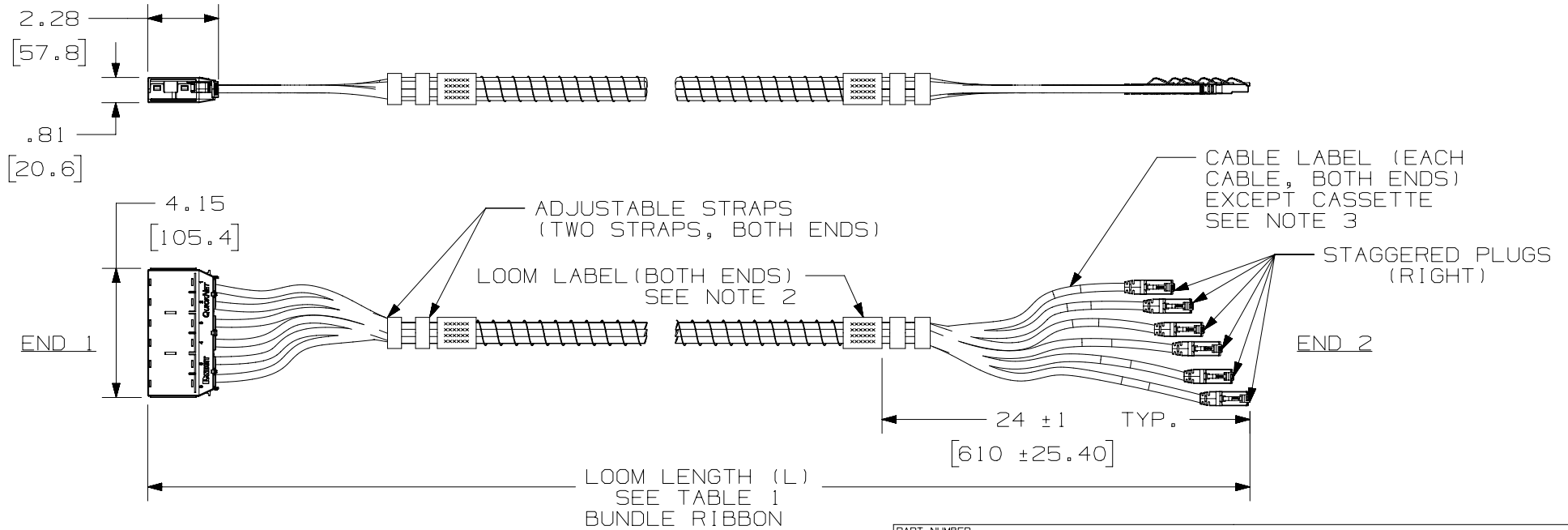
THIS COPY IS PROVIDED ON A RESTRICTED BASIS AND IS NOT TO BE USED IN ANY WAY DETRIMENTAL TO THE INTERESTS OF PANDUIT CORP.

TABLE 1

LOOM LENGTH (L)	LENGTH TOLERANCE
10-100 FT. (3-30M)	+6"/-0" (+.15M/-0)
101-200 FT. (31-60M)	+12"/-0" (+.3M/-0)
201-295 FT. (61-90M)	+24"/-0" (+.6M/-0)

NOTES:

1. LOOM LENGTH (L) IS DEFINED AS THE MAXIMUM LENGTH FOR ANY CASSETTE, JACK, PLUG, OR UN-TERMINATED END CONFIGURATION.
2. THE LOOM LABELS CONTAIN A LOOM PART NUMBER, LOOM LENGTH, CABLE PERFORMANCE, AND A UNIQUE LOOM SERIAL NUMBER.
3. THE CABLE LABELS CONTAIN THE CABLE #1-6.
4. EACH CABLE IS PRINTED WITH NUMBERS 1-6 ALONG THE ENTIRE LENGTH OF THE LOOM FOR EASY IDENTIFICATION.
5. CASSETTES ARE COMPATIBLE WITH QPP/QAPP FAMILY OF QUICKNET PATCH PANELS.



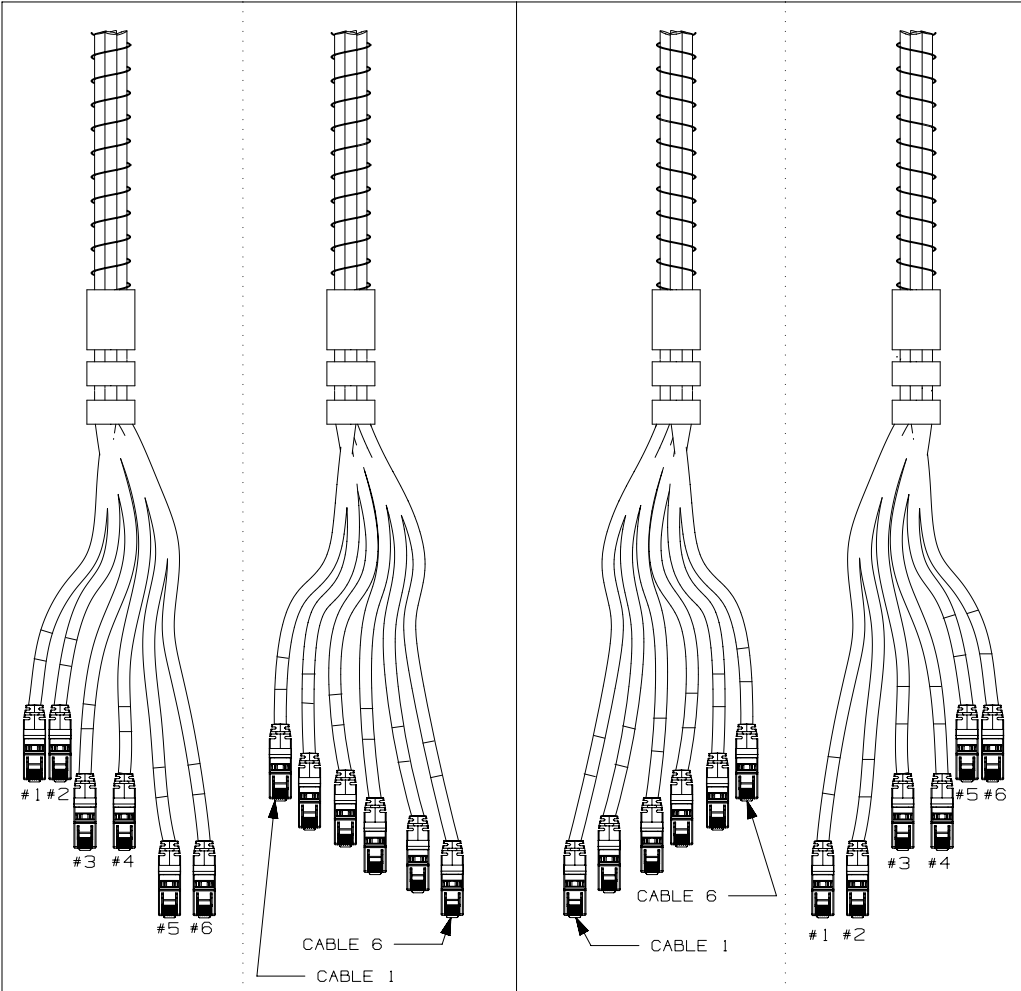
*CASSETTE/STAGGER PLUGS SHOWN FOR EXAMPLE ONLY

PART NUMBER		SEE SHEET 4	
TITLE			
QuickNet CTO (CONFIGURE TO ORDER)			
CUSTOMER DRAWING			
ITEM REVISION NAME		M02582GF/00	
DATASET FILE NAME		M02582GF_DC146/00B	
UNLESS OTHERWISE SPECIFIED, DIMENSIONAL TOLERANCES ARE: IN (mm)		MATERIAL:	
.x ± .xx ± .03 (.8)		NA	
.xxx ± .010 (.3)		DRAWING NUMBER:	
ANGLES ±		02582-146	
THIRD ANGLE PROJECTION		SHT 1 OF 4	
DRAWN BY	DATE	CHK	SCALE
MDJR	3-26-15	WFMI	NONE
REV	DATE	BY	CHK
1	9-6-16	BJN	WFMI
R	4-01-15	MDJR	WFMI

REV	DATE	BY	CHK	APR	DESCRIPTION	ECN
1	9-6-16	BJN	WFMI	RWB	UPDATED P/N TABLE ON SHEET 4	02582-146
R	4-01-15	MDJR	WFMI	RWB	RELEASED TO PRODUCTION	02582-146

D10100DA/14

THIS COPY IS PROVIDED ON A RESTRICTED BASIS AND IS NOT TO BE USED IN ANY WAY DETRIMENTAL TO THE INTERESTS OF PANDUIT CORP.



PAIR STAGGER (PLUG OR JACK)	PLUG OR JACK	PLUG OR JACK	PAIR STAGGER (PLUG OR JACK)
STAGGER LEFT OPTION (END 1 AND/OR END 2)		STAGGER RIGHT OPTION (END 1 AND/OR END 2)	



UNTERMINATED END OPTION
(END 2 ONLY)

PART NUMBER		SEE SHEET 4	
TITLE			
QuickNet CTO (CONFIGURE TO ORDER)			
CUSTOMER DRAWING			
ITEM REVISION NAME		M02582GF/00	
DATASET FILE NAME		M02582GF_DC146/00B	
UNLESS OTHERWISE SPECIFIED, DIMENSIONAL TOLERANCES ARE: IN (mm)			
.x ± .xxx ± .010 (.3) .xx ± .03 (.8) ANGLES ±			
DRAWN BY		DATE	CHK
MDJR		3-27-15	WFM
SCALE		NONE	
DRAWING NUMBER:		02582-146	
REV		DATE	BY
MDJR		3-27-15	WFM
DESCRIPTION		ECN	SIZE
SEE SHEET 1 FOR CHANGES		02582-146	A
SEE SHEET 1 FOR CHANGES		02582-146	A
SHT 2 OF 4			

D10100DA/14

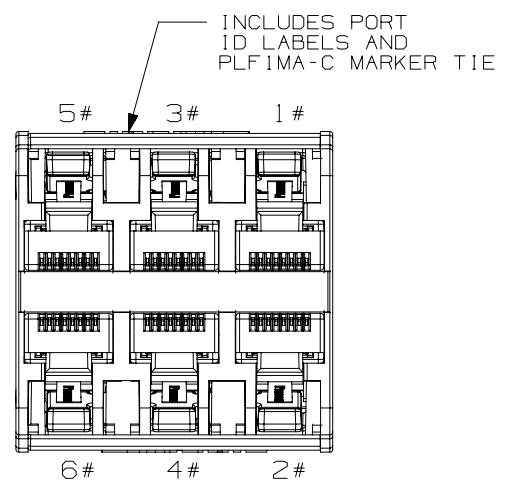
2

1

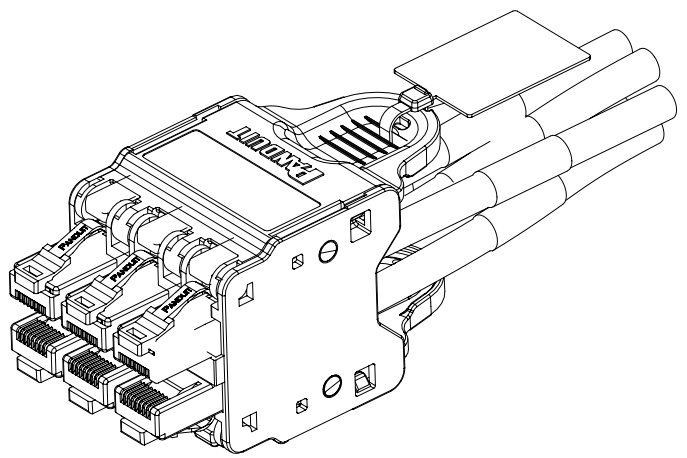
2

1

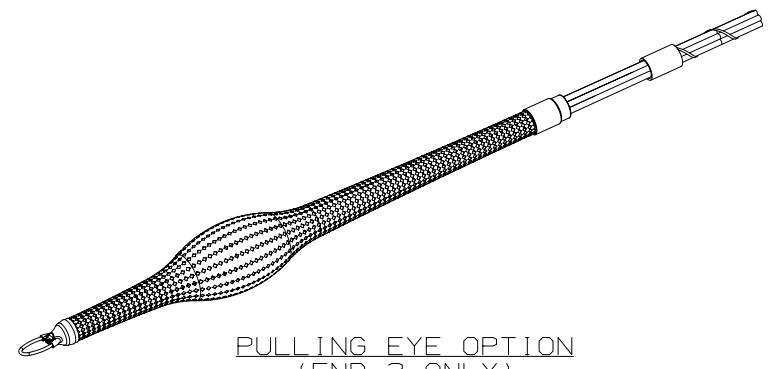
THIS COPY IS PROVIDED ON A RESTRICTED BASIS AND IS NOT TO BE USED IN ANY WAY DETRIMENTAL TO THE INTERESTS OF PANDUIT CORP.



PORT LOCATIONS
(PLUG PACK FRONT VIEW)



PLUG PACK OPTION
(END 2 ONLY)



PULLING EYE OPTION
(END 2 ONLY)

PART NUMBER		SEE SHEET 4	
TITLE			
QuickNet CTO (CONFIGURE TO ORDER)			
CUSTOMER DRAWING			
ITEM REVISION NAME		M02582GF/00	
DATASET FILE NAME		M02582GF_DC146/00B	
UNLESS OTHERWISE SPECIFIED, DIMENSIONAL TOLERANCES ARE: IN (mm)			
.x ± .xx ± .03 (.8) 			
.xxx ± .010 (.3) ANGLES ±		MATERIAL:	
		N/A	
		DRAWING NUMBER:	
		02582-146	
DRAWN BY	DATE	CHK	SCALE
MDJR	3-27-15	WFMI	NONE
SHT 3 OF 4		SIZE	
		A	

REV	DATE	BY	CHK	APR	DESCRIPTION	ECN
1	9-6-16	BJN	WFMI	RWB	SEE SHEET 1 FOR CHANGES.	02582-146
R	4-01-15	MDJR	WFMI	RWB	SEE SHEET 1 FOR CHANGES.	02582-146

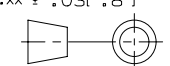
D10100DA/14

THIS COPY IS PROVIDED ON A RESTRICTED BASIS AND IS NOT TO BE USED IN ANY WAY DETRIMENTAL TO THE INTERESTS OF PANDUIT CORP.

COPPER PRE-TERMINATED CTO PART NUMBERING

PN Characters	1	2	3	4	5	6	7	8,9,10,11	12	13-15
Attribute	Type & Bundle Size	Cable Type	Cable Flame Rating	Cable Color	End 1 Configuration	End 2 Configuration	Jack Color	Serial	Length Units	Length
CODES & DESCRIPTIONS	Q-Trunk-6	B-UTP CAT6e	C-CM	B-BLUE	C-CASSETTE	A-PLUG PACK	B-BLUE	XXXX-Alpha Numeric Serial	F- FEET	003-295 (feet)
		C-UTP CAT6	D-LSZH & CM DUAL-RATED	D-DARK GRAY	J-JACK	C-CASSETTE	C-COMBINATION (DIFF COLOR JACKS ON ENDS)		M- METERS	005-090 (meters)
		D-UTP CAT5e	L-LSZH	G-GREEN	K-JACK-RIGHT STAGGER	J-JACK	E-ELECTRIC IVORY			
		E-STP CAT6A U/FTP	P-PLENUM (CMP)	I-INTERNATIONAL GRAY	L-JACK-LEFT STAGGER	K-JACK-RIGHT STAGGER	G-GREEN			
		H-CAT6A-S/FTP	R-RISER (CMR)	L-BLACK	P-PLUG	L-JACK-LEFT STAGGER	H-OFF WHITE			
		J-CAT6A-F/UTP	Z-LSZH-3	N-ORANGE	Q-PLUG-RIGHT STAGGER	P-PLUG	I-INTERNATIONAL GRAY			
		L-CAT6-F/UTP		P-PASTEL BLUE	S-PLUG-LEFT STAGGER	Q-PLUG-RIGHT STAGGER	L-BLACK			
		U-STP CAT6A-PATCH		R-RED	T-PLUG-RIGHT PAIR STAGGER	R-RECESSED PLUG PACK	N-ORANGE			
		X-UTP CAT6A SD CABLE		V-VIOLET	V-PLUG-LEFT PAIR STAGGER	S-PLUG-LEFT STAGGER	R-RED			
		Z-UTP CAT6A-MATRIX CABLE		W-WHITE	Y-JACK-RIGHT PAIR STAGGER	T-PLUG-RIGHT PAIR STAGGER	V-VIOLET			
				Y-YELLOW	Z-JACK-LEFT PAIR STAGGER	U-UNTERMINATED	W-WHITE			
						V-PLUG-LEFT PAIR STAGGER	X-NO COLOR (PLUG ONLY)			
						Y-JACK-RIGHT PAIR STAGGER	Y-YELLOW			
						Z-JACK-LEFT PAIR STAGGER				

TRUNK EXAMPLE: DESCRIPTION
 QCRBCCBXXXXFO10: QUICKNET 6-CABLE TRUNK, CAT6 UTP, RISER, BLUE CABLE, CASSETTE-CASSETTE (BLUE,BLUE), 10 FEET

PART NUMBER		SEE TABLE ABOVE	
TITLE		QuickNet CTO (CONFIGURE TO ORDER)	
		CUSTOMER DRAWING	
ITEM REVISION NAME	M02582GF/00		
DATASET FILE NAME	M02582GF_DC146/00B		
UNLESS OTHERWISE SPECIFIED, DIMENSIONAL TOLERANCES ARE: IN (mm)		MATERIAL:	
.x ±	.xxx ± .010 (.3)	N/A	
.xx ± .03 (.8)	ANGLES ±	DRAWING NUMBER:	
		02582-146	
DRAWN BY	DATE	CHK	SCALE
MDJR	3-27-15	WFMI	NONE
SHT 4 OF 4			SIZE
			A

REV	DATE	BY	CHK	APR	DESCRIPTION	ECN
1	9-6-16	BJN	WFMI	RWB	SEE SHEET 1 FOR CHANGES.	02582-146
R	4-01-15	MDJR	WFMI	RWB	SEE SHEET 1 FOR CHANGES.	02582-146

D10100DA/14