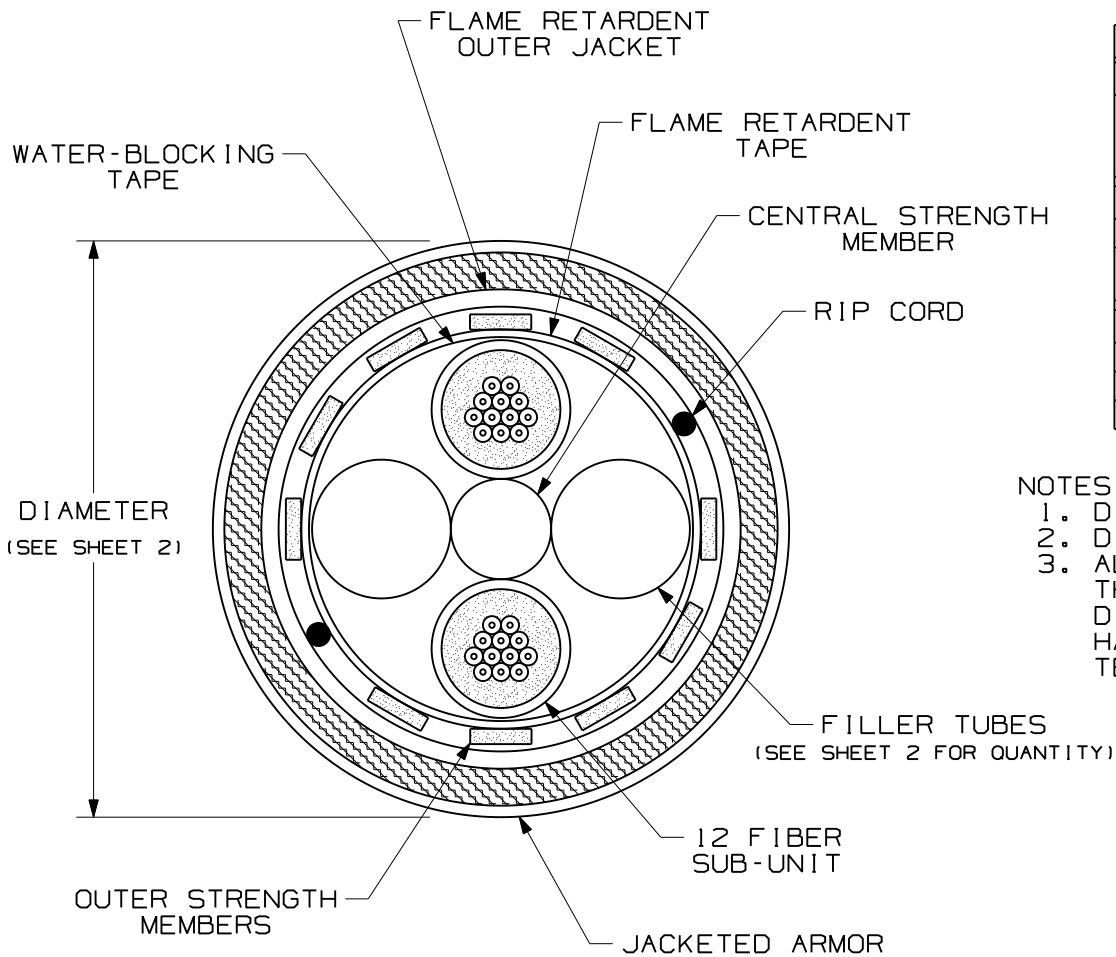


THIS COPY IS PROVIDED ON A RESTRICTED BASIS AND IS NOT TO BE USED IN ANY WAY DETRIMENTAL TO THE INTERESTS OF PANDUIT CORP.



TECHNICAL SPECIFICATIONS		
MAXIMUM LOSS		SINGLEMODE MAXIMUM LOSS
3.5 dB/KM @ 850nm 1.5 dB/KM @ 1300nm		.75 dB/KM @ 1310nm .75 dB/KM @ 1500nm
TENSILE LOAD - RISER RATED		
INSTALLATION		LONG TERM
2700 N (600 lbf)		800 N (180 lbf)
OPERATION	OFCR	OFCP/LSZH
OPERATION	-20° C TO +50° C (-4° F TO +122° F)	0° C TO +50° C (+32° F TO +122° F)
INSTALLATION		
STORAGE	-40° C TO +65° C (-40° F TO +149° F)	

NOTES:

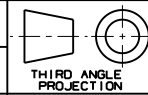
1. DIAMETER DIMENSION, SHOWN FOR REFERENCE ONLY.
2. DIMENSIONS IN BRACKETS () ARE ENGLISH.
3. ALL MATERIALS AND COMPONENTS USED MUST MEET THE MATERIAL RESTRICTIONS OF RoHS (EUROPEAN DIRECTIVE 2002/95/EC ON THE RESTRICTION OF HAZARDOUS SUBSTANCES) AS PROPOSED BY THE RoHS TECHNICAL ADAPTATION COMMITTEE.

REV	DATE	BY	CHK	DESCRIPTION	ECN	R	CUST	SUP	OTH
01	10-27-09	EFK		RELEASED TO PRODUCTION	02055-180				

OPTI-CORE 24 FIBER INDOOR-OUTDOOR ARMORED CABLE WITH (2) 12 FIBER SUB-UNITS
CUSTOMER DRAWING



PANDUIT™
CORP.
TINLEY PARK, ILL 60477



ALL DIMENSIONS ARE GIVEN IN INCHES, UNLESS OTHERWISE SPECIFIED.
DIMENSIONAL TOLERANCES ARE:
(.X) (.XXX) ± 0.3 (.010)
(.XX) ± 0.8 (.03) ANGLES

DRAWING FILENAME
M02055BY_DC_24/00B
SCALE
NONE


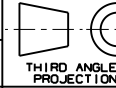
DRAWN BY
EFK
DATE
06-21-07
CHK'D
WMA

REVIEW DRAWING NUMBERS

PART NO. FSM**24Y
FOM**24Y
DRAWING NO.
02055-180
SHEET 1 OF 2
SIZE
A

PANDUIT PART NUMBER	FIBER TYPE	JACKET RATING	DIAMETER	BEND RADIUS		FILLER TUBE QUANTITY
				INSTALLED	LONG TERM	
FSMR924Y	SINGLEMODE 9/125µM	OFCR	18.1mm [0.713"]	41.4cm [16.3]	20.7cm [8.2"]	2
FSMP924Y		OFCP				
FSML924Y		OFCR-LS	17.4mm [0.685"]	40.6cm [16.0"]	20.3cm [8.0"]	
FSMR524Y	MULTIMODE 50/125µM	OFCR	18.1mm [0.713"]	41.4cm [16.3"]	20.7cm [8.2"]	
FSMP524Y		OFCP				
FSML524Y		OFCR-LS	17.4mm [0.685"]	40.6cm [16.0"]	20.3cm [8.0"]	
FSMR624Y	MULTIMODE 62.5/125µM	OFCR	18.1mm [0.713"]	41.4cm [16.3"]	20.7cm [8.2"]	
FSMP624Y		OFCP				
FSML624Y		OFCR-LS	17.4mm [0.685"]	40.6cm [16.0"]	20.3cm [8.0"]	
FOMRX24Y	MULTIMODE 50/125µM OM3	OFCR	18.1mm [0.713"]	41.4cm [16.3"]	20.7cm [8.2"]	
FOMPX24Y		OFCP				
FOMLX24Y		OFCR-LS	17.4mm [0.685"]	40.6cm [16.0"]	20.3cm [8.0"]	
FOMRZ24Y	MULTIMODE 50/125µM OM4	OFCR	18.1mm [0.713"]	41.4cm [16.3"]	20.7cm [8.2"]	
FOMPZ24Y		OFCP				

REV	DATE	BY	CHK	DESCRIPTION	ECN	R	CUST	SUP	OTH
01	10-27-09	EFK		RELEASED TO PRODUCTION	02055-180				

			PANDUIT ™ CORP. TINLEY PARK, ILL 60477		
 THIRD ANGLE PROJECTION			ALL DIMENSIONS ARE GIVEN IN INCHES, UNLESS OTHERWISE SPECIFIED. DIMENSIONAL TOLERANCES ARE: (.X) (.XXX)±0.3 (.010) (.XX)±0.8 (.03) ANGLES		
DRAWN BY: EFK			REVIEW DRAWING NUMBERS		
DATE: 06-21-07			DRAWING FILENAME: M02055BY_DC_24/00B		
CHK'D: WMA			SCALE: NONE		
			PART NO. FSM**24Y FOM**24Y		
			DRAWING NO. 02055-180		
			SHEET 2 OF 2		
			SIZE A		