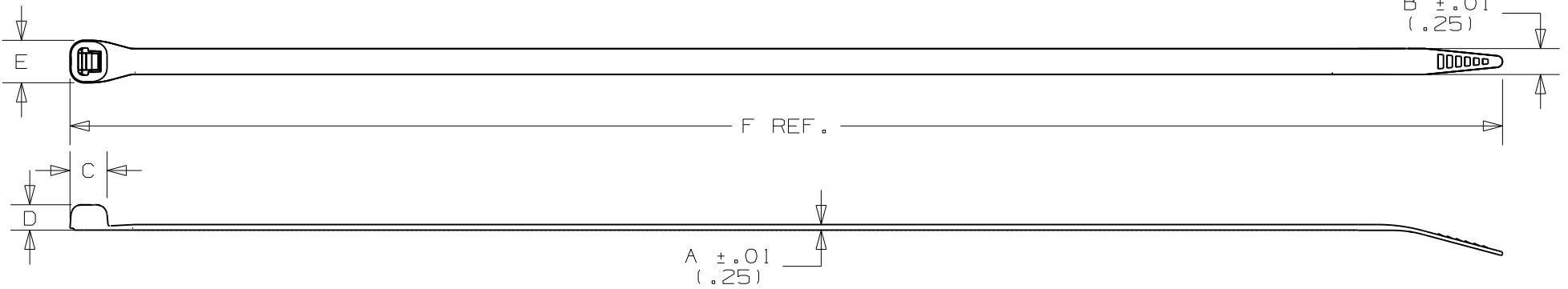


THIS COPY IS PROVIDED ON A RESTRICTED BASIS AND IS NOT TO BE USED IN ANY WAY DETRIMENTAL TO THE INTERESTS OF PANDUIT CORP.



PANDUIT PART NO.	BUNDLE DIA.		A in (mm)	B in (mm)	C in (mm)	D in (mm)	E in (mm)	F in (mm)	MIN. LOOP TENSILE lbs. (N)	MATERIAL	WEIGHT 100 pcs lbs. (g)
	MIN. in (mm)	MAX. in (mm)									
PLT200	.06 (1.5)	2.0 (51)	.046 (1.2)	.225 (5.7)	.290 (7.4)	.220 (5.6)	.342 (8.7)	8.3 (210.8)	50 (222)	NATURAL	.30 (137)
PLT200B	.06 (1.5)	2.0 (51)	.046 (1.2)	.225 (5.7)	.290 (7.4)	.220 (5.6)	.342 (8.7)	8.3 (210.8)	50 (222)	BLACK	.30 (137)
PLT250	.16 (4.1)	2.6 (66)	.050 (1.3)	.225 (5.7)	.318 (8.1)	.220 (5.6)	.360 (9.1)	10.4 (264.2)	75 (334)	NATURAL	.41 (185)
PLT250B	.16 (4.1)	2.6 (66)	.050 (1.3)	.225 (5.7)	.318 (8.1)	.220 (5.6)	.360 (9.1)	10.4 (264.2)	75 (334)	BLACK	.41 (185)
PLT300	.16 (4.1)	3.2 (81)	.050 (1.3)	.225 (5.7)	.318 (8.1)	.220 (5.6)	.360 (9.1)	12.4 (315.0)	75 (334)	NATURAL	.49 (220)
PLT300B	.16 (4.1)	3.2 (81)	.050 (1.3)	.225 (5.7)	.318 (8.1)	.220 (5.6)	.360 (9.1)	12.4 (315.0)	75 (334)	BLACK	.49 (220)
PLT370S	.16 (4.1)	4.2 (107)	.052 (1.3)	.225 (5.7)	.330 (8.4)	.220 (5.6)	.360 (9.1)	15.3 (388.6)	75 (334)	NATURAL	.61 (278)
PLT370SB	.16 (4.1)	4.2 (107)	.052 (1.3)	.225 (5.7)	.330 (8.4)	.220 (5.6)	.360 (9.1)	15.3 (388.6)	75 (334)	BLACK	.61 (278)

DIMENSIONS IN PARENTHESIS ARE IN METRIC UNITS

PANDUIT CORP. TINLEY PARK, ILLINOIS

JAPANESE 100 SERIES
SUPER-GRIP CABLE TIES

UNLESS OTHERWISE SPECIFIED,
DIMENSIONAL TOLERANCES ARE:
(.X) ± (.XXX) ± .020 (.50)
(.XX) ± .02 (.5) ANGLES ±

UNLESS OTHERWISE SPECIFIED,
ALL DIMENSIONS ARE GIVEN
IN INCHES, THIRD ANGLE PROJECTION.

REV	DATE	BY	CHK	DESCRIPTION	ECN	R	CUST	SUP
6	11/28/07	ERW		CHANGED PLT250/300/370 MIN. LOOP TENSILE STRENGTH FROM 70 LBS. TO 75 LBS.	27186	6		
5	3/02/06	FAB	BOBK	ADDED PLT370S AND PLT370B	27186	5	BOBK	
4	6/30/05	JABO	BOBK	ADDED PLT200 AND PLT200B	27186	4	BOBK	

DRAWN BY
MJVE
DATE
12/10/04
CHK'D
TGS

MAT'L:
NYLON 6.6

SCALE
NONE
DRAWING NO.
SS-27186
SHEET 2
DWG
A
SIZE