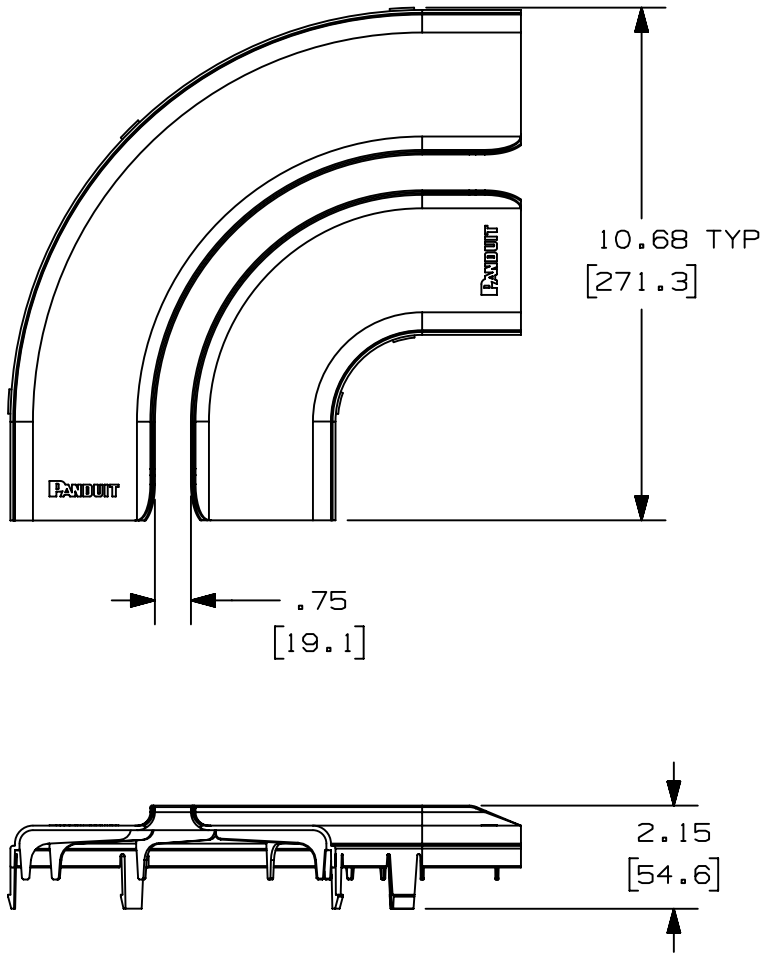


2

1

THIS COPY IS PROVIDED ON A RESTRICTED BASIS AND IS NOT TO BE USED IN ANY WAY DETRIMENTAL TO THE INTERESTS OF PANDUIT CORP.

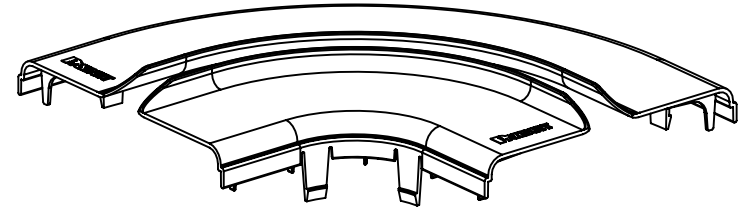


PANDUIT PART NUMBER	WEIGHT	MATERIAL
FRRASC6**	0.4 LB/EACH (181g/EACH)	ABS
FRRASC6L**	0.4 LB/EACH (181g/EACH)	PC/ABS



NOTES:

1. SEE CURRENT CATALOG FOR ADDITIONAL PART SUFFIXES TO INDICATE COLOR AND/OR PACKAGE QUANTITY.
2. THE FIBERRUNNER 6x4 HORIZONTAL RIGHT ANGLE SPLIT COVER REQUIRES NO TOOLS FOR INSTALLATION AND/OR REMOVAL. THE SPLIT COVER CREATES A 3/4" (19.1) RADIUSED OPENING TO ALLOW FOR NEW CABLES TO BE ADDED WITHOUT THE NEED FOR REMOVING THE COVERS.
3. DIMENSIONS IN PARENTHESES ARE IN METRIC.



TITLE		FIBERRUNNER 6x4 HORIZONTAL RIGHT ANGLE SPLIT COVER (FRRASC6**, FRRASC6L**)		
ITEM REVISION NAME		D37185EU/01		
DATASET FILE NAME		D37185EU/01		
UNLESS OTHERWISE SPECIFIED, DIMENSIONAL TOLERANCES ARE:		(.X) ± (.XXX) ± (.XX) ± .03 (.8) ANGLES ±		
THIRD ANGLE PROJECTION				
DRAWN BY		DATE	CHK	SCALE
REWE		5-4-00	HIW	NONE
MATERIAL:		SEE PART # TABLE ABOVE		
DRAWING NUMBER:		37185-67		
REV		DATE	BY	CHK
03A	1-14-20	MES	DWR	DWR
DESCRIPTION		I. ADDED FRRASC6L** PART NUMBER		ECN
				V09002DZ/01
SHT 1 OF 1		SIZE		A

2

1

ANGLOBAL-ASIZE