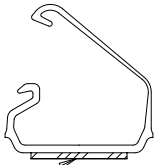


THIS COPY IS PROVIDED ON A RESTRICTED BASIS AND IS NOT TO BE USED IN ANY WAY DETRIMENTAL TO THE INTERESTS OF PANDUIT CORP.

OPEN VIEW

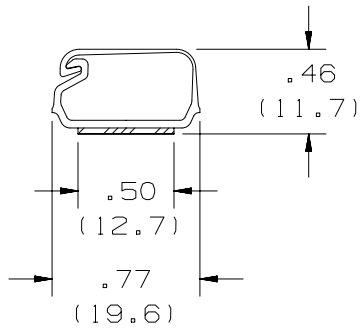


ADHESIVE BACKING
PRESSURE SENSITIVE
FOAM .040 (1.0) THICK
WITH PROTECTIVE LINER.

PART NAME	PANDUIT PART NUMBER (SEE NOTE 1)	COLOR	LENGTH in. (mm.)	STATIC LOAD (SEE NOTE 2)	APPROX. WEIGHT
LATCHING DUCT	LD3**6-A	-----	72.0±.13 (1829±3.3)	.30 lbs/in (5.4 g/mm)	.045 lbs/ft (.067 g/mm)
LATCHING DUCT	LD3**8-A	-----	96.0±.13 (2438±3.3)	.30 lbs/in (5.4 g/mm)	.045 lbs/ft (.067 g/mm)
LATCHING DUCT	LD3**10-A	-----	120.0±.13 (3048±3.3)	.30 lbs/in (5.4 g/mm)	.045 lbs/ft (.067 g/mm)
LATCHING DUCT	LD3**2-A	-----	78.74±.13 (2000.0±3.3)	.30 lbs/in (5.4 g/mm)	.045 lbs/ft (.067 g/mm)
LATCHING DUCT	LD3**3-A	-----	118.11±.13 (3000.0±3.3)	.30 lbs/in (5.4 g/mm)	.045 lbs/ft (.067 g/mm)

- NOTES:**
- SEE CURRENT CATALOG FOR ADDITIONAL PART NUMBER SUFFIXES TO INDICATE COLOR AND OR PACKAGE QUANTITY.
 - PART IS DESIGNED TO SUPPORT MAXIMUM WEIGHT ON A CLEAN, DRY, SMOOTH SURFACE. THE SURFACE MUST BE PROPERLY PREPARED IN ACCORDANCE WITH PANDUIT RECOMMENDATIONS.
 - TO APPLY PART:
 - REMOVE PROTECTIVE LINER.
 - PLACE PART IN DESIRED LOCATION.
 - APPLY PRESSURE TO FLAT SURFACE OF PART.

NO WARRANTY, EXPRESSED OR IMPLIED, IS MADE BY PANDUIT WITH RESPECT TO ADHESIVE BOND PERFORMANCE. AMONG OTHER THINGS, THE CONDITIONS UNDER WHICH THESE MOUNTS MAY BE APPLIED AND/OR THE SURFACE TO WHICH THEY MAY BE APPLIED ARE BEYOND PANDUIT'S CONTROL.



DIMENSIONS IN PARENTHESES ARE METRIC.

REV	DATE	BY	CHK	APR	DESCRIPTION	ECN	TITLE	MATERIAL:	DRAWING NUMBER:	SIZE
							LATCHING DUCT LD3 CUSTOMER DRAWING	PVC	SS-20103	A
							ITEM REVISION NAME D20103BA/04	PANDUIT		
							DATASET FILE NAME D20103BA_DC_LD3/04A			
04A	11-06-19	BSN	BETL	ELN	M. UPDATED LENGTH TOLERANCE TO MATCH CONTROL DWG	SS-20103	UNLESS OTHERWISE SPECIFIED, DIMENSIONAL TOLERANCES ARE: IN (mm)			
9	02-20-13	JBN	RTFI	RTFI	L. UPDATED DRAWING BORDER & TITLE BLOCK	SS-20103	.X ± .XX ± .03 (.8)			
							THIRD ANGLE PROJECTION		SS-20103	
							DRAWN BY GDN	SCALE FULL	SHT 1 OF 1	A
							DATE 07-30-85	CHK WJB		

D10100DA/14