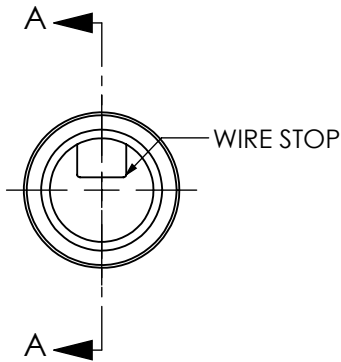
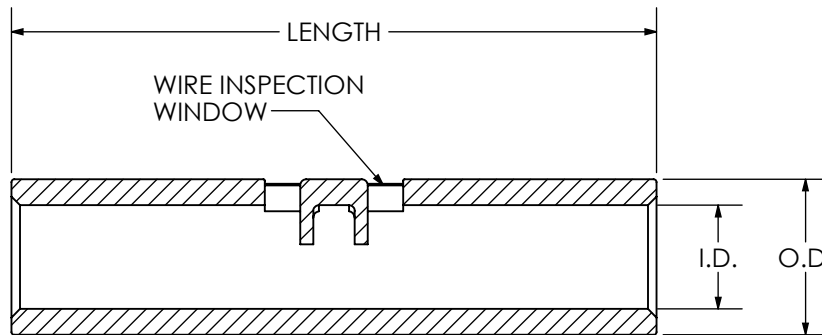
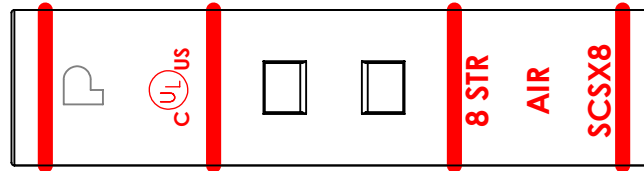


THIS COPY IS PROVIDED ON A RESTRICTED BASIS AND IS NOT TO BE USED IN ANY WAY DETRIMENTAL TO THE INTERESTS OF PANDUIT CORP.

PART NUMBER	WIRE SIZE	WIRE TYPE	WIRE STRIP LENGTH	COLOR CODE	DIE INDEX NUMBER	DIMENSIONS - IN [mm]		
						LENGTH ± .08 [2]	O.D. ± .02 [.5]	I.D. ± .02 [.5]
SCSX8	#8 STR	COMPACT, B, C, G, H, I, K, M, LOCOMOTIVE, MIL-W-5086	9/16"	RED	P21	1.12 [28.5]	0.27 [6.9]	0.18 [4.6]
SCSX6	#6 STR		9/16"	BLUE	P24	1.12 [28.5]	0.31 [7.9]	0.22 [5.6]
SCSX4	#4 STR		5/8"	GRAY	P29	1.18 [30.0]	0.38 [9.7]	0.28 [7.1]
SCSX2/0	#2/0 STR		7/8"	BLACK	P45	1.82 [46.2]	0.64 [16.3]	0.51 [13.0]
SCSX4/0+	#4/0 STR		1-1/16"	PURPLE	P54	2.24 [56.9]	0.81 [20.7]	0.65 [16.5]

+ SCSX4/0 Not UL listed with Class M Wire.



NOTES:

1. MATERIAL: HIGH CONDUCTIVITY SEAMLESS COPPER TUBE
2. PLATING: ELECTRO-TIN
3. SEE WWW.PANDUIT.COM FOR PACKAGING QUANTITIES.



REV	DATE	BY	CHK	APR	DESCRIPTION	ECN
00	12/16	JHNU	JLOV	RGB	DRAWING RELEASED	00127LBK-DC

TITLE		WINDOW SPLICES, SCSX SERIES	
CUSTOMER DRAWING			
ITEM REVISION NAME	00127LBK/00	PANDUIT	MATERIAL
DATASET FILE NAME	00127LBK-DC/00.SLDDRW		
UNLESS OTHERWISE SPECIFIED, DIMENSIONAL TOLERANCES ARE: IN [mm]		TIN PLATED COPPER	
.X ±	.XXX ±	DRAWING NUMBER 00127LBK-DC	
.XX ± .02 [.5]	ANGLES ±		
THIRD ANGLE PROJECTION		DRAWING NUMBER 00127LBK-DC	
DRAWN BY	DATE	CHK	SCALE
JHNU	12/16	RGB	N/A
SHEET 1 OF 1			SIZE A