

Quick start guide - Altistart 22

ANNEX for UL 508 market



S1A1473805

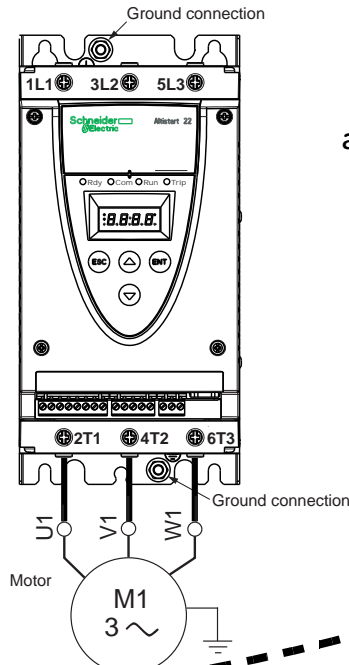
For UL508 compliance for products ATS22C11● to ATS22C59●, order a lug kit option. Refer to the catalog for references and instruction sheet **S1A88413** for the mounting, on www.schneider-electric.com.

Please find the dedicated schematics for North American Market.

5 Connect the soft starter

For ATS22●●●Q or ATS22●●●S6

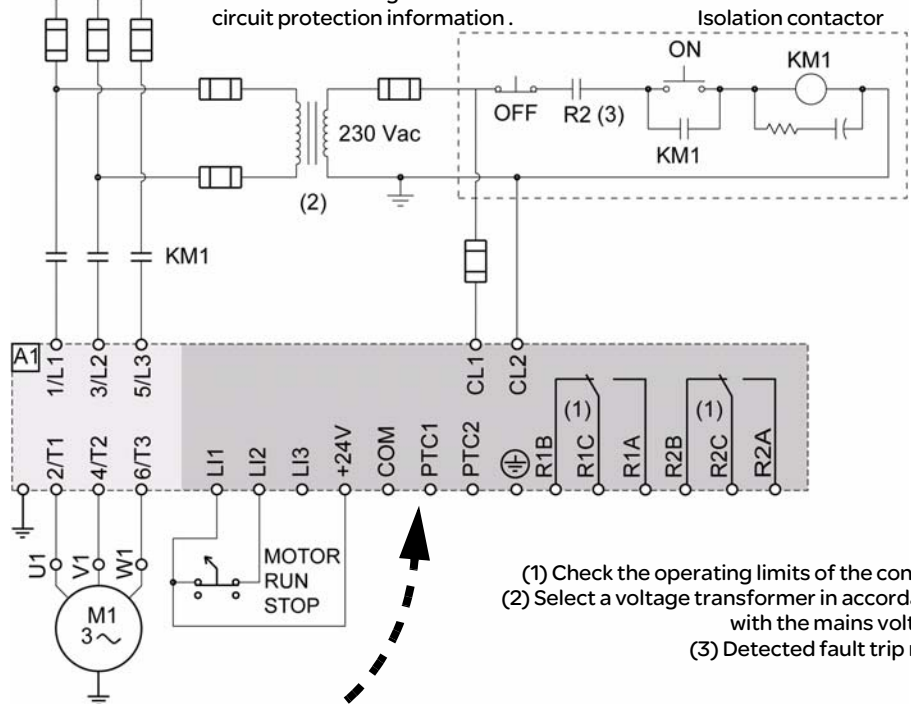
2-wire control, freewheel stop



a) Connect Power:

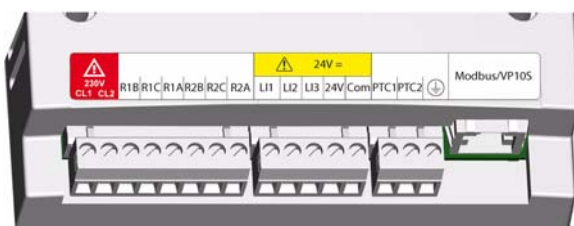
- Wire the soft starter to the ground.
- Wire the soft starter to the line supply: 1/L1 - 3/L2 - 5/L3.
- Check that the motor voltage is compatible with the soft starter voltage.
- Wire the soft starter to the motor.

See page 4 of this document for short-circuit ratings and branch circuit protection information.



- (1) Check the operating limits of the contact.
- (2) Select a voltage transformer in accordance with the mains voltage.
- (3) Detected fault trip relay

b) Connect Control:



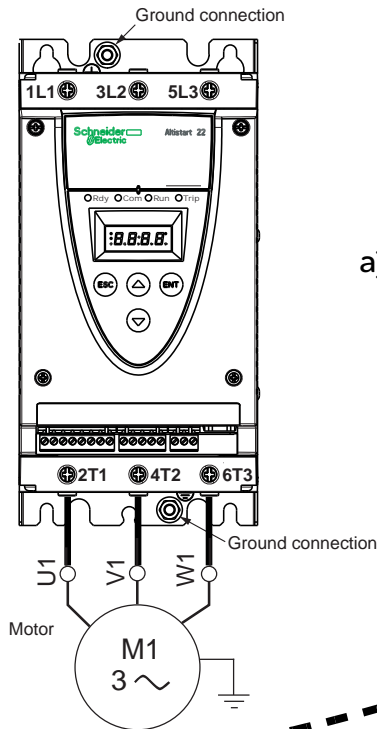
- Check that the control supply is **230V** for CL1 and CL2.
- Remove the red sticker which covers the CL1-CL2 terminals.
- Wire control supply: CL1 and CL2.
- Wire logical inputs: L1 and L2.
- Wire the relay: R2A and R2C.

Note: For additional information in order to size the protective and control devices, refer to the catalog or the user manual (BBV51330) available on www.schneider-electric.com

6 Connect the soft starter

For ATS22●●●S6U

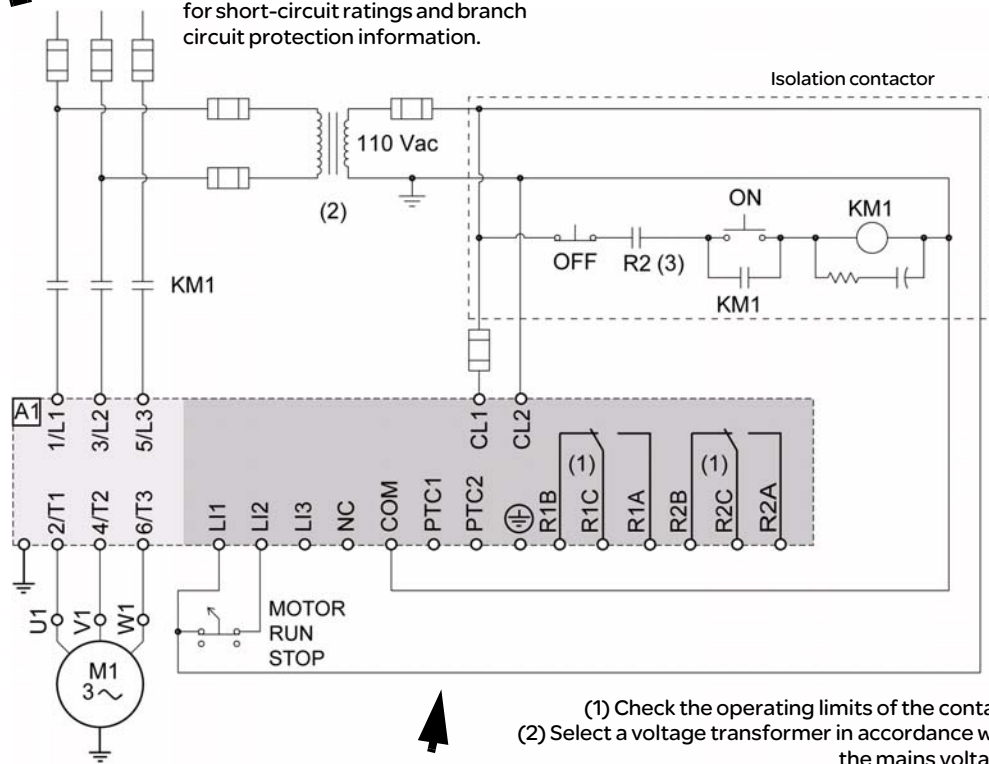
2-wire control, freewheel stop



a) Connect Power:

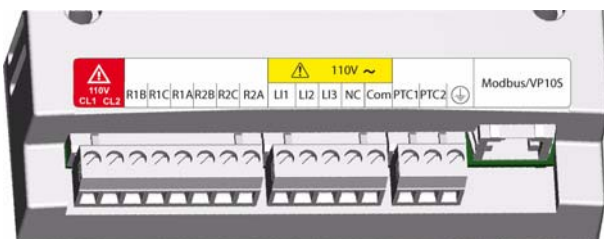
- Wire the soft starter to the ground.
- Wire the soft starter to the line supply: 1/L1 – 3/L2 – 5/L3.
- Check that the motor voltage is compatible with the soft starter voltage.
- Wire the soft starter to the motor.

See page 3 and 4 of this document for short-circuit ratings and branch circuit protection information.



- (1) Check the operating limits of the contact.
- (2) Select a voltage transformer in accordance with the mains voltage.
- (3) Detected fault trip relay

b) Connect Control:



- Check that the control supply is **110V** for CL1 and CL2.
- Remove the red sticker which covers the CL1-CL2 terminals.
- Wire control supply: CL1 and CL2.
- Wire logical inputs: LI1 and LI2.
- Wire the relay: R2A and R2C.

Note: For additional information in order to size the protective and control devices, refer to the catalog or the user manual (BBV51330) available on www.schneider-electric.com

ATS22●●●S6U Combination Short Circuit Current Ratings (SCCR)

The table shows recommended combination ratings with fuse or circuit breaker protective device for ATS22●●●S6U.

Altistart 22			SCCR Ratings ⁵						TeSys Contactor ⁸	Minimum Enclosure Volume	
Power indicated on rating plate (HP)	Reference	NEC Full Load Current (A)	With Circuit Breaker			With Fuses ⁶				No TeSys Contactor ⁴ (in ³)	With TeSys Contactor ⁴ (in ³)
			Power Pact 1,2 (Inverse Time) C1, C2 ⁴	Power Pact 1,2 (Instantaneous-Trip) C1, C2 ⁴	SCCR (kA) B ⁴	Molded Case Switches	Fuse (A) C1, C2 ⁴	SCCR (kA) B ⁴			
208V^A											
3	ATS22D17S6U	10.6	HLL36040	HLL36030M71	100	HLL36000S15	15	100	LC●D18	2310	4158
7.5	ATS22D32S6U	24.2	HLL36070	HLL36050M72	100	HLL36000S15	40	100	LC●D32	2310	4158
10	ATS22D47S6U	30.8	HLL36100	HLL36100M73	100	HLL36000S15	50	100	LC●D40A	2310	4158
15	ATS22D62S6U	46.2	HLL36125	HLL36100M73	100	HLL36000S15	80	100	LC●D50A	2772	4620
20	ATS22D75S6U	59.4	HLL36150	HLL36150M74	100	HLL36000S15	100	100	LC●D80	2772	4620
25	ATS22D88S6U	74.8	HLL36150	HLL36150M74	100	HLL36000S15	125	100	LC●D80	2772	4620
30	ATS22C11S6U	88	JLL36250	HLL36150M74	100	HLL36000S15	150	100	LC●D115	3696	6468
40	ATS22C14S6U	114	JLL36250	JLL36250M75	100	HLL36000S15	200	100	LC●D150	3696	6468
50	ATS22C17S6U	143	JLL36250	JLL36250M75	100	JLL36000S25	250	100	LC●F185	3696	6468
60	ATS22C21S6U	169	LLL36400	JLL36250M75	100	JLL36000S25 LLL36600S60X	250	100	LC●F265	11267	45000
				LHL36350							
75	ATS22C25S6U	211	LHL36400	LHL3640032M	42	LLL36600S60X	350	100	LC●F330	11267	45000
				LLL36400	LLL36400M37X						
100	ATS22C32S6U	273	LLL36600	LLL36600M37X	100	LLL36600S60X	450	100	LC●F400	11267	45000
125	ATS22C41S6U	343	LLL36600	LLL36600M37X	100	LLL36600S60X	600	100	LC●F500	11267	45000
150	ATS22C48S6U	396	MJJ36800 PLL34080	PLL34080M68	100	PLL34000S60	700	100	LC●F500	10584	34272
230V^A											
5	ATS22D17S6U	15.2	HLL36040	HLL36030M71	100	HLL36000S15	30	100	LC●D25	2310	4158
10	ATS22D32S6U	28	HLL36070	HLL36050M72	100	HLL36000S15	45	100	LC●D32	2310	4158
15	ATS22D47S6U	42	HLL36100	HLL36100M73	100	HLL36000S15	70	100	LC●D50A	2310	4158
20	ATS22D62S6U	54	HLL36125	HLL36100M73	100	HLL36000S15	90	100	LC●D65A	2772	4620
25	ATS22D75S6U	68	HLL36150	HLL36150M74	100	HLL36000S15	110	100	LC●D80	2772	4620
30	ATS22D88S6U	80	HLL36150	HLL36150M74	100	HLL36000S15	125	100	LC●D115	2772	4620
40	ATS22C11S6U	104	JLL36250	HLL36150M74	100	HLL36000S15	175	100	LC●D150	3696	6468
50	ATS22C14S6U	130	JLL36250	JLL36250M75	100	JLL36000S17 ⁷	225	100	LC●D150	3696	6468
60	ATS22C17S6U	154	JLL36250	JLL36250M75	100	JLL36000S25	250	100	LC●F185	3696	6468
75	ATS22C21S6U	192	LLL36400	JLL36250M75	100	JLL36000S25 LLL36600S60X	300	100	LC●F330	11267	45000
				LHL36350							
100	ATS22C25S6U	248	LHL36400	LHL3640032M	42	LLL36600S60X	400	100	LC●F330	11267	45000
				LLL36400	LLL36400M37X						
125	ATS22C32S6U	312	LLL36600	LLL36600M37X	100	LLL36600S60X	500	100	LC●F400	11267	45000
150	ATS22C41S6U	360	LLL36600	LLL36600M37X	100	LLL36600S60X	600	100	LC●F500	11267	45000
200	ATS22C59S6U	480	MJJ36800 PLL34080	PLL34080M68	100	PLL34000S80	800	100	LC●F630	10584	34272
460V^A											
10	ATS22D17S6U	14	HLL36040	HLL36030M71	100	HLL36000S15	20	100	LC●D18	2310	4158
20	ATS22D32S6U	27	HLL36070	HLL36050M72	100	HLL36000S15	35	100	LC●D32	2310	4158
30	ATS22D47S6U	40	HLL36100	HLL36100M73	100	HLL36000S15	70	100	LC●D50A	2310	4158
40	ATS22D62S6U	52	HLL36125	HLL36100M73	100	HLL36000S15	90	100	LC●D65A	2772	4620
50	ATS22D75S6U	65	HLL36150	HLL36150M74	100	HLL36000S15	110	100	LC●D80	2772	4620
60	ATS22D88S6U	77	HLL36150	HLL36150M74	100	HLL36000S15	125	100	LC●D115	2772	4620
75	ATS22C11S6U	96	JLL36250	HLL36150M74	100	HLL36000S15	150	100	LC●D115	3696	6468
100	ATS22C14S6U	124	JLL36250	JLL36250M75	100	JLL36000S17 ⁷	200	100	LC●D150	3696	6468
125	ATS22C17S6U	156	JLL36250	JLL36250M75	100	JLL36000S25	250	100	LC●F185	3696	6468
150	ATS22C21S6U	180	LLL36400	JLL36250M75	100	JLL36000S25 LLL36600S60X	300	100	LC●F265	11267	45000
				LHL36350							
200	ATS22C25S6U	240	LHL36400	LHL3640032M	42	LLL36600S60X	400	100	LC●F330	11267	45000
				LLL36400	LLL36400M37X						
250	ATS22C32S6U	302	LLL36600	LIL36500	100	LLL36600S60X	500	100	LC●F400	11267	45000
				LIL36500							
300	ATS22C41S6U	361	LLL36600 LIL36600	LLL36600M37X	100	LLL36600S60X	600	100	LC●F500	11267	45000
350	ATS22C48S6U	414	MJJ36800 PLL34080	-	65	PLL34000S60	700	100	LC●F500	10584	34272
					100						
400	ATS22C59S6U	477	MJJ36800 PLL34080	-	65	PLL34000S80	800	100	LC●F360	10584	34272
					100						

Footnotes are on page 4.

Altistart 22			SCCR Ratings ⁵						TeSys Contactor ⁸	Minimum Enclosure Volume	
Power indicated on rating plate (HP)	Reference	NEC Full Load Current (A)	With Circuit Breaker			With Fuses ⁶				No TeSys Contactor ⁴ (in ³)	With TeSys Contactor ⁴ (in ³)
			Power Pact ^{1,2} (Inverse Time) C1, C2 ⁴	Power Pact ^{1,2} (Instantaneous-Trip) C1, C2 ⁴	SCCR (kA) B ⁴	Molded Case Switches	Fuse (A) C1, C2 ⁴	SCCR (kA) B ⁴			
575V^A											
15	ATS22D17S6U	17	HLL36040	HLL36030M71	50	HLL36000S15	25	100	LC●D40A	2310	4158
25	ATS22D32S6U	27	HLL36070	HLL36050M72	50	HLL36000S15	45	100	LC●D40A	2310	4158
40	ATS22D47S6U	41	HLL36100	HLL36100M73	50	HLL36000S15	70	100	LC●D50A	2310	4158
50	ATS22D62S6U	52	HLL36125	HLL36100M73	50	HLL36000S15	90	100	LC●D80	2772	4620
60	ATS22D75S6U	62	HLL36150	HLL36150M74	50	HLL36000S15	100	100	LC●D80	2772	4620
75	ATS22D88S6U	77	HLL36150	HLL36150M74	50	HLL36000S15	125	100	LC●D115	2772	4620
100	ATS22C11S6U	99	JLL36250	HLL36150M74	50	HLL36000S15	150	100	LC●D115	3696	6468
125	ATS22C14S6U	125	JLL36250	JLL36250M75	50	JLL36000S17 ⁷	200	100	LC●D150	3696	6468
150	ATS22C17S6U	144	JLL36250	JLL36250M75	50	JLL36000S25	250	100	LC●F185	3696	6468
200	ATS22C21S6U	192	LLL36400 ³	JLL36250M75	50	JLL36000S25	300	100	LC●F330	11267	45000
			LIL36350	LLL36400M37X ³							
			LHL36350	LHL3640031M							
250	ATS22C25S6U	242	LLL36400 ³	LLL36400M37X ³	50	LLL36600S60X	400	100	LC●F330	11267	45000
			LIL36400								
			LHL36400	LHL3640032M							
300	ATS22C32S6U	289	LLL36600 ³	LLL36600M37X ³	50	LLL36600S60X	500	100	LC●F400	11267	45000
			LIL36500								
350	ATS22C41S6U	336	LLL36600 ³	LLL36600M37X ³	50	LLL36600S60X	500	100	LC●F500	11267	45000
			LIL36600								
400	ATS22C48S6U	382	MJL36800	-	25	PKL36000S60	600	100	LC●F500	10584	34272
			PKL36080	PKL36080M68	50						
500	ATS22C59S6U	472	MJL36800	-	25	PKL36000S80	800	100	LC●F630	10584	34272
			PKL36080	PKL36080M68	50						

¹ Square D PowerPact circuit breakers. Maximum breaker size for SCCR is shown. The third character of the breaker catalog number may be an "L", an "F", an "M" or a "P". The following types of Square D breakers with lower interrupting ratings may be substituted for the breakers shown: HD, HG, HJ, JD, JG, JJ, LG, LJ, MG, PG, PJ, PK.

² A smaller ampacity breaker within the same product family may be substituted for the one described.

³ Short circuit rating of the combination exceeds the rating of the circuit breaker. Combinations including F500 contactor are rated 35 kA at 600V.

⁴ Suitable for use on a circuit capable of delivering not more than ___B___ rms symmetrical kiloAmperes, ___A___ Volts maximum, when protected by ___C1___ with a maximum rating of ___C2___.

⁵ For all models, rating indicates standard use conditions. For heavy duty condition, the user manual must be referred to.

⁶ Molded case switches provide the disconnecting means, and fuses provide the short circuit protection. The molded case switch part numbers are only suggestions. Customer may choose to use similar approved disconnecting means.

⁷ JLL36000S17 may be replaced by JLL36000S25.

⁸ Contactor may be LC1 or LC2 type. The next larger contactor may be substituted for the one shown. Contactors may be used in conjunction with circuit breaker protection and ATS22 soft starter for line and load isolation applications.

ATS22●●●Q & ●●●S6 Combination Short Circuit Current Ratings (SCCR)

The table shows recommended combination ratings with fuse or circuit breaker protective device for ATS22●●●Q & ATS22●●●S6.

ATS22 Stand-alone product	Max. short circuit current rating (SCCR) X	Branch circuit protection Z1 ¹	Rating Z2	
ATS22D17●●	5 kA	AJT40	40 A	
ATS22D32●●		AJT70	70 A	
ATS22D47●●		AJT100	100 A	
ATS22D62●●	10 kA	AJT125	125 A	
ATS22D75●●		AJT175	175 A	
ATS22D88●●		AJT200	200 A	
ATS22C11●●		AJT250	250 A	
ATS22C14●●		AJT300	300 A	
ATS22C17●●		AJT400	400 A	
ATS22C21●●	18 kA	AJT500	500 A	
ATS22C25●●		AJT600	600 A	
ATS22C32●●		2 x AJT350	2 x 350 A	
ATS22C41●●		2 x AJT400	2 x 400 A	
ATS22C48●●		2 x AJT500	2 x 500 A	
ATS22C59●●		30 kA	2 x AJT600	2 x 600 A

Soft starter 208/600 V- 60 Hz (+10% -15%) - Standard rating.

Suitable for use on a circuit capable of delivering not more than ___X___ rms symmetrical Amperes, 575 Volts maximum, when protected by ___Z1___ with a maximum rating of ___Z2___.

¹ Ferraz Shawmut manufacturer.