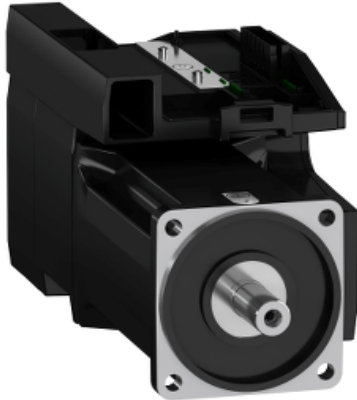




Price* : 2,019.42 USD



Main

| | |
|---------------------------|------------------------------|
| Range compatibility | Lexium 32i |
| Product or component type | Servo motor with power stage |
| Device short name | BMI |

Complementary

| | |
|---------------------------|--|
| Maximum mechanical speed | 6000 rpm |
| [Us] rated supply voltage | 115...230 V - 15...10 % |
| Supply voltage limits | 100...240 V |
| Phase | Single phase |
| Supply frequency | 50/60 Hz - 5...5 % |
| Network frequency limits | 47.5...63 Hz |
| EMC filter | Integrated |
| Continuous output current | 6 A 8 kHz |
| Output current 3s peak | 18 A 230 V 3 s |
| Continuous stall current | 6 A |
| Continuous stall torque | 53.10 lbf.in (6 N.m) 115...230 V single phase |
| Peak stall torque | 128.34 lbf.in (14.5 N.m) 115 V single phase 128.34 lbf.in (14.5 N.m) 230 V single phase |
| Nominal output power | 750 W 115 V single phase 1300 W 230 V single phase |
| Nominal torque | 47.79 lbf.in (5.4 N.m) 115 V single phase 38.94 lbf.in (4.4 N.m) 230 V single phase |
| Nominal speed | 1400 rpm 115 V single phase 3000 rpm at 230 V single phase |
| Maximum current Irms | 30 A 115 V, single phase 30 A 230 V, single phase |

* Price is "List Price" and may be subject to a trade discount – check with your local distributor or retailer for actual price.

| | |
|---------------------------------------|--|
| Product compatibility | Drive control unit LXM32i CANopen Drive control unit LXM32i EtherCAT |
| Shaft end | Keyed |
| Second shaft | Without second shaft end |
| Shaft diameter | 0.75 in (19 mm) |
| Shaft length | 1.57 in (40 mm) |
| Key width | 0.24 in (6 mm) |
| Feedback type | Absolute multiturn SinCos Hiperface |
| Speed feedback resolution | 32768 points/turn x 4096 turns |
| Holding brake | Without |
| Mounting support | International standard flange |
| Motor flange size | 3.94 in (100 mm) |
| Electrical connection | Printed circuit board connector |
| Torque constant | 0.89 N.m/A 68 °F (20 °C) |
| Back emf constant | 58.5 V/krpm 68 °F (20 °C) |
| Number of motor poles | 10 |
| Rotor inertia | 6.28 kg.cm ² |
| Stator resistance | 1.08 Ohm 68 °F (20 °C) |
| Stator inductance | 4.7 mH 68 °F (20 °C) |
| Stator electrical time constant | 4.35 ms 68 °F (20 °C) |
| Maximum radial force Fr | 990 N 1000 rpm 790 N 2000 rpm 690 N 3000 rpm 620 N 4000 rpm 580 N 5000 rpm |
| Maximum axial force Fa | 0.2 x Fr |
| Type of cooling | Natural convection |
| Length | 10.75 in (273 mm) |
| Number of motor stacks | 2 |
| Centring collar diameter | 3.74 in (95 mm) |
| Centring collar depth | 0.14 in (3.5 mm) |
| Number of mounting holes | 4 |
| Mounting holes diameter | 0.35 in (9 mm) |
| Circle diameter of the mounting holes | 4.53 in (115 mm) |
| Distance shaft shoulder-flange | 0.14 in (3.5 mm) |

Environment

| | |
|-------------------------|----------------------------|
| IP degree of protection | Shaft IP54 Housing IP65 |
|-------------------------|----------------------------|

Ordering and shipping details

| | |
|-----------------------|-------------------------------------|
| Category | 18287 - LEXIUM 32 INTEGRATED DRIVES |
| Discount Schedule | PC56 |
| GTIN | 03606485377384 |
| Nbr. of units in pkg. | 1 |
| Package weight(Lbs) | 20.94 lb(US) (9.5 kg) |
| Returnability | No |
| Country of origin | DE |

Packing Units

| | |
|------------------------|-------------------|
| Unit Type of Package 1 | PCE |
| Package 1 Height | 9.84 in (25 cm) |
| Package 1 width | 7.32 in (18.6 cm) |
| Package 1 Length | 21.65 in (55 cm) |

Offer Sustainability

| | |
|----------------------------|---|
| Sustainable offer status | Green Premium product |
| California proposition 65 | WARNING: This product can expose you to chemicals including: Lead and lead compounds, which is known to the State of California to cause cancer and birth defects or other reproductive harm. For more information go to www.P65Warnings.ca.gov |
| REACH Regulation | REACH Declaration |
| EU RoHS Directive | Pro-active compliance (Product out of EU RoHS legal scope) EU RoHS Declaration |
| Mercury free | Yes |
| RoHS exemption information | Yes |
| China RoHS Regulation | China RoHS declaration |
| Environmental Disclosure | Product Environmental Profile |
| Circularity Profile | End of Life Information |
| WEEE | The product must be disposed on European Union markets following specific waste collection and never end up in rubbish bins. |
| PVC free | Yes |

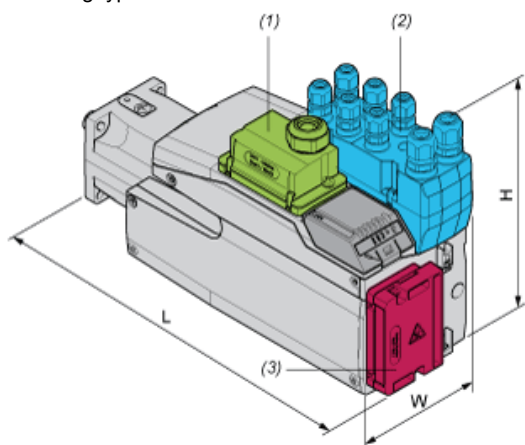
Contractual warranty

| | |
|----------|-----------|
| Warranty | 18 months |
|----------|-----------|

External Dimensions

With Standard Braking Resistor

Mounting type A



- (1) Module for supply voltage
- (2) I/O module
- (3) Standard braking resistor

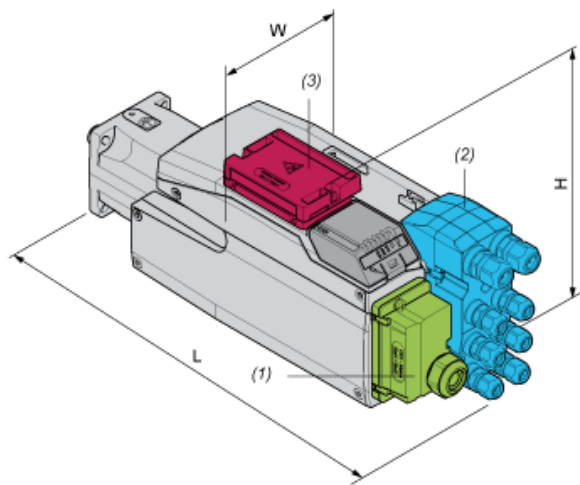
Dimensions in mm

| W | H | L |
|-------|-----|-----|
| 132,6 | 217 | 294 |

Dimensions in in.

| W | H | L |
|------|------|-------|
| 5,22 | 8,54 | 11,57 |

Mounting type B



- (1) Module for supply voltage
- (2) I/O module
- (3) Standard braking resistor

Dimensions in mm

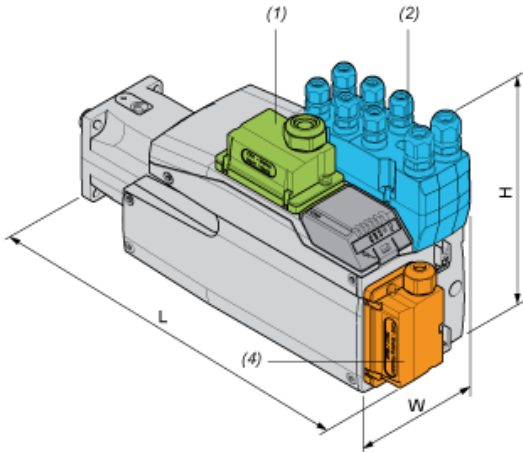
| | | |
|-------|-----|-----|
| W | H | L |
| 132,6 | 168 | 343 |

Dimensions in in.

| | | |
|------|------|------|
| W | H | L |
| 5,22 | 6,61 | 13,5 |

With External Braking Resistor

Mounting type C



- (1) Module for supply voltage
- (2) I/O module
- (4) External braking resistor

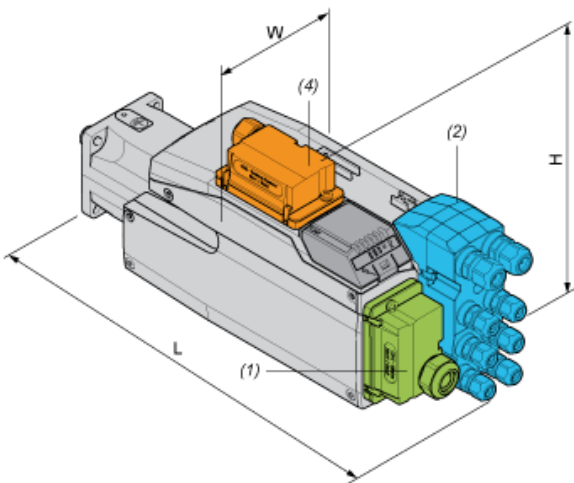
Dimensions in mm

| | | |
|-------|-----|-----|
| W | H | L |
| 132,6 | 217 | 306 |

Dimensions in in.

| | | |
|------|------|-------|
| W | H | L |
| 5,22 | 8,54 | 12,05 |

Mounting type D



- (1) Module for supply voltage
- (2) I/O module
- (4) External braking resistor

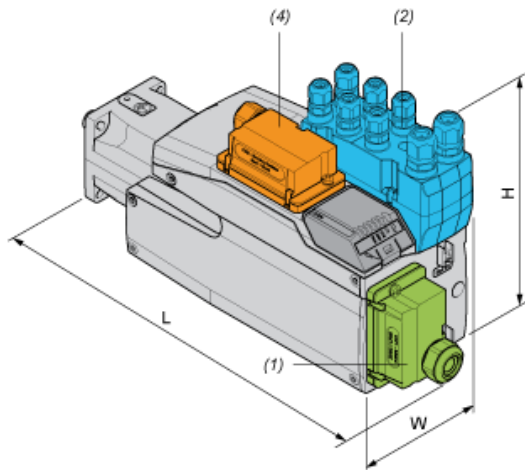
Dimensions in mm

| | | |
|-------|-----|-----|
| W | H | L |
| 132,6 | 180 | 343 |

Dimensions in in.

| W | H | L |
|------|------|------|
| 5,22 | 7,09 | 13,5 |

Mounting type E



- (1) Module for supply voltage
- (2) I/O module
- (4) External braking resistor

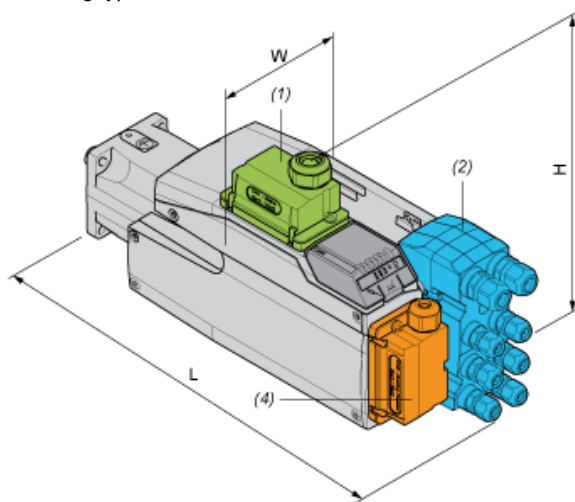
Dimensions in mm

| W | H | L |
|-------|-----|-----|
| 132,6 | 217 | 333 |

Dimensions in in.

| W | H | L |
|------|------|-------|
| 5,22 | 8,54 | 13,11 |

Mounting type F



- (1) Module for supply voltage
- (2) I/O module
- (4) External braking resistor

Dimensions in mm

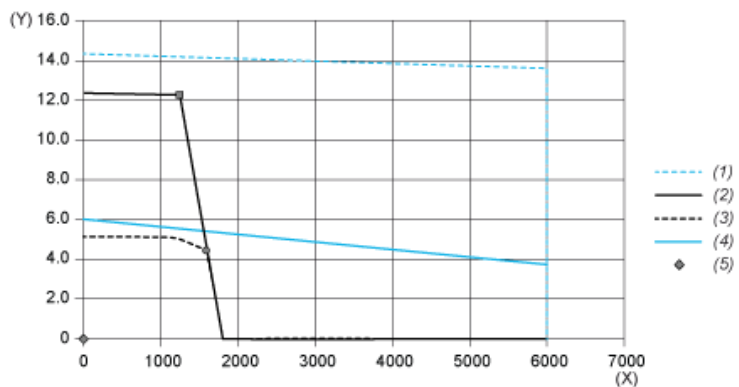
| W | H | L |
|-------|-------|-----|
| 132,6 | 206,5 | 343 |

Dimensions in in.

| W | H | L |
|------|------|------|
| 5,22 | 8,13 | 13,5 |

Performance Curves

Torque/Speed Curves with 115 V Single Phase Supply Voltage

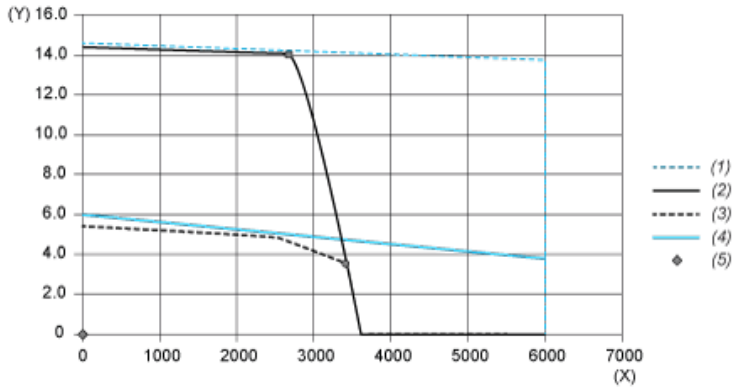


- (X) Speed (rpm)
- (Y) Torque (N.m)
- (1) Motor peak
- (2) Drive peak
- (3) Drive cont
- (4) Motor cont
- (5) Operating point

| | Power | At Speed | With Torque |
|-------------------------|--------|----------|-------------|
| max. Peak Power | 1721 W | 1380 rpm | 11.91 N.m |
| max Cont. Power (Drive) | 757 W | 1620 rpm | 4.46 N.m |

Performance Curves

Torque/Speed Curves with 230 V Single Phase Supply Voltage



- (X) Speed (rpm)
- (Y) Torque (N.m)
- (1) Motor peak
- (2) Drive peak
- (3) Drive cont
- (4) Motor cont
- (5) Operating point

| | Power | At Speed | With Torque |
|-------------------------|--------|----------|-------------|
| max. Peak Power | 4069 W | 2760 rpm | 14.08 N.m |
| max Cont. Power (Drive) | 1257 W | 3420 rpm | 3.51 N.m |