

# Field Testing and Maintenance Guide



for Thermal-Magnetic and Micrologic®  
Electronic-Trip Molded Case Circuit Breakers

## Guía de servicio de mantenimiento y pruebas en campo

Para los interruptores automáticos en caja  
moldeada termomagnéticos y de disparo  
electrónico Micrologic®

Guide d'essai sur place et d'entretien  
pour disjoncteurs à boîtier moulé  
thermomagnétiques et à déclenchement  
électronique Micrologic®

**Class / Clase / Classe 0600**

Instruction Bulletin  
Boletín de instrucciones  
Directives d'utilisation

48049-900-02

Retain for Future Use. / Conservar para  
uso futuro. / À conserver pour usage  
ultérieur.





# Field Testing and Maintenance Guide for Thermal-Magnetic and Micrologic<sup>®</sup> Electronic-Trip Molded Case Circuit Breakers

**Class Number 0600**

Instruction Bulletin

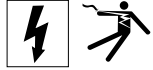
48049-900-02

Retain for future use.



## Hazard Categories and Special Symbols

Read these instructions carefully and look at the equipment to become familiar with the device before trying to install, operate, service or maintain it. The following special messages may appear throughout this bulletin or on the equipment to warn of potential hazards or to call attention to information that clarifies or simplifies a procedure.



The addition of either symbol to a “Danger” or “Warning” safety label indicates that an electrical hazard exists which will result in personal injury if the instructions are not followed.



This is the safety alert symbol. It is used to alert you to potential personal injury hazards. Obey all safety messages that follow this symbol to avoid possible injury or death.

### **DANGER**

**DANGER** indicates an imminently hazardous situation which, if not avoided, **will result in** death or serious injury.

### **WARNING**

**WARNING** indicates a potentially hazardous situation which, if not avoided, **can result in** death or serious injury.

### **CAUTION**

**CAUTION** indicates a potentially hazardous situation which, if not avoided, **can result in** minor or moderate injury.

### **CAUTION**

**CAUTION**, used without the safety alert symbol, indicates a potentially hazardous situation which, if not avoided, **can result in** property damage.

**NOTE:** Provides additional information to clarify or simplify a procedure.

## Please Note

Electrical equipment should be installed, operated, serviced, and maintained only by qualified personnel. No responsibility is assumed by Schneider Electric for any consequences arising out of the use of this material.

# TABLE OF CONTENTS

ENGLISH

- Section 1—Introduction** ..... 7
- Inspection and Testing ..... 7
  - Thermal-Magnetic Circuit Breaker Testing Inaccuracies ..... 7
- Safety Precautions ..... 8
- Section 2—Visual Inspection and Preventive Maintenance** ..... 9
- Molded Case of Circuit Breakers ..... 9
- Procedures ..... 9
  - Visual Inspections During Operation ..... 9
  - Maintenance Inspections ..... 10
  - Thermographic Inspection ..... 11
  - Additional Information ..... 11
- Section 3—Thermal-Magnetic Circuit Breaker Performance Tests** .... 12
- General Circuit Breaker Performance Tests ..... 12
  - Field Testing Special 500 Vdc Circuit Breakers ..... 12
  - Field Testing AC Thermal-Magnetic Circuit Breakers ..... 13
- Performance Tests ..... 13
  - Insulation Resistance Test ..... 13
  - Thermal-Magnetic Circuit Breaker Performance Tests ..... 14
- Remove Test Connections ..... 17
- Additional Information ..... 17
- Section 4—Masterpact® and PowerPact® Circuit Breaker Performance Tests**..... 18
- Cluster Inspection (Masterpact Drawout Circuit Breakers Only) ..... 18
  - Cluster Replacement ..... 18
  - Reset Cluster Springs ..... 22
  - Cluster Lubrication ..... 22
  - Cradle Stab Lubrication ..... 23
  - Circuit Breaker Installation From the Drawout Position to the Disconnect Position ..... 23
- Performance Tests ..... 24
  - Dielectric Testing Masterpact Circuit Breakers with Micrologic P or H Trip Systems. .... 24
  - Micrologic® Trip Unit Checks ..... 26
  - Procedure to Defeat Zone-Selective Interlocking ..... 26
- Secondary Injection ..... 26
- Primary Injection Testing ..... 27
  - Circuit Breakers with Integral Ground Fault Protection ..... 28
  - Ground-Fault Protection and Indication
  - Only Tests for Radial Systems ..... 29
- Remove Test Connections ..... 31
- Additional Information ..... 31
- Section 5—Electronic Trip Circuit Breaker Performance Tests (Except Masterpact® and PowerPact® Circuit Breakers)**..... 32
- General Circuit Breaker Performance Tests ..... 32
- Micrologic® Electronic-Trip Circuit Breaker Tests ..... 33
  - Circuit Breakers with Integral Ground Fault Protection ..... 35
  - Procedure for Circuit Breakers Used with Powerlogic® Systems ..... 36
  - Procedure to Defeat Zone-Selective Interlocking ..... 36
  - Ground-Fault Protection and Indication
  - Only Tests for Radial Systems ..... 37
- Remove Test Connections ..... 40
- Additional Information ..... 40

<b>Section 6—Available Test Equipment</b> .....	41
Test Equipment for L-, M-, N-, P- and S-frame Circuit Breakers with Micrologic® Trip Units .....	41
Local Current Meter Kit .....	41
Memory-Reset Module .....	41
Primary Injection Test Kit .....	41
Universal Test Set .....	41
Available Test Equipment for Masterpact® and PowerPact® Circuit Breakers with Micrologic® Electronic-Trip Units .....	42
Full-Function Test Kit .....	42
Hand-Held Test Kit .....	42

## Section 1—Introduction

### Inspection and Testing

The service life of molded case circuit breakers depends on proper application, correct installation, environmental conditions and preventive maintenance. Two levels of investigation can ensure that a circuit breaker is able to operate properly:

1. Inspection and preventive maintenance
2. Performance and verification tests.

To ensure continued suitable performance, periodically inspect the circuit breakers following the procedures outlined in this document. These test procedures will help diagnose operational problems and are provided as an aid or as follow-up to an inspection that reveals potential problems. The inspection, preventive maintenance, and field-testing instructions provided in this document are intended for use with electronic-trip circuit breakers with the Micrologic® trip system, thermal-magnetic circuit breakers, and magnetic-only circuit breakers.

**Table 1: Circuit Breaker Inspection and Testing**

Circuit Breaker Type	Inspection	Performance Tests
Thermal-Magnetic Circuit Breakers	Section 2	Section 3
Magnetic-Only Circuit Breakers	Section 2	Section 3
Masterpact® and PowerPact® Circuit Breakers	Section 2	Section 4
Electronic Trip (Except for Masterpact and PowerPact) Circuit Breakers	Section 2	Section 5

The standard generally used as a basis for field-testing requirements is the National Electrical Manufacturers Association Standard, NEMA AB 4, “Guidelines for Inspection and Preventive Maintenance of Molded Case Circuit Breakers Used in Commercial and Industrial Applications.” If additional information or assistance is required, contact your local field sales office. For on-site service, contact the Customer Information Center 24 hours a day at 1-888-SquareD (778-2733)

The inspection and preventive maintenance procedures outlined in this publication may be useful in setting up a routine inspection program. Conduct performance tests only if inspection or daily operation indicates that a circuit breaker may not be adequately providing the protection required by its application.

If questionable results are observed during inspection or performance tests, consult your local field sales office. If it is necessary to return a circuit breaker to the manufacturing facility, use proper packaging and packing materials to avoid shipping damage.

This publication is not intended, nor is it adequate, to verify proper electrical performance of a molded case circuit breaker that has been disassembled, modified, rebuilt, refurbished, or handled in any manner not intended or authorized by the Company.

#### Thermal-Magnetic Circuit Breaker Testing Inaccuracies

During the last few years there have been increasing incidents of inaccurate field testing. Major obstacles to accurate field testing of circuit breakers are the variables present in modern installations, such as variations in enclosures, bussing, cabling and proximity to other equipment.

Another obstacle is ac vs. dc test currents for dc applications. Most manufacturers have tested and certified ac circuit breakers for use in low-voltage dc applications (250 Vdc or less). When applying thermal-magnetic

circuit breakers, 1000 A frame or less, on low-voltage (< 250 Vdc systems) the circuit breaker's thermal characteristics remain unchanged. But the magnetic (instantaneous) characteristics do change and require a multiplier to determine the dc current necessary to trip the circuit breaker. The multipliers for use with Square D equipment are shown in the Determining Current Carrying Capacities in Special Applications data bulletin.

For circuit breakers above 1000 A and the special 500 Vdc circuit breakers, the correlation between ac current and dc current is not predictable. For accurate results, these circuit breakers must be tested using dc current. See "Field Testing Special 500 Vdc Circuit Breakers" on page 12 for testing information.

## Safety Precautions

1. Only qualified electrical workers with training and experience on low-voltage circuits should perform work described in these instructions. Workers must understand the hazards involved in working with or near low-voltage equipment. Such work should be performed only after reading this complete set of instructions.
2. Some inspections or procedures require that certain parts of the electrical system remain energized at hazardous voltage during the procedure. Observe all specific safety messages (Danger, Warning, Caution) throughout this manual.
3. Wear protective safety equipment, recognize potential hazard, and take adequate safety precautions when performing the procedures outlined in this manual.



## Section 2—Visual Inspection and Preventive Maintenance

Molded case circuit breakers normally require very little maintenance. The Company recommends that inspection procedures be performed on a regular basis. Inspection frequency depends on operating and environmental conditions associated with the application.

Visual inspections during operation can be performed any time electrical workers or maintenance personnel are in the vicinity of the electrical equipment.

Maintenance inspections can be done during normal maintenance intervals. It is recommended that the circuit breaker mechanism be exercised annually. Inspection and maintenance may be required more frequently if adverse operating or environmental conditions exist.

### Molded Case of Circuit Breakers

The molded case of a Square D molded case circuit breaker should not be opened. Opening the case or disassembling the circuit breaker voids the manufacturer's warranty and compromises the integrity of the device. Opened or otherwise inoperable circuit breakers should be destroyed or returned to the Company to prevent them from being returned to service. Removal of auxiliary or accessory covers does not constitute opening the molded case.

### Procedures

#### Visual Inspections During Operation

<p><b>⚠ DANGER</b></p> <p><b>HAZARD OF ELECTRIC SHOCK, EXPLOSION, OR ARC FLASH</b></p> <ul style="list-style-type: none"><li>• Apply appropriate personal protective equipment (PPE) and follow safe electrical work practices. See NFPA 70E.</li><li>• This equipment must be installed and serviced by qualified electrical personnel.</li><li>• Take precautions to ensure that no accidental contact is made with live components during this check.</li></ul> <p><b>Failure to follow these precautions will result in death or serious injury.</b></p>
--

While circuit breaker is energized:

1. Verify circuit breaker application and rating.  
Make sure that the circuit breaker is properly applied within labeled voltage, ampere rating, maximum current interrupting ratings and to Company recommendations. Compare the circuit breaker faceplate data to the installation drawings. Verify trip unit settings on Micrologic® electronic-trip circuit breakers with the coordination study. After completing inspection and maintenance procedures, insure that all trip unit settings for all functions are set according to the coordination study.
2. Check for overheating while equipment is energized.  
While the circuit breaker is normally operating, under load and at operating temperature, check the exposed, accessible, insulated face of the circuit breaker and adjacent dead front surfaces of the enclosure for overheating. To do this, use an infrared temperature probe to check the temperature. If the temperature exceeds 60°C, the cause should be investigated.  
Allow initially energized circuit breaker at least three hours to reach operating temperature. Compare the surface temperature of individual circuit breakers with the surface temperature of other circuit breakers in the installation. Circuit breaker surface temperatures vary according to loading, position in the panelboard and ambient temperature. If the surface temperature of a circuit breaker is considerably higher than adjacent circuit breakers, the cause should be investigated.  
Thermographic inspection methods may also be used to evaluate overheating with equipment energized (see Thermographic Inspection, page 11).
3. Check for cracks in the molded case.  
Any circuit breaker with a cracked molded case should be replaced because its ability to withstand short-circuit interruption stresses is reduced.

## Maintenance Inspections

### **⚠ DANGER**

#### **HAZARD OF ELECTRIC SHOCK, EXPLOSION, OR ARC FLASH**

- Apply appropriate personal protective equipment (PPE) and follow safe electrical work practices. See NFPA 70E.
- This equipment must be installed and serviced by qualified electrical personnel.
- Disconnect all power sources before performing maintenance inspections. Assume that all circuits are live until they are completely de-energized, tested, grounded and tagged. Consider all sources of power, including the possibility of backfeeding and control power.
- Always use a properly rated voltage sensing device to confirm power is off.
- Replace all devices, doors and covers before turning on power to this equipment.

**Failure to follow these precautions will result in serious injury or death.**

### **CAUTION**

#### **HAZARD OF EQUIPMENT DAMAGE**

Drawout connection lubrication must be reapplied each time the circuit breaker is removed from the cradle.

**Failure to follow this instruction can result in equipment damage**

4. Inspect the enclosure.

The enclosure should be clean and dry. All covers and trip pieces should be in place.

While circuit breaker is de-energized:

1. Check for overheating while the equipment is de-energized.

Visually inspect electrical components for discoloration. This may indicate overheating. If there is no evidence of overheating or loose connections, do not disturb or re-torque connections.

Copper Connections:

If evidence of overheating is found on terminals, connectors, conductors or conductor insulation, clean and dress all affected connections and bus bars to NEMA Standards Publication AB4.

Aluminum Connections:

Overheated aluminum connectors must be replaced and damaged portions of the conductor removed. If the conductor is not long enough to properly terminate the circuit breaker when the damaged portion is removed, make an appropriate splice using a new length of rated conductor.

I-Line® Panelboard Connections:

If the I-Line panelboard jaw connections are pitted, discolored or deformed, the circuit breaker must be replaced. I-Line jaws are gauged and tested during the manufacturing process. They are not field replaceable. Do not bend or adjust them.

If electrical joint compound is removed from I-Line connections, it must be reapplied before reinstallation of the circuit breaker(s). This compound is necessary to ensure the integrity of the connection. I-Line panelboard connections require Square D PJC-7201 joint compound.

Drawout Connections:

If Masterpact circuit breaker drawout clusters are missing, discolored or deformed, the clusters must be replaced, see Cluster Inspection (Masterpact Drawout Circuit Breakers Only) on page 18. If other circuit breaker drawout connections are discolored or deformed, the circuit breaker must be replaced.

Drawout connections must have lubrication applied each time the circuit breaker is removed from the cradle. This compound is necessary to ensure the integrity of the connection.

Drawout connections for SE circuit breakers require Square D PJC-8311 joint compound.

Drawout connections for Masterpact and PowerPact circuit breakers require grease kit S48899 to lubricate clusters and stabs. See page 22.

After cleaning and/or replacing damaged parts, torque all connections to values specified by Square D. Refer to circuit breaker instruction bulletins for additional information regarding torque values. Bulletins are shipped with the circuit breakers and are available from the Square D internet technical library.

2. Exercise circuit breaker mechanism:  
Toggle the circuit breaker handle on and off several times to ensure that mechanical linkages are free. Trip the circuit breaker with the push-to-trip button. Reset and turn the circuit breaker back on. Repeat to ensure operability. If the circuit breaker does not trip, or if it does not reset after tripping, it must be replaced.
3. Clean the circuit breaker.  
Remove any buildup of dust, dirt, grease or moisture from circuit breaker surfaces with a lint-free dry cloth or vacuum cleaner. Do not use compressed air. Use caution when using detergent-based cleaners or solvents: these may deteriorate faceplate, labels, and insulation materials. Clean contact surfaces of circuit breaker terminals and terminal pads or bus bars with a nonabrasive cleaner. Abrasive cleaners will remove plating, resulting in joint deterioration.  
  
If electrical joint compound is removed from I-Line or SE drawout connections, Square D PJC-7201 or PJC-8311 joint compound, respectively, must be reapplied before reinstalling the circuit breakers. This compound is necessary to ensure the integrity of the connection.

### Thermographic Inspection

<p><b>⚠ DANGER</b></p> <p><b>HAZARD OF ELECTRIC SHOCK, EXPLOSION, OR ARC FLASH</b></p> <p>Only qualified electrical workers with training and experience on low-voltage circuits should perform thermographic inspections. These workers must understand the hazards involved in working with or near low-voltage equipment. Perform such work only after reading this complete set of instructions.</p> <p><b>Failure to follow this precaution will result in death or serious injury.</b></p>
--

Infrared thermographic inspection techniques may be useful in evaluating the operating condition of circuit breakers and terminations. Comparison to stored infrared thermographic images may be useful for the preventive maintenance of circuit breakers and end-use equipment. The actual amount of heat emitted is a function of both load current and ambient conditions. Interpretation of infrared survey requires experience and training in this type of inspection.

Allow initially energized circuit breakers at least three hours to reach operating temperature. Compare the thermographic images of individual circuit breakers to previously stored images of the same circuit breakers.

### Additional Information

For more information concerning Square D Circuit breakers, refer to the appropriate instruction manual. These manuals contain installation instructions, mounting information, safety features, wiring diagrams, and troubleshooting charts for specific circuit breakers.

## Section 3—Thermal-Magnetic Circuit Breaker Performance Tests

### General Circuit Breaker Performance Tests

#### **⚠ DANGER**

##### **HAZARD OF ELECTRIC SHOCK, EXPLOSION, OR ARC FLASH**

- Apply appropriate personal protective equipment (PPE) and follow safe electrical work practices. See NFPA 70E.
- This equipment must be installed and serviced by qualified electrical personnel.
- Turn off all power supplying this equipment before working on or inside equipment.
- Always use a properly rated voltage sensing device to confirm power is off.
- Replace all devices, doors and covers before turning on power to this equipment.
- Do not touch the circuit breaker terminals or the test leads while the circuit breaker is being tested.

**Failure to follow these instructions will result in death or serious injury.**

### Field Testing Special 500 Vdc Circuit Breakers

These tests check the performance of thermal-magnetic trip molded case circuit breakers.

Do the performance tests in the order given to maximize the accuracy of the test results.

**NOTE:** Never do the contact resistance test before doing the instantaneous primary injection testing. The primary injection testing will ensure the contacts are clear of resistive films, oxidation and foreign material.

The following tests are intended to verify that a circuit breaker is operating properly. Precisely controlled factory testing conditions are used to establish the characteristic trip curves. If field test results fall outside the characteristic trip curve tolerance band, carefully evaluate the test conditions and methods for accuracy.

When questionable conditions or results are observed during inspection and performance tests, consult your local field sales office. Circuit breakers with accessories or factory modifications may require special investigation. If it is necessary to return a circuit breaker to the manufacturing facility, use proper packaging and packing materials to avoid shipping damage.

Square D UL Listed 500 Vdc circuit breakers are designed, manufactured and calibrated for use on ungrounded uninterruptable power supplies (UPS). The maximum nominal (loaded) voltage is 500 Vdc and the maximum floating (unloaded) voltage is 600 Vdc.

These circuit breakers are UL Listed when applied with all three poles connected in series as shown on the label of the circuit breaker. The series connection is customer provided and external to the circuit breaker.

Square D UL Listed 500 Vdc circuit breakers are special circuit breakers for dc applications only and must be tested using dc current.

- Select the correct time-current trip curve. The trip curves show both the thermal and magnetic trip ranges of the circuit breakers.
- Use a dc power supply to test the circuit breakers as follows:

Circuit Breaker	Time Constant <sup>1</sup>
≤ 400 A dc	≤ 20 ms
450–2500 A dc	≤ 25 ms

dc ripple constant ≤ 1% rms.

<sup>1</sup> Time constant is defined by UL 489 as “The time constant of the circuit is the time measured on the oscillogram where the current is 63.2 percent of the prospective current.”

- Make sure ambient temperature and circuit breaker temperature is 25° C ± 3 degrees.

- Remove the circuit breaker from the enclosure. If removing the circuit breaker is not practical, test the circuit breaker in the end-use equipment. If the test results fall outside of the trip curve tolerance, remove the circuit breaker from the enclosure and retest.
- Use correctly sized cable (per NEC tables) with a minimum of four feet (1.22 m) of cable per connection.
- Connect dc power supply to circuit breaker with all poles connected in series as shown on the circuit breaker label.
- Make sure connections to circuit breaker are properly torqued.
- Apply dc test current to trip the circuit breaker. The tripping mechanism in the circuit breaker reacts to the magnetic fields created by the current flowing through the circuit breaker. Apply a dc test current to the circuit breaker of approximately 70% of the expected value. If the circuit breaker does not trip, increase the test current on successive trials until it does trip. When the circuit breaker trips
  - a. Reset and close the circuit breaker
  - b. Reapply the dc test current to trip the circuit breaker again.
  - c. Record the current and compare to the trip curve.

### Field Testing AC Thermal-Magnetic Circuit Breakers

Recommended steps to accurately field test circuit breakers (see test procedures in this manual for specific information):

- Use correct test equipment.
- Make sure ambient temperature and circuit breaker temperature is  $25^{\circ}\text{C} \pm 3$  degrees.
- Remove the circuit breaker from the enclosure. If removing the circuit breaker is not practical, test the circuit breaker in the end-use equipment. If the test results fall outside of the trip curve tolerance, remove the circuit breaker from the enclosure and retest.
- Use correctly sized cable (per NEC tables) with a minimum of four feet (1.22 m) of cable per connection.
- Test each pole individually.
- Make sure connections to circuit breaker are properly torqued.
- Test circuit breaker and record findings. The tripping mechanisms in the circuit breaker react to the magnetic fields created by the current flowing through the circuit breaker. When current flow is near the trip point of the circuit breaker, the magnetic fields can cause false tripping due to vibration. Do the following steps to minimize the effects of false tripping:
  - a. After each current pulse or when circuit breaker trips, reset and turn the circuit breaker on.
  - b. Reapply the test current to trip the circuit breaker again.
  - c. Record the current and compare to the trip curve.

## Performance Tests

### Insulation Resistance Test

Severe environmental conditions can reduce the dielectric strength of molded case circuit breakers. Check insulation resistance during electrical system testing.

To check the insulation resistance, perform the following steps:

1. De-energize and isolate the circuit breaker.
2. Clean the circuit breaker as described earlier.

## CAUTION

### HAZARD OF EQUIPMENT DAMAGE

Do not apply test voltage to control circuits or accessory terminals; damage to electronic and/or low-voltage components can result.

**Failure to follow this instruction will result in equipment damage.**

3. Using a megohmmeter with a capacity of 500–1000 Vdc, apply voltage from:
  - a. Each phase-to-ground with the circuit breaker on (circuit breaker contacts closed).
  - b. Phase-to-phase with the circuit breaker on (circuit breaker contacts closed).
  - c. Between each line and load terminal with the circuit breaker off (circuit breaker contacts open).
4. Record resistance values. Resistance values of less than one megohm (1,000,000 ohm) should be investigated.

### Thermal-Magnetic Circuit Breaker Performance Tests

## ⚠ DANGER

### HAZARD OF ELECTRIC SHOCK, EXPLOSION, OR ARC FLASH

- Apply appropriate personal protective equipment (PPE) and follow safe electrical work practices. See NFPA 70E.
- This equipment must be installed and serviced by qualified electrical personnel.
- Turn off all power supplying this equipment before working on or inside equipment.
- Always use a properly rated voltage sensing device to confirm power is off.
- Replace all devices, doors and covers before turning on power to this equipment.

**Failure to follow these instructions will result in death or serious injury.**

### Inverse-Time Overcurrent Trip Test

1. Completely de-energize and remove the circuit breaker from service. Conduct the following tests at 300% of the circuit breaker ampere rating to verify the performance of the thermal tripping element on thermal-magnetic circuit breakers using a high-current, low-voltage ac power supply of less than 24 V.
2. Test in open air at 25°C (77°F) ambient temperature.
3. Trip times are measured from a “cold start.” A cold start, as defined by Underwriters Laboratories Inc. Standard 489 occurs at 25°C ± 3° (77°F ± 5°). Therefore, before beginning overcurrent testing, the circuit breaker must be in 25°C (77°F) ambient temperature long enough for all parts to reach that temperature. Circuit breakers that have been in higher ambient temperatures may take two to four hours to reach the steady state temperatures mentioned above.
4. Connect the circuit breaker to a power supply by using a minimum of four feet (1.2 m) of cable on each connection. Size the cable according to the ampere rating of the tested circuit breaker. Refer to the National Electrical Code Table 310-16; use the 75°C column for proper conductor sizing. Improperly sized cable will affect test results.
5. Test each pole of the circuit breaker individually at 300% of rated current using a high-current, low-voltage ac power supply.

**Table 2: Inverse-Time Overcurrent Trip Test<sup>1</sup>**

Rated Continuous Current	Maximum Trip Time	
	240 V	480 V / 600V
0–30 A	60 sec.	
31–50 A	80 sec.	100 sec.
51–100 A	140 sec.	160 sec.
101–150 A	200 sec.	250 sec.
151–225 A	230 sec.	275 sec.
226–400 A	300 sec.	350 sec.
401–600 A		450 sec.
601–800 A		500 sec.
801–1000 A		600 sec.
1001–1200 A		700 sec.
1201–1600 A		775 sec.
1601–2000 A		800 sec.
2001–2500 A		850 sec.
2501–5000 A		900 sec.

<sup>1</sup> For thermal-magnetic circuit breakers (at 300% of circuit breaker ampere rating). Derived from table 5-3, NEMA Standard AB 4-1996.

- Record and compare the trip test values to those in Table 2. As long as the recorded trip times are below the maximum trip times, the circuit breaker is providing acceptable thermal protection.

If verification of the manufacturer’s data is required, compare the trip times to the 300% trip range shown on the trip curve for the specific circuit breaker. If field test results fall outside the characteristic trip curve tolerance band, the test conditions and methods should be carefully evaluated for accuracy. A small error in test current results in a large error in trip time.

**Instantaneous (Magnetic) Trip Test**

This test simulates short-circuit conditions using a low-voltage test supply. To keep stray magnetic fields from affecting test results, test cables exiting the circuit breaker must be parallel with the current path of the circuit breaker for a minimum of 10 in (254 mm). Test results can also be influenced by the wave shape of the supply current. Use a power source with true sinusoidal output and a true RMS or analog ammeter to ensure accurate results. To verify the performance of the instantaneous (magnetic) trip element, proceed as follows:

**NOTE:** Test PA and PH circuit breakers with the circuit breaker mounted on a terminal pad kit (catalog number PALTB). PC circuit breakers should be tested with the circuit breaker mounted on the terminal pad kit provided with the circuit breaker.

Test NA and NC circuit breakers in the end-use equipment or lying flat on a piece of 1/8 in. (3 mm) thick steel.

- Set the circuit breaker instantaneous (magnetic) trip adjustment, if provided, to the high setting. Tests conducted at the high setting ensure instantaneous trip protection exists at all lower settings.
- Connect the circuit breaker to the low-voltage test source with any convenient length of conductor.
- Test each pole individually by the pulse method as follows:

The pulse method requires that the test equipment have a controlled closing and a pointer-stop ammeter, a calibrated image-retaining oscilloscope, or a high-speed, sampling-rate digital ammeter. The pulse method involves the following steps:

- Connect one pole of the test circuit breaker to the test equipment.
- Set the current control of the test equipment to a value approximately 70% of the instantaneous trip current setting.  
Example: If the instantaneous (magnetic) trip setting is 2000 A, set the test equipment to 1400 A.
- After the circuit breaker is properly connected and adjusted, apply current in approximately 10-cycle pulses.
- Starting at 70% of the instantaneous trip setting, increase the current of each pulse until the circuit breaker trips. After each pulse, move the circuit breaker handle to the full reset position and then to the on position.
- Repeat step D to recheck and verify this value. Start with the current level below the value measured in step D to ensure a “no trip” on the initial pulse.

- Record current level and trip time. To ensure protection of the rated conductor, the current necessary to trip the circuit breaker instantaneously must not exceed 140% of the high setting for circuit breakers 250 A frame size and below, and 125% of the high setting for circuit breakers 400 A frame size and above. These settings are printed

on the faceplate label of the circuit breaker. If currents higher than these maximum levels are necessary to trip the circuit breaker, consult your local field sales office.

If field test results fall outside the characteristic trip curve tolerance band, the test conditions and methods must be carefully evaluated for accuracy.

#### **Rated Current Hold-In Test**

This test should be performed only on circuit breakers that have been nuisance tripping under normal conditions.

Conduct the test in a 25°C (77°F) ambient temperature using a high-current, low-voltage ac power supply. Follow the same procedure used in the Inverse-time Overcurrent Trip Test, steps 1-3, page 14. Connect all poles of the circuit breaker in series using cables with the appropriate ampacity for the application. These cables should be 4 ft. (1.22 m) long per terminal (8 ft. [2.43 m] total between poles). All connectors must be properly torqued according to the circuit breaker label specifications.

The circuit breaker should not trip when 100% of the device's rated current is applied for one hour for circuit breakers rated less than 100 A, or two hours for circuit breakers rated more than 100 A. If the circuit breaker trips, reset and move the handle from the off to on position several times while under load, then repeat the test. If the tripping condition continues, contact your local field sales office.

#### **Contact Resistance Test**

Circuit breaker pole resistance tests are not reliable indicators of circuit breaker performance because the resistance values are influenced by a number of transient factors including contact surface oxidation, foreign material between the contacts, and testing methods. NEMA AB 4 paragraph 6.4.1 states: "The millivolt drop of a circuit breaker pole can vary significantly due to inherent variability in the extreme low resistance of the electrical contacts and connectors. Such variations do not necessarily predict unacceptable performance and shall not be used as the sole criteria for determination of acceptability."

High pole resistance may also be caused by eroded contacts, low contact force, and loose termination. The only one of these factors likely to be present on a new circuit breaker is a loose termination, since the contacts are new and there has been no opportunity for contact pressure to have drifted from the factory setting. A loose termination can be corrected in the field.

If a contact resistance test is done, it is important to do it after the contacts have been conditioned by instantaneous primary injection testing to ensure the contacts are clear of resistive films, oxidation and foreign material. If the circuit breaker has been in service with no performance issues, (overheating or nuisance tripping), contact resistance measurements are redundant and of little value.

Square D recommends that a DLRO (Digital Low Resistance Ohmmeter) be used, using a 10 A dc test current for circuit breaker ratings below 100 A, and using 100 A dc for circuit breakers rated 100 A and above. The median (middle) value of three readings (toggling the circuit breaker between each reading) should be recorded for each pole tested. If this value is equal to or less than the value listed in Table 3, the pole is acceptable. If the reading is higher, the cause should be investigated and corrected if possible. Contact your local field office for more information.



**Table 3: Maximum Micro-Ohms Per Pole**

Circuit Breaker		Micro-Ohms	Circuit Breaker		Micro-Ohms	Circuit Breaker		Micro-Ohms	Circuit Breaker		Micro-Ohms					
Type	Rating	(u ohm)	Type	Rating	(u ohm)	Type	Rating	(u ohm)	Type	Rating	(u ohm)					
FA, FH, FC	15	38,400	KA, KH	70	3,420	MA, MH	125	1,970	JD, JG, JJ, JL	150	890					
	20	23,100		80	2,620		175	1,120		175	680					
	25	14,800		90	2,390		200	890		200	540					
	30	10,400		100	1,930		225	730		225	430					
	35	7,860		110	1,620		250	600		250	350					
	40	6,010		125	1,250		300	425	NSF, CG, CJ	16	35,000					
	45	5,180		150	890		350	322		25	14,000					
	50	4,190		175	680		400	246		32	7,000					
	60	2,910		200	540		500	180		40	6,000					
	70	2,340		225	430		600	140		50	4,000					
FD, FG, FJ	80	1,790	LA, LH	250	350	HD, HG, HJ, HL	700	115	NSJ	63	2,800					
	90	1,430		110	1,620		800	96		80	1,700					
	100	1,160		125	1,250		900	83		100	1,100					
	FI	15		34,700	KC, KI		150	890			1000	67	400	240		
				20			19,500	175			680	15	35,000	600	140	
				25			12,500	200			540	20	23,000	MG, MJ	300	780
				30			9,550	225			430	25	14,000		350	570
				35			7,020	250			350	30	10,400		400	440
				40			6,800	125			1,500	35	7,860		450	350
				45			5,780	150			1,200	40	6,010		500	280
50			5,000	175		980	45	5,180	600		190					
60			4,120	200		770	50	4,190	700		140					
70			3,510	225		610	60	2,910	800		110					
80	3,170	250	500	70	2,340	NA, NC	600	138								
90	2,510	300	350	80	1,790		700	131								
100	2,260	350	260	90	1,430		800	105								
110	2,060	400	200	100	1,160		900	100								
125	1,800	300	589	220	1,620		1000	82								
FI	20	26,200	LI, LC	350	513		125	1,250	1200	69						
		25		17,700	400		308	150	230	600	132					
		30		12,300	450		310	PA, PH, PC	700	123						
		35		9,070	500		286		800	100						
		40		7,330	600		209		1000	77						
		45		5,790			1200		66							
		50		4,930			1400		61							
		60		3,420			1600		50							
		70		3,020			1800		43							
		80		2,310			2000		38							
90	1,980	2500	33													
100	1,600															

**Remove Test Connections**

Upon completing testing:

- Remove test connections from circuit breaker.
- Inspect connections for damage caused by testing.

**Additional Information**

For more information concerning Square D Circuit breakers, refer to the appropriate instruction manual. These manuals contain installation instructions, mounting information, safety features, wiring diagrams, and troubleshooting charts for specific circuit breakers.

## Section 4—Masterpact® and PowerPact® Circuit Breaker Performance Tests

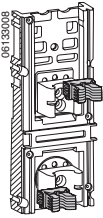
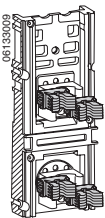
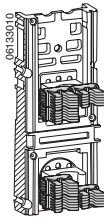
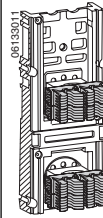
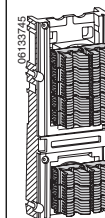
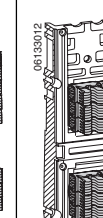
### Cluster Inspection (Masterpact Drawout Circuit Breakers Only)

These tests check the performance of Masterpact® and PowerPact® electronic trip circuit breakers.

For Masterpact drawout circuit breakers:

1. Inspect cluster and cluster supports on back of circuit breaker. Make sure clusters are installed properly as shown in Table 4.
2. Visually inspect clusters for wear or signs of damage such as:
  - Discolored areas
  - Visible copper on fingers
  - Cracked or broken springs
  - Missing clusters
  - Not aligned with other cluster (indicates spring damage)
3. Visually inspect clusters for wear.
4. Check that all clusters have cluster retainers, see page 20. If cluster retainers are not installed, install as shown on page 20.

**Table 4: Cluster Configuration**

Number of Clusters Per Pole					
2	4	6	8	16	24
					

### Cluster Replacement

## CAUTION

#### HAZARD OF EQUIPMENT DAMAGE

- If clusters are removed for any reason, clusters must be installed using cluster positioning tool S47542.
- Lubricate clusters as shown in Cluster Lubrication on page 22.
- Reset clusters as shown in “Reset Cluster Springs” on page 22.
- Do not install anything in the cluster jaw except 3/8 in. (9.5 mm) wide bus bar or Cluster Reset Tool, catalog number CLUSRETOOL.

**Failure to follow these instructions can result in equipment damage.**

If Masterpact NW clusters are worn or damaged, or if clusters are removed for any reason, clusters must be installed using cluster positioning tool S47542.

**Table 5: Number of Clusters Per Pole**

Type	N / N1	H1	HA	H / H2 / H3 / HF	L / L1 / LF / L1F / HB / NC	
V ~	NW08	2	4	4	4 / 6 / 6 / 4	8
	NW12	2	—	—	4	8
	NW16	6	6	6	6	8
	NW20	8	8	8	8	16
	NW25 / NW30	—	—	—	16	16
	NW32	—	16	16	16	24
	NW40/NW50	—	—	24	24	24
	NW60	—	—	—	24	24
V =	NW80 / NW12 / NW16 / NW20 / NW25	8				
	NW30 / NW40	16				

**Table 6: Cluster Retention Kits**

Description	Frame Size	Interruption Type	Clusters per Pole	Cluster Retention Kits		Retainer Color	
				3P	4P	Upper	Lower
UL489 Listed Masterpact NW Circuit Breaker	800/1600 A	N/H	2, 4 or 6	CRK2000A3P	CRK2000A4P	No Color	No Color
		L/LF	8	CRK2000A3P	N/A	No Color	No Color
	2000 A	N/H	8	CRK2000A3P	CRK2000A4P	No Color	No Color
		L/LF	16	CRK3000L3P	N/A	Red	Black
	2500/3000 A	H	16	CRK3200A3P	CRK3200A4P	Red	Black
		L	16	CRK3000L3P	N/A	Red	Black
	4000/5000/6000 A	H	24	CRK6000A3P	CRK6000A4P	Black	Black
		L	24	CRK6000A3P	N/A	Black	Black
UL489 Listed Masterpact NW Automatic Switches	800/1600 A	HF	4 or 6	CRK2000A3P	CRK2000A4P	No Color /	No Color
		HB	8	CRK2000A3P	N/A	No Color	No Color
	2000 A	HF	8	CRK2000A3P	CRK2000A4P	No Color /	No Color
		HB	16	CRK3000L3P	N/A	Red	Black
	2500/3000 A	HF	16	CRK3200A3P	CRK3200A4P	Red	Black
		HB	16	CRK3000L3P	N/A	Red	Black
	4000/5000/6000 A	HF	24	CRK6000A3P	CRK6000A4P	Black	Black
		HB	24	CRK6000A3P	N/A	Black	Black
ANSI C37 Certified Masterpact NW Circuit Breaker	800/1600 A	N1/H1/H2/H3	2, 4 or 6	CRK2000A3P	CRK2000A4P	No Color	No Color
		L1/L1F	8	CRK2000A3P	N/A	No Color	No Color
	2000 A	H1/H2/H3	8	CRK2000A3P	CRK2000A4P	No Color	No Color
		L1/L1F	16	CRK3000L3P	N/A	Red	Black
	3200 A	H1/H2/H3	16	CRK3200A3P	CRK3200A4P	Red	Black
		L1	24	CRK6000A3P	N/A	Black	Black
	4000/5000 A	H2/H3	24	CRK6000A3P	CRK6000A4P	Black	Black
		L1	24	CRK6000A3P	N/A	Black	Black
ANSI C37 Certified Masterpact NW Non-Automatic Switches	800/1600 A	HA	4 or 6	CRK2000A3P	CRK2000A4P	No Color	No Color
	2000 A	HA	8	CRK2000A3P	CRK2000A4P	No Color	No Color
	3200 A	HA	16	CRK3200A3P	CRK3200A4P	Red	Black
	4000/5000 A	HA	24	CRK6000A3P	CRK6000A4P	Black	Black
ANSI C37 Certified Masterpact NW Automatic Switches	800/1600 A	HF	4 or 6	CRK2000A3P	CRK2000A4P	No Color	No Color
		HC	8	CRK2000A3P	N/A	No Color	No Color
	2000 A	HF	8	CRK2000A3P	CRK2000A4P	No Color	No Color
		HC	16	CRK3000L3P	N/A	Red	Black
	3200 A	HF	16	CRK3200A3P	CRK3200A4P	Red	Black
		HC	24	CRK6000A3P	N/A	Black	Black
	4000/5000 A	HF	24	CRK6000A3P	CRK6000A4P	Black	Black
		HC	24	CRK6000A3P	N/A	Black	Black
UL489 Listed Masterpact NW DC Circuit Breakers	800/1200/1600/2000/2500 A	All	8	CRK2500D2P	N/A	No Color	No Color
	3000/4000 A	All	16	CRK4000D2P	N/A	Red	Black
Cluster Retainer Clip	All	All	—	CRCLIP	—	—	—

## ⚠ DANGER

### HAZARD OF ELECTRIC SHOCK, EXPLOSION OR ARC FLASH

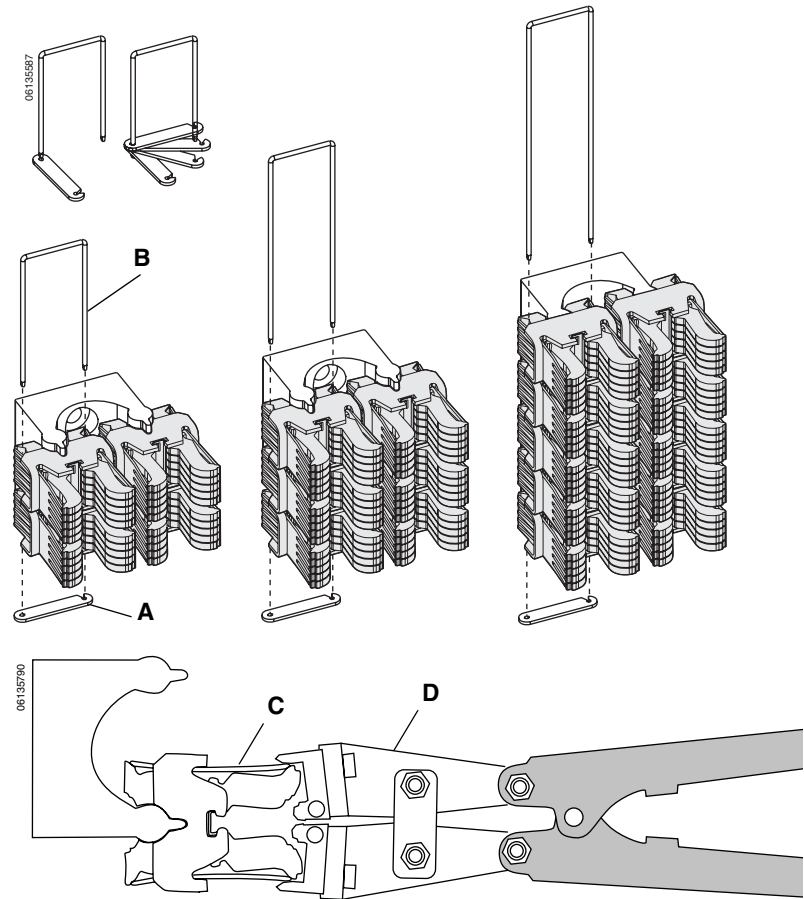
Install the correct cluster retainer identified by color depending on circuit breaker size and type. See Table 6.

**Failure to follow these instructions will result in death or serious injury.**

**NOTE:** Cluster retainer clip (A) cannot be reused. Use new cluster retainer clip, part number CRCLIP.

1. Replace worn or damaged clusters on all cluster configurations except lower clusters on 16 and 24 cluster configurations.
  - a. Remove cluster retainer clip (A) and cluster retainer (B), if equipped. Discard cluster retainer clip. Remove worn or damaged clusters.
  - b. Install new clusters (C) using cluster positioning tool S47542 (D).
  - c. Secure clusters using cluster retainer (B) and new cluster retainer clip (A). See Table 6 for correct cluster retention kit and cluster retainer color.

Figure 1: Cluster Replacement



**⚠ DANGER**

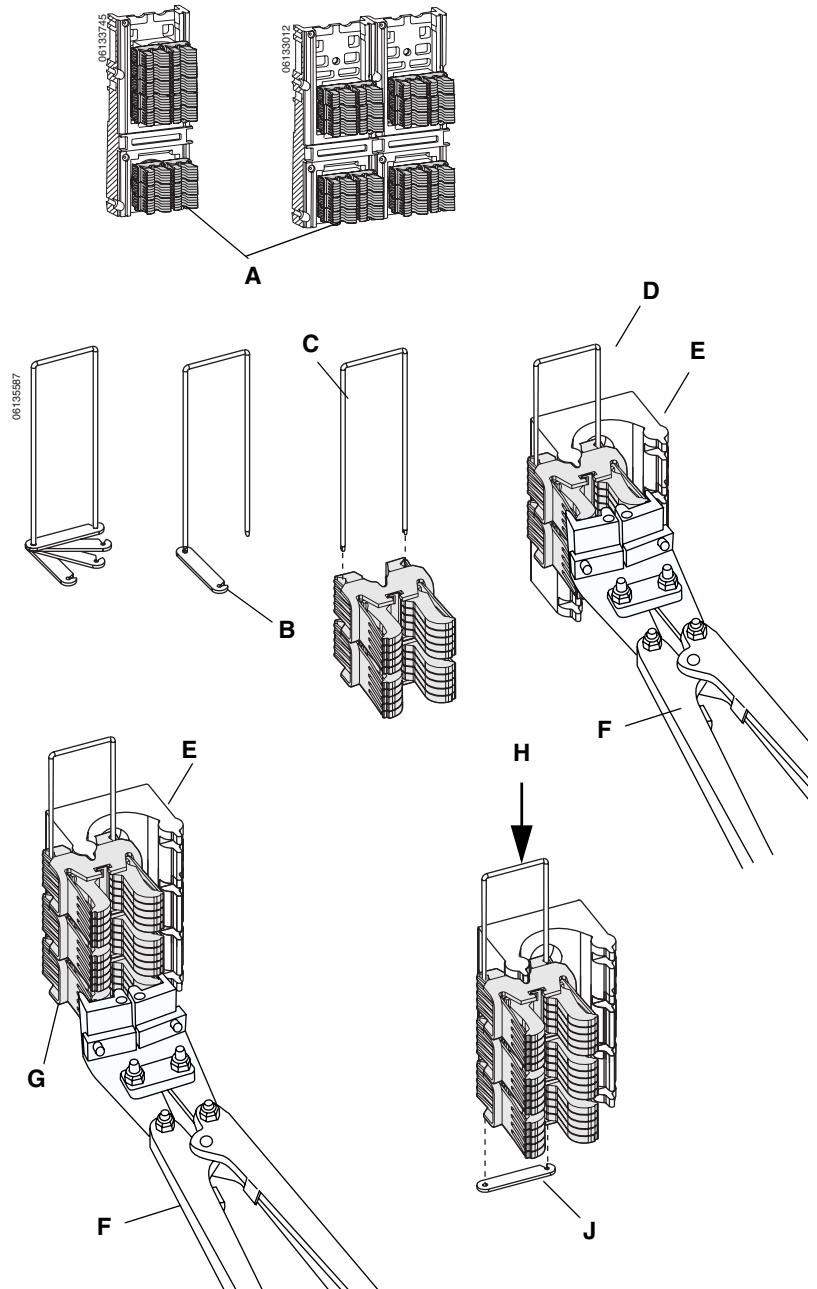
**HAZARD OF ELECTRIC SHOCK, EXPLOSION OR ARC FLASH**

Install the correct cluster retainer identified by color depending on circuit breaker size and type. See Table 6.

**Failure to follow these instructions will result in death or serious injury.**

2. Replace worn or damaged clusters on lower set of clusters on 16 and 24 cluster configurations (A):
  - a. Remove cluster retainer clip (B) and cluster retainer (C), if equipped. Discard cluster retainer clip. Remove all clusters, discard worn or damaged clusters.
  - b. Slide cluster retainer (C) through two clusters until bottom of cluster retainer is even with bottom of lower cluster. See Table 6 for correct cluster retention kit and cluster retainer color.
  - c. Install the two clusters and cluster retainer (D) on top two notches of cluster support (E) using cluster positioning tool S47542 (F).
  - d. Install the third cluster (G) on bottom notch of cluster support (E) using cluster positioning tool S47542 (F).
  - e. Slide cluster retainer (H) through third cluster and secure using new cluster retainer clip (J).
  - f. Repeat for clusters on other side of cluster support.

**Figure 2: Cluster Replacement**



## Reset Cluster Springs

Reset clusters using a 3/8 in. (9.5 mm) wide piece of bus bar (A) or Cluster Reset Tool (B, catalog number CLUSRETOOL).

- Lubricate sides (C) of cluster reset tool using grease kit (catalog number S48899).
- The clusters must be reset every time the circuit breaker is removed from the cradle.
- The clusters must be reset after primary injection testing.

## Cluster Lubrication

Use grease kit (catalog number S48899) to lubricate cluster jaws as shown in Figure 4.

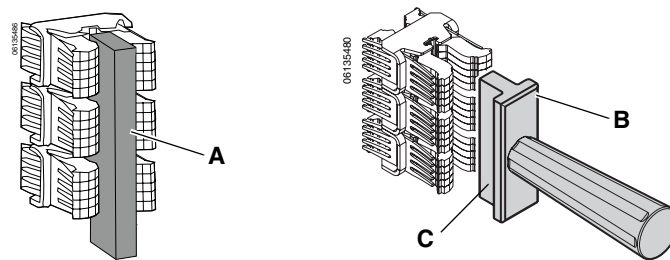
### **⚠ DANGER**

#### **HAZARD OF CLUSTER MISALIGNMENT OR DISENGAGEMENT**

Clusters must be reset with or without cluster clips to reduce the risk of cluster misalignment or disengagement.

**Failure to follow this instruction will result in serious injury or death due to arc flash or burn.**

**Figure 3: Reset Cluster Spring**



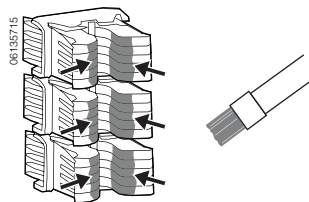
### **CAUTION**

#### **HAZARD OF EQUIPMENT DAMAGE**

Inspect the cluster for lubrication when the circuit breaker is removed from the cradle.

**Failure to follow this instruction can result in equipment damage**

**Figure 4: Cluster Grease Application**



### Cradle Stab Lubrication

The cradle stabs must be inspected and lubricated when the cradle is first installed and again during maintenance periods after all power has been disconnected.

Confirm that both sides of stab are coated with lubricant. If necessary, use grease kit (catalog number S48899) to lubricate stab.

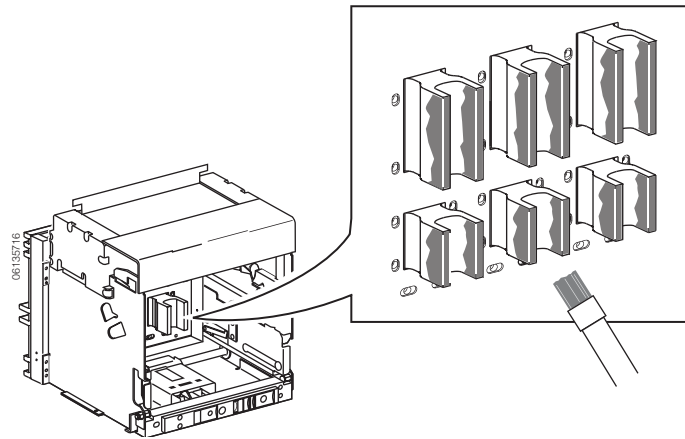
**⚠ DANGER**

**HAZARD OF ELECTRIC SHOCK, EXPLOSION OR ARC FLASH**

- Apply appropriate personal protective equipment (PPE) and follow safe electrical work practices. See NFPA 70E.
- This equipment must be installed and serviced only by qualified electrical personnel.
- Turn off all power supplying this equipment before working on or inside equipment.
- Always use a properly rated voltage sensing device to confirm power is off.
- Replace all devices, doors and covers before turning on power to this equipment.

**Failure to follow these instructions will result in death or serious injury.**

Figure 5: Cradle Stab Grease Application



### Circuit Breaker Installation From the Drawout Position to the Disconnect Position

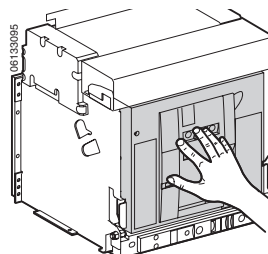
**⚠ DANGER**

**HAZARD OF CLUSTER MISALIGNMENT OR DISENGAGEMENT**

Use of excessive force when pushing the circuit breaker to the disconnect position beyond the force required to overcome normal installation resistance may result in cluster misalignment or disengagement.

**Failure to follow this instruction will result in serious injury or death due to arc flash or burn.**

Figure 6: Installation from Withdrawn to Disconnect Position



## Performance Tests

### **⚠ DANGER**

#### **HAZARD OF ELECTRIC SHOCK, EXPLOSION, OR ARC FLASH**

- Apply appropriate personal protective equipment (PPE) and follow safe electrical work practices. See NFPA 70E.
- This equipment must be installed and serviced by qualified electrical personnel.
- Turn off all power supplying this equipment before working on or inside equipment.
- Always use a properly rated voltage sensing device to confirm power is off.
- Replace all devices, doors and covers before turning on power to this equipment.
- Do not touch the circuit breaker terminals or the test leads while the circuit breaker is being tested.

**Failure to follow these instructions will result in death or serious injury.**

### **Dielectric Testing Masterpact Circuit Breakers with Micrologic P or H Trip Systems.**

### **CAUTION**

#### **HAZARD OF EQUIPMENT DAMAGE**

- Dielectric tests (high potential, insulation resistance, or Megger tests) may damage Micrologic® P and H trip units.
- Remove rating plug from trip unit prior to testing.
- Replace trip unit if rating plug was not removed during tests or if trip unit was exposed to more than 700 Vac.

**Failure to follow these instructions can result in equipment damage.**

Do the performance tests in the order given to maximize the accuracy of the test results.

**NOTE:** Never do the contact resistance test before doing the instantaneous primary injection testing. The primary injection testing will ensure the contacts are clear of resistive films, oxidation and foreign material.

The following tests are intended to verify that a circuit breaker is operating properly. Precisely controlled factory testing conditions are used to establish the characteristic trip curves. If field test results fall outside the characteristic trip curve tolerance band, carefully evaluate the test conditions and methods for accuracy.

When questionable conditions or results are observed during inspection and performance tests, consult your local field sales office. Circuit breakers with accessories or factory modifications may require special investigation. If it is necessary to return a circuit breaker to the manufacturing facility, use proper packaging and packing materials to avoid shipping damage.

Dielectric tests (high potential, insulation resistance or Megger tests) are used to ensure the proper isolation and insulation between phases and between each phase and ground. The equipment used to conduct these tests creates a high-potential voltage (thousands of volts) to verify dielectric or insulation integrity.

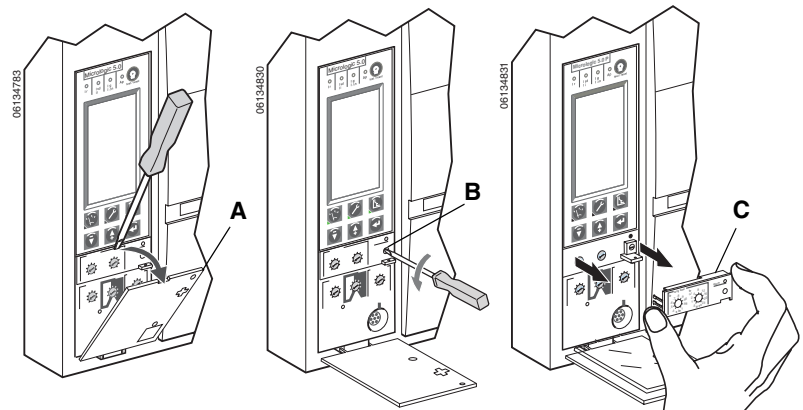
The rating plug connects/disconnects the trip unit with the voltage connections in the circuit breaker. Before conducting any high-voltage tests, remove the rating plug as shown

**NOTE:** Only Micrologic P and H trip units have phase voltage connections into the trip unit. For other types of trip units, it is not necessary to remove the rating plug prior to dielectric testing.



1. Open switch cover (A).
2. Unscrew rating plug mounting screw (B).
3. Remove rating plug (C).

**Figure 7: Removing Rating Plug**



## CAUTION

### HAZARD OF EQUIPMENT DAMAGE

Do not apply test voltage to control circuits or accessory terminals; damage to electronic and/or low-voltage components can result.

**Failure to follow this instruction will result in equipment damage.**

### Insulation Resistance Test

Severe environmental conditions can reduce the dielectric strength of molded case circuit breakers. Check insulation resistance during electrical system testing.

To check the insulation resistance, perform the following steps:

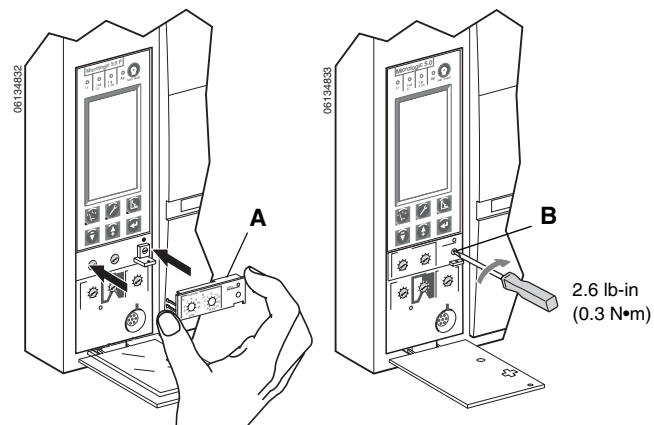
1. De-energize and isolate the circuit breaker:
2. Clean the circuit breaker as described earlier.
3. Using a megohmmeter with a capacity of 500–1000 Vdc, apply voltage from:
  - a. Each phase-to-ground with the circuit breaker on (circuit breaker contacts closed).
  - b. Phase-to-phase with the circuit breaker on (circuit breaker contacts closed).
  - c. Between each line and load terminal with the circuit breaker off (circuit breaker contacts open).
4. Record resistance values. Resistance values of less than one megohm (1,000,000 ohm) should be investigated.

After testing is complete:

1. Replace rating plug (A).
2. Tighten rating plug mounting screw (B).

**NOTE:** If the rating plug is not installed, the circuit breaker will default to a long-time pickup setting of 0.4 x the sensor (In) and some of the advanced functions will not be operable.

**Figure 8: Replacing Rating Plug**



## Micrologic® Trip Unit Checks

Circuit breaker with Micrologic® trip units can have their trip unit operation tested with secondary injection testing using the Hand-Held Test Kit or the Full-Function Test Kit.

Secondary injection testing does not test the current transformers and connections. Primary injection testing can be used to ensure that all trip system connections have been correctly made.

If the circuit breaker is tested by the primary injection method, the Powerlogic® system can remain connected to the circuit breaker during testing without affecting the results.

**NOTE:** Testing a circuit breaker connected to a Powerlogic system causes the Powerlogic system to react as if the circuit breaker were experiencing the actual faults.

## Procedure to Defeat Zone-Selective Interlocking

Zone-selective interlocking is a method of communication between electronic-trip overcurrent protective devices. Zone-selective interlocking allows interlocked devices at different levels to work together as a system in which a short circuit or ground fault is isolated and cleared with minimum time delay. The purpose of defeating zone-selective interlocking is to verify the characteristics of the specific circuit breaker short-time and ground-fault trip delay functions. For test purposes, Zone-selective interlocking can be inhibited on Masterpact circuit breakers equipped with Micrologic® trip units by using the Hand-held or Full-function Test Kit.

## Secondary Injection

Field installation of a trip unit requires secondary injection testing with a Full-function Test Kit. This will ensure that the newly-installed trip unit is functioning properly. The test will require opening and closing the circuit breaker. Follow the procedures outlined in the instruction bulletins shipped with the circuit breaker and the Full-function Test Kit.

1. Make sure the circuit breaker is isolated from all upstream and downstream devices.
2. Perform secondary injection testing as outlined in the instruction bulletin shipped with the full-function test kit. Verify that all applicable trip unit functions are operating properly.
3. Repeat step 2 with the circuit breaker in the open position.

**NOTE:** The test kit states that the circuit breaker should be closed when performing the test. Do not close the circuit breaker for this step.

4. If any test fails, do not put the circuit breaker into service and contact the local sales office for factory authorization service.

## Primary Injection Testing

### CAUTION

#### HAZARD OF EQUIPMENT DAMAGE

- Circuit breakers are heavy and can be damaged with improper handling. Use care when handling and transporting circuit breaker to test equipment.
- Make connection to the circuit breaker carefully using rated cable and appropriate connection methods. Do not use clamps or other methods that can score or otherwise damage the finish of the connectors.
- When connecting a drawout-type circuit breaker, use approved primary injection test kit. Adjust circuit breaker position so circuit breaker clusters align with the primary injection test kit.

**Failure to follow these instructions can result in equipment damage.**

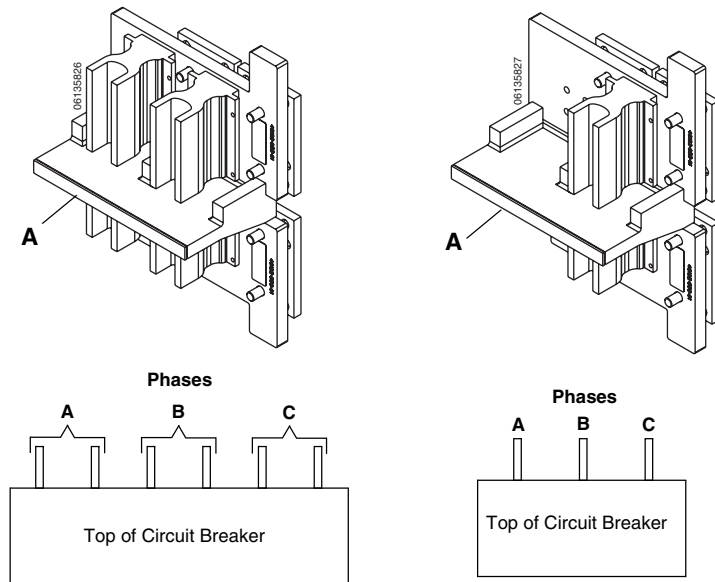
Primary injection testing can be used to ensure that all trip system connections have been correctly made.

1. If performing primary injection testing on drawout circuit breakers, connect circuit breaker to power supply using primary injection test kits.

**Table 7: Primary Injection Test Kit**

Circuit Breaker Type	Power Supply	Test Kit Required
Masterpact NW	Phenix	ULW10025
	MultiAmp	ULW10026
Masterpact NT	Phenix or MultiAmp	ULW10027
PowerPact	Phenix or MultiAmp	ULW10027
All Types	Other Than Phenix or MultiAmp	Contact Field Office

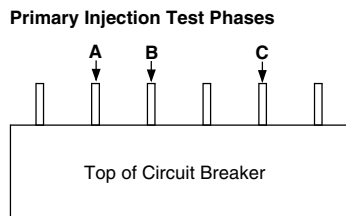
**Figure 9: Typical Primary Injection Test Adapter**



- a. Install primary injection test kit following instructions shipped with the test kit.
  - b. Adjust height of the circuit breaker so the stop (A, above) between the top and bottom plates of the test kit is between the top and bottom connectors of the circuit breaker when it is in the connected positions.
  - c. Align the circuit breaker so that the clusters on the circuit breaker phase being tested line up with the connectors with the primary injection test kit.
  - d. Use grease kit, catalog number S48899, to lubricate connectors. Do not install anything in the cluster jaw except approved test kit.
2. If performing primary injection testing on fixed circuit breakers, connect circuit breaker to power supply using rated cable and appropriate connection method.

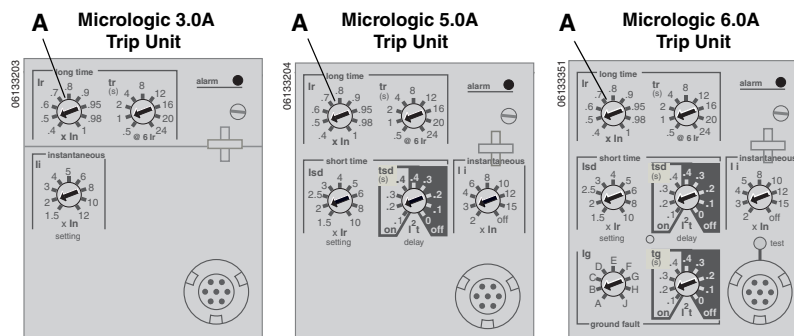
**NOTE: Wide-construction circuit breakers only**—When primary injection testing a circuit breaker with six bus connectors, current is injected into phases as shown in **Figure 10**. Do not inject current into outside busses.

**Figure 10: Wide-Construction Circuit Breakers**



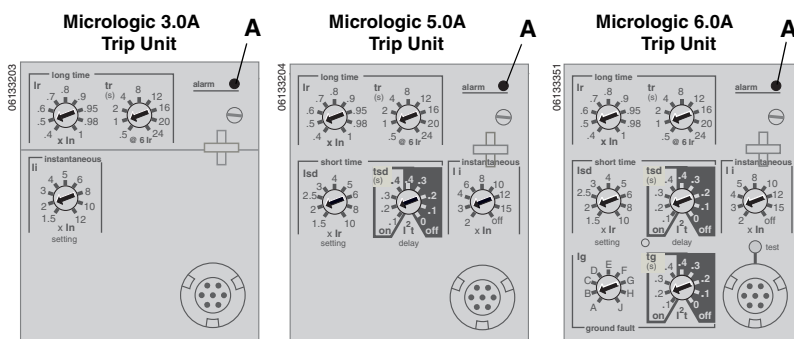
- Record each of the original trip unit switch settings. (Settings must be reset after testing is complete.)
- Set the long-time pickup (I<sub>r</sub>) switch (A) to the minimum setting.

**Figure 11: Record Switch Settings**



- For ground-fault and/or zone-selective interlocked trip units, use the hand-held or full-function test kit to inhibit ground-fault and zone-selective interlocking functions.
- If an auxiliary power supply is being used for the Micrologic trip unit, disconnect the auxiliary power supply.
- Find the primary injection current needed by multiplying the long-time pickup current (long-time pickup setting I<sub>r</sub> x sensor plug I<sub>n</sub>) x 125% (i.e. I<sub>r</sub> x I<sub>n</sub> x 1.25).
- Inject primary current into A-phase and monitor the overload indicator light. Verify that the overload indicator light (A) lights between 105% and 120% of the I<sub>r</sub> x I<sub>n</sub> value.
- Repeat for all phases and neutral (if applicable).
- If overload indicator light does not light correctly, check all trip unit connections and test setup. If unit still fails primary injection testing, contact the local sales office.

**Figure 12: Overload Indicator Light**



**Circuit Breakers with Integral Ground Fault Protection**

Micrologic® electronic-trip circuit breakers with the integral ground-fault protection function require special attention when testing overload and short-circuit functions. The single-pole primary injection tests for the inverse-time overcurrent, short-time and instantaneous functions will cause ground-fault trips due to the return current path not going through the circuit breaker. To overcome this difficulty, use the Hand-Held or Full-Function Test Kit to defeat the ground-fault function on Masterpact or PowerPact circuit breakers equipped with Micrologic trip units.

### Ground-Fault Protection and Indication Only Tests for Radial Systems

## ⚠ DANGER

**HAZARD OF ELECTRIC SHOCK, EXPLOSION, OR ARC FLASH**

- Apply appropriate personal protective equipment (PPE) and follow safe electrical work practices. See NFPA 70E.
- This equipment must be installed and serviced by qualified electrical personnel.
- Turn off all power supplying this equipment before working on or inside equipment.
- Always use a properly rated voltage sensing device to confirm power is off.
- Replace all devices, doors and covers before turning on power to this equipment.

**Failure to follow these instructions will result in death or serious injury.**

### Ground-Fault Trip Test

The ground-fault function of a Micrologic® electronic-trip circuit breaker provides ground-fault protection for equipment with adjustable pickup and delay values. The ground-fault delay feature determines how long the circuit breaker waits before initiating a trip signal during a ground fault. Performance of the ground-fault functions of the circuit breaker can be tested using a high-current, low-voltage ac power supply.

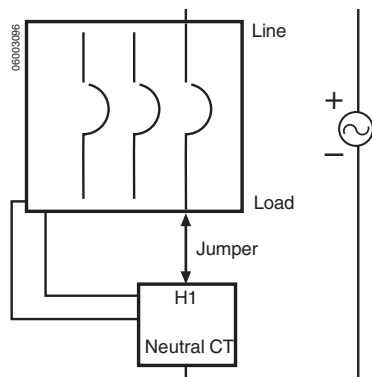
#### Test Procedure

1. Completely de-energize and remove the circuit breaker from service.
2. Before testing, record pickup and delay setting for all functions. Reset the trip unit to these same settings after the test procedure is completed.
3. If testing a circuit breaker that is equipped with zone-selective interlocking, follow the procedure to defeat zone-selective interlocking on page 26. If you are using a secondary injection test kit for these tests, carefully read and follow the test kit instructions about zone-selective interlocking.

**NOTE:** Failure to defeat zone-selective interlocking will result in trip time inaccuracy.

4. Use these settings for the test:
    - Long-time Pickup/Ampere Rating = Max.
    - Long-time/Overload Delay = Max
    - Short-time/Short-circuit Delay = Max. ( $I^2t$  IN or ON)
    - Instantaneous = Max.
    - Ground-fault Pickup = Min.
    - Ground-fault Delay = 0.2
  5. Follow the hookup procedure appropriate to the test application.
    - For circuit breakers without a neutral current transformer, go to step 8.
    - For circuit breakers with the integral ground-fault function in a three-phase, four-wire system, an externally-mounted neutral current transformer (CT) must be used. The neutral CT is connected to the circuit breaker by a shielded cable (14 AWG [2.1 mm<sup>2</sup>] wire is recommended).
- NOTE:** When testing, disconnect or turn off 24 Vdc control power to F1 and F2, if equipped and disconnect the Hand-Held or Full-Function Test Kit from the trip unit, if connected.

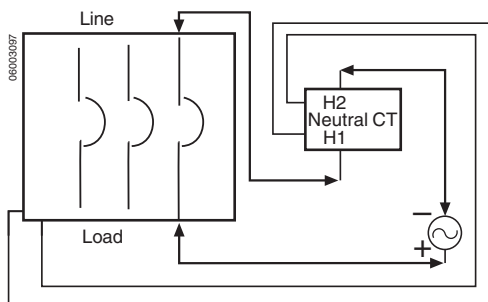
**Figure 13: Test Hookup Diagram for Neutral CT Phasing Test**



See circuit breaker instructions bulletin for connections to circuit breaker and neutral CT.

6. Verify correct phasing of the neutral CT (three-phase, four-wire systems) by performing a No Trip Test as follows:
  - a. Connect the circuit breaker and neutral CT as shown in Figure 13. The jumper must go from the load connection on the circuit breaker to the H1 connection on the neutral CT (or the side of the neutral CT that has the red dot). Connect the secondary of the neutral CT according to the circuit breaker instruction manual or the neutral CT instructions.
  - b. Apply current above the ground-fault pickup level and maintain longer than the ground-fault delay.
  - c. The circuit breaker must not trip. No trip indicates that both the phase CT and neutral CT are phased properly.

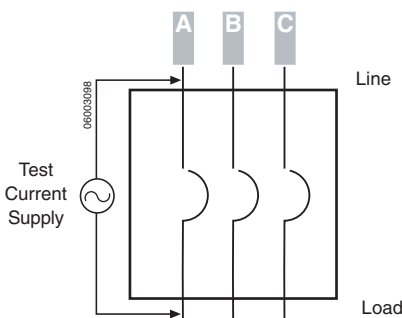
**Figure 14: Test Hookup Diagram for Neutral CT Size Test**



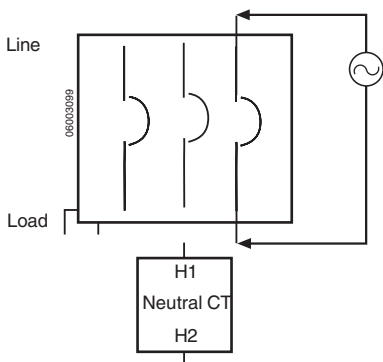
See circuit breaker instructions bulletin for connections to circuit breaker and neutral CT.

7. Verify the correct size of the neutral CT (three-phase, four-wire systems) by performing a Trip Test as follows:
  - a. Connect the circuit breaker and neutral CT as shown in Figure 14. Connect the polarity (+) terminal of the high current injection unit to the load side of the circuit breaker. The jumper must go from the line connection on the circuit breaker to the H1 connection on the neutral CT (or the side of the neutral CT that has the red dot). Connect the non-polarity (-) terminal of the high current injection unit to H2 on the neutral CT (on the line side of the circuit breaker). Connect the secondary of the neutral CT according to the circuit breaker instruction manual or the neutral CT instructions.
  - b. Apply current.
  - c. The circuit breaker must trip at half the value of the ground-fault pickup. Tripping indicates that both the phase CT and neutral CT have the same turns ratio (same size).

**Figure 15: Test Hookup Diagram for Circuit Breaker Without Neutral CT**



**Figure 16: Test Hookup Diagram for Ground-Fault Pickup and Delay Test**



8. Test ground fault pickup and delay by performing a trip test as follows:
  - a. Connect the circuit breaker as shown in Figure 15, (three-phase, three-wire systems) or Figure 16 (three-phase, four-wire systems).
 

**NOTE:** The recommended method of testing ground-fault pickup and delay is the “pulse” method. This method will be the most accurate, but requires that the test equipment have a calibrated image-retaining oscilloscope or high-speed sampling rate digital ammeter. An accurate timer is needed to monitor delay time.
  - b. After the circuit is properly connected and closed, apply current in short pulses of 10-cycle duration. Starting at 70% of the expected trip value, increase the current on each succeeding pulse until the circuit breaker trips.
  - c. Reclose the circuit breaker and reduce the current level; pulse again to determine if the pickup level found was overshoot.
  - d. Repeat steps b and c to further isolate the pickup point.
  - e. To determine delay time, test each pole of the circuit breaker individually at 150% of the ground-fault pickup setting. Monitor the time from this pickup point until the circuit breaker trips to obtain the delay time.
  - f. Record pickup and delay values and compare the results to the trip curve.

The ground-fault test can also be done using secondary injection testing using the Full-Function Test Kit. Secondary injection testing does not test the current transformers and connections.

**Table 8: Maximum Micro-Ohms Per Pole**

PowerPact		Micro-Ohms (u ohm)
Type	Rating	
DG, DJ, DL	400	240
	600	140
PG, PJ, PK, PL	250	488
	400	200
	600	114
	800	78
	1000	55
	1200	39
RG, RJ, RK, RL	600	106
	800	81
	1000	63
	1200	53
	1600	50
	2000	38
2500	33	
Masterpact		Micro-Ohms (u ohm)
Type	Drawout	Fixed
NT06—NT10 H1/H2/L1	38/72	26.39
NT12—NT16 H1/H2	36	26
NW08 N1	42	19
NW08 H/L	30	13
NW10 N1	42	19
NW10 H/L	30	13
NW12 N1	42	19
NW12 H/L	27	13
NW16 N1	37	19
NW16 H/L	27	13
NW20 H/L	27	13
NW25 H1/H2/H3	19	8
NW 32 H1/H2/H3	13	8
NW40 H1/H2/H3	11	8
NW40b, NW50, NW63	7	5

**Contact Resistance Test**

Circuit breaker pole resistance tests are not reliable indicators of circuit breaker performance because the resistance values are influenced by a number of transient factors including contact surface oxidation, foreign material between the contacts, and testing methods. NEMA AB 4 paragraph 6.4.1 states: “The millivolt drop of a circuit breaker pole can vary significantly due to inherent variability in the extreme low resistance of the electrical contacts and connectors. Such variations do not necessarily predict unacceptable performance and shall not be used as the sole criteria for determination of acceptability.”

High pole resistance may also be caused by eroded contacts, low contact force, and loose termination. The only one of these factors likely to be present on a new circuit breaker is a loose termination, since the contacts are new and there has been no opportunity for contact pressure to have drifted from the factory setting. A loose termination can be corrected in the field.

If a contact resistance test is done, it is important to do it after the contacts have been conditioned by instantaneous primary injection testing to ensure the contacts are clear of resistive films, oxidation and foreign material. If the circuit breaker has been in service with no performance issues, (overheating or nuisance tripping), contact resistance measurements are redundant and of little value.

Square D recommends that a DLRO (Digital Low Resistance Ohmmeter) be used, using a 10 A dc test current for circuit breaker ratings below 100 A, and using 100 A dc for circuit breakers rated 100 A and above. the median (middle) value of three readings (toggling the circuit breaker between each reading) should be recorded for each pole tested. If this value is equal to or less than the value listed in Table 8, the pole is acceptable. If the reading is higher, the cause should be investigated and corrected if possible. Contact your local field office for more information.

**Remove Test Connections**

Upon completing testing:

- Remove test connections from circuit breaker.
- Inspect connections for damage caused by testing.
- For drawout circuit breakers, inspect, lubricate, and reset clusters before installing circuit breaker, see page 18.
- Reset the long-time pickup switch to original settings, as recorded in above.
- If an auxiliary power supply is being used for the Micrologic trip unit, reconnect the auxiliary power supply.

**Additional Information**

For more information concerning Square D Circuit breakers, refer to the appropriate instruction manual. These manuals contain installation instructions, mounting information, safety features, wiring diagrams, and troubleshooting charts for specific circuit breakers.

## Section 5—Electronic Trip Circuit Breaker Performance Tests (Except Masterpact® and PowerPact® Circuit Breakers)

### General Circuit Breaker Performance Tests

#### **⚠ DANGER**

##### **HAZARD OF ELECTRIC SHOCK, EXPLOSION, OR ARC FLASH**

- Apply appropriate personal protective equipment (PPE) and follow safe electrical work practices. See NFPA 70E.
- This equipment must be installed and serviced by qualified electrical personnel.
- Turn off all power supplying this equipment before working on or inside equipment.
- Always use a properly rated voltage sensing device to confirm power is off.
- Replace all devices, doors and covers before turning on power to this equipment.
- Do not touch the circuit breaker terminals or the test leads while the circuit breaker is being tested.

**Failure to follow these instructions will result in death or serious injury.**

#### **CAUTION**

##### **HAZARD OF EQUIPMENT DAMAGE**

Do not apply test voltage to control circuits or accessory terminals; damage to electronic and/or low-voltage components can result.

**Failure to follow this instruction will result in equipment damage.**

Do the performance tests in the order given to maximize the accuracy of the test results.

**NOTE:** Never do the contact resistance test before doing the instantaneous primary injection testing. The primary injection testing will ensure the contacts are clear of resistive films, oxidation and foreign material.

The following tests are intended to verify that a circuit breaker is operating properly. Precisely controlled factory testing conditions are used to establish the characteristic trip curves. If field test results fall outside the characteristic trip curve tolerance band, carefully evaluate the test conditions and methods for accuracy.

When questionable conditions or results are observed during inspection and performance tests, consult your local field sales office. Circuit breakers with accessories or factory modifications may require special investigation. If it is necessary to return a circuit breaker to the manufacturing facility, use proper packaging and packing materials to avoid shipping damage. Repacking instructions are contained in the circuit breaker instruction manual.

#### **Insulation Resistance Test**

Severe environmental conditions can reduce the dielectric strength of molded case circuit breakers. Check insulation resistance during electrical system testing.

To check the insulation resistance, perform the following steps:

1. De-energize the isolate the circuit breaker:
2. Clean the circuit breaker as described earlier.
3. Using a megohmmeter with a capacity of 500–1000 Vdc, apply voltage from:
  - a. Each phase-to-ground with the circuit breaker on (circuit breaker contacts closed).
  - b. Phase-to-phase with the circuit breaker on (circuit breaker contacts closed).
  - c. Between each line and load terminal with the circuit breaker off (circuit breaker contacts open).
4. Record resistance values. Resistance values of less than one megohm (1,000,000 ohm) should be investigated.



## Micrologic® Electronic-Trip Circuit Breaker Tests

### **⚠ DANGER**

#### **HAZARD OF EQUIPMENT DAMAGE**

- Circuit breakers are heavy and can be damaged with improper handling. Use care when handling and transporting circuit breaker to test equipment.
- Make connection to the circuit breaker carefully using rated cable and appropriate connection methods. Do not use clamps or other methods that can score or otherwise damage the finish of the connectors.

**Failure to follow these instructions can result in equipment damage.**

### **Long-time Trip Test**

The long-time ampere rating defines the maximum level of current the circuit breaker will carry continuously. Micrologic® electronic-trip circuit breakers pick up and begin timing when a phase current exceeds  $110\% \pm 10\%$  of the ampere rating. The long-time delay feature permits variations of the circuit breaker inverse-time delay characteristic. This delay determines how long the circuit breaker will carry a sustained overcurrent before initiating a trip signal. Performance of the inverse-time overcurrent functions of the circuit breaker can be tested using a high-current, low-voltage ac power supply.

1. Completely de-energize and remove the circuit breaker from service.
2. Before testing, record pickup and delay settings for all functions. Important: reset the trip unit to these same settings after the test procedure is completed.
3. If the Micrologic circuit breaker has the integral ground-fault protection function, see test procedures for circuit breakers with integral ground fault, page 35, before continuing with the test procedure.
4. Use the following settings for the test:  
Long-time/Ampere Rating = Max  
Long-time/Overload Delay = Min.  
Short-time/Short Circuit = Max.  
Short-time/Short Circuit Delay = Max. ( $I^2t$  IN or ON)  
Instantaneous = Max.

**NOTE:** Labeling and trip unit functions are specified by the circuit breaker series and catalog numbers. Series and catalog numbers are printed on the circuit breaker.

5. Connect the circuit breaker to a high-current, low-voltage ac power supply. Connect the circuit breaker to the test power source with any convenient length of adequately sized wiring.
6. Test all phases of the circuit breaker individually, or in pairs, for integral ground-fault equipped circuit breakers as required in the special test procedure on page 35.
7. Use the slow “run-up” test method to determine the pickup level. Slowly increase the current until the long-time pickup light glows steadily; this is defined as the pickup level.

**NOTE:** All Micrologic electronic-trip circuit breakers are equipped with Long-time/Overload Memory or thermal imaging. The Long-time/Overload Memory can be reset by using the appropriate memory reset module. See the local field sales office for additional information of the memory reset modules and test kits. If the memory-reset module is not used, wait at least 15 minutes to allow the memory to clear and reset before proceeding with the tests.

8. To determine the delay time, set the current to 300% of the ampere rating value. Monitor the time from this pickup point until the circuit breaker trips; this is the delay time.
9. Record pickup and delay values and compare them to the appropriate trip curve.

The long-time trip test can also be done using the UTS-3 secondary injection test kit. These secondary injection test sets do not test the current transformers and connections.

### Short-Time Trip Test

The short-time pickup characteristic of a Micrologic electronic-trip circuit breaker adjusts the level of current at which the short-time delay begins timing. Short-time pickup levels are multiples of sensor size times the rating plug multiplier. The short-time delay function determines how long the circuit breaker will wait before initiating a trip signal during a short circuit.

Performance of the short-time functions of the circuit breaker can be tested using a high-current, low-voltage ac power supply.

1. If testing a circuit breaker that is equipped with zone-selective interlocking, follow the Procedure to Defeat Zone-Selective Interlocking on page 36. If you are using a secondary injection test kit for these tests, carefully read and follow the test kit instructions about zone-selective interlocking.

**NOTE:** Failure to defeat zone-selective interlocking will result in tripping with no intentional delay.

2. If the Micrologic trip unit is equipped with the integral ground-fault protection function, see test procedures for circuit breaker with integral ground-fault, page 35, before continuing.
3. SE drawout circuit breakers with the integral ground-fault protection function require an adapter plug (catalog number SEPITK2) when completely removed from the cradle. The adapter plug makes the necessary jumper connections on the secondary circuit. These jumper connections are normally made when the circuit breaker is in the connected position. Follow the instructions provided with the plug to ensure proper application.
4. Use the following settings for the test:  
 Long-time Pickup/Ampere Rating - Max.  
 Long-time/Overload Delay = Max.  
 Short-time/Short-circuit Pickup = Min.  
 Short-time/Short-circuit Delay = Min.  
 Instantaneous = Max.

**NOTE:** For LE Series 1B, ME Series 3, 4, 5, 5A, 5B, NE Series 1, 2, 3, 3A, 3B, PE Series 4, 5, 6, 6A, 6B, and SE Series 2, 3, 3A, 3B trip units, the Min. Short-time/Short-circuit setting will be 0.1 I<sub>2t</sub> OUT.

5. Connect the circuit breaker to the test source with any convenient length of conductor.
6. For non-ground-fault circuit breakers, test all poles of the circuit breaker individually. For circuit breakers with integral ground-fault, test each pole of the circuit breaker as noted in the special test procedure on page 35.
7. Short-Time Pickup Test

After the circuit breaker is properly connected, inject the phase under test with a current value just below the minimum pickup value indicated by the trip curve. Test current duration must exceed expected delay time (determined from the trip curve). The circuit breaker should not trip.

Repeat the test using the maximum pickup value indicated by the trip curve. The circuit breaker should trip, indicating an acceptable pickup level. If the circuit breaker does not trip within the expected time, terminate the test to prevent thermal damage to the circuit breaker. If the precise pickup value is desired, repeat the test at current levels between the maximum and minimum. The lowest current value at which the circuit breaker trips is the pickup value.

#### 8. Short-Time Delay test

After the circuit breaker is properly connected, apply 150% of the nominal short-time pickup value. The circuit breaker should trip within the time limits defined by the trip curve. If the circuit breaker does not trip within the expected time limits, disengage the power supply to prevent thermal damage to the circuit breaker.

**NOTE:** All Micrologic electronic-trip circuit breakers are equipped with Long-Time/Overload Memory or thermal imaging. The overcurrent pulses used to test Short-time Pickup and Delay add to this memory. If the circuit breaker trips at a lower than expected current value after several overcurrent pulses, it may be tripping on the long-time function. The Long-time/Overload Memory can be reset using the appropriate memory reset module. If the memory reset module is not used, wait at least 15 minutes to allow the memory to clear and reset before proceeding with the tests.

The short-time trip test can also be done using the UTS-3 secondary injection test kit. These secondary injection test sets do not test the current transformers and connections.

#### Instantaneous Trip Test

The instantaneous trip function of a Micrologic electronic-trip circuit breaker determines the level of current at which the circuit breaker trips with no intentional delay. Performance of the instantaneous function of the circuit breaker can be tested using a high-current, low-voltage ac power supply.

1. If the Micrologic circuit breaker is equipped with the integral ground-fault protection function, see test procedures for circuit breaker with integral ground-fault, page 35, before continuing.
2. For non-ground-fault circuit breakers, test all poles of the circuit breaker individually. For circuit breakers with the integral ground-fault function, test each pole of the circuit breaker as noted in the special test procedure on page 35.
3. After the circuit breaker is properly connected and adjusted, apply current in approximately 10-cycle pulses. Start at 70% of the expected trip value, increase the current in each succeeding pulse until the circuit breaker trips.

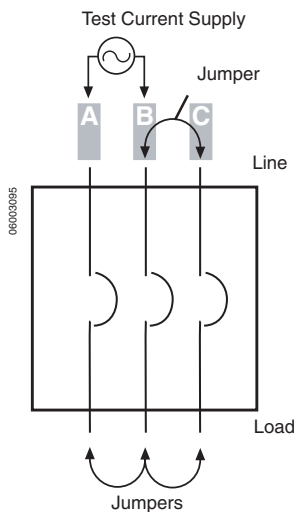
**NOTE:** All Micrologic electronic-trip circuit breakers are equipped with Long-time/Overload Memory or thermal imaging. The overcurrent pulses used to test Short-time Pickup and Delay add to this memory. If the circuit breaker trips at a lower than expected current value after several Overcurrent pulses, it may be tripping on the long-time function. The Long-time/Overload Memory can be reset by using the appropriate memory reset module. If the memory reset module is not used, wait at least 15 minutes to allow the memory to clear and reset before proceeding with the tests.

4. Compare the pickup value to the trip curve for the tested circuit breaker. The instantaneous trip test can also be done using the UTS-3 secondary injection test kit. These secondary injection test sets do not test the current transformers and connections.

#### Circuit Breakers with Integral Ground Fault Protection

Micrologic electronic-trip circuit breakers with the integral ground-fault protection function require special attention when testing overload and short-circuit functions. The single-pole primary injection tests for the inverse-time overcurrent, short-time and instantaneous functions will cause ground-fault trips due to the return current path not going through the circuit breaker. To overcome this difficulty, use the looping method for Micrologic circuit breakers with the integral ground-fault feature.

**Figure 17: Special Overload and Short-circuit Test Procedures**



**Procedure for Circuit Breakers Used with Powerlogic® Systems**

**Looping Method:**

Looping the current as shown in Figure 17, balances the amount of current entering and leaving the circuit breaker. This, in effect, eliminates ground-fault trips by keeping the internal ground-fault transformer balanced. Verification of successive poles can be made by varying the connections (loop AC, AB, BC).

**Exceptions:**

For SE fixed-type circuit breakers, connect terminals 16, 17, 18 and 19 together to defeat ground fault for test purposes. For SE drawout circuit breakers, use the adapter plug SEPITK2 to make the necessary connections.

LE, ME, NE, PE and SE circuit breakers connected to a Powerlogic® system are connected via a communications adapter (catalog number CIM3F). If the circuit breaker is tested by the primary injection method, the Powerlogic system can remain connected to the circuit breaker during testing without affecting the results.

**NOTE:** Testing a circuit breaker connected to a Powerlogic system causes the Powerlogic system to react as if the circuit breaker were experiencing the actual faults.

When performing secondary injection testing using the UTS3 test set, the Powerlogic system must be disconnected from the circuit breaker. This is done by disconnecting the 4-pin plug connection on the adapter. The test set will indicate testing failed if the Powerlogic system is left connected when testing. After testing, reconnect the 4-pin plug to the adapter. Follow the instructions for the version of the Powerlogic software that is installed on the system to verify that communication has been re-established with the circuit breaker.

**Procedure to Defeat Zone-Selective Interlocking**

Zone-selective interlocking is a method of communication between electronic-trip overcurrent protective devices. Zone-selective interlocking allows interlocked devices at different levels to work together as a system in which a short circuit or ground fault is isolated and cleared with minimum time delay. The purpose of defeating zone-selective interlocking is to verify the characteristics of the specific circuit breaker short-time and ground-fault trip delay functions. This is accomplished by disconnecting restraint wiring and installing jumpers as required. This self-restrains the circuit breaker being tested. Label any restraint wires before disconnecting.

Table 9 outlines self-restraint (jumper) instructions for each of the Micrologic circuit breakers. Use wire size 14–18 AWG (1–2.1 mm).

**Table 9: Self-Restraint Settings**

Circuit Breaker Type/Trip Unit Series	Function (ST or GF)	Connect Terminal (Restraint IN)	To Terminal (Restraint OUT)
LE 1B	Short-time	#5	#6
LE 1B	Ground-fault	#7	#8
ME 3	Both	Violet wire	Violet wire
ME 4, 5, 5A, 5B	Short-time	#5	#6
ME 4, 5, 5A, 5B	Ground-fault	#7	#8
NE 1	Both	#6	#7
NE 2, 3, 3A, 3B	Short-time	#5	#6
NE 2, 3, 3A, 3B	Ground-fault	#7	#8
PE 4	Both	#6	#7
PE 5, 6, 6A, 6B	Short-time	#5	#6
PE 5, 6, 6A, 6B	Ground-fault	#7	#8
SE 2, 3, 3A, 3B (Fixed and Drawout)	Both	#23	#24
SE 2, 3, 3A, 3B (Fixed and Drawout)	Ground-fault	#20	#21
SE Drawout (Fully Removed From cradle)	Both	Use SEPTIK2 (see page 41)	Use SEPTIK2 (see page 41)

**NOTE:** If self-restraint jumpers are installed to defeat zone-selective interlocking for testing purposes, remove jumpers when testing is complete. Any restraint wires disconnected for the test should be reconnected at this time.

**Ground-Fault Protection and Indication Only Tests for Radial Systems**

**⚠ DANGER**

**HAZARD OF ELECTRIC SHOCK, EXPLOSION, OR ARC FLASH**

- Apply appropriate personal protective equipment (PPE) and follow safe electrical work practices. See NFPA 70E.
- This equipment must be installed and serviced by qualified electrical personnel.
- Turn off all power supplying this equipment before working on or inside equipment.
- Always use a properly rated voltage sensing device to confirm power is off.
- Replace all devices, doors and covers before turning on power to this equipment.

**Failure to follow these instructions will result in death or serious injury.**

**Ground-Fault Trip Test**

The ground-fault function of a Micrologic electronic-trip circuit breaker provides ground-fault protection for equipment with adjustable pickup and delay values. The ground-fault delay feature determines how long the circuit breaker waits before initiating a trip signal during a ground fault. Performance of the ground-fault functions of the circuit breaker can be tested using a high-current, low-voltage ac power supply.

SE drawout circuit breakers with the integral ground-fault test feature require an adapter plug (Square D catalog number SEPITK2) when the circuit breaker is completely removed from the cradle. The adapter plug will make the necessary jumper connections on the secondary circuit. These jumpers are normally made when the circuit breaker is in the connected position. Follow the instructions provided with the adapter plug to ensure proper application.

**Test Procedure**

1. Completely de-energize and remove the circuit breaker from service.
2. Before testing, record pickup and delay setting for all function. Reset the trip unit to these same settings after the test procedure is completed.
3. If testing a circuit breaker that is equipped with zone-selective interlocking, follow the procedure to defeat zone-selective interlocking on page 36. If you are using a secondary injection test kit for these tests, carefully read and follow the test kit instructions about zone-selective interlocking.

**NOTE:** Failure to defeat zone-selective interlocking will result in trip time inaccuracy.

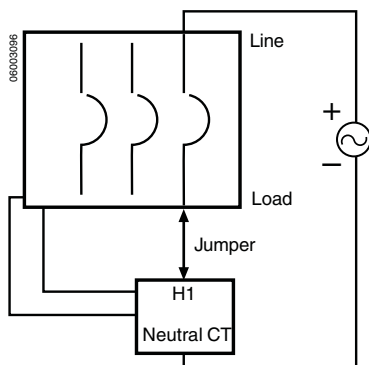
4. Use these settings for the test:
  - Long-Time Pickup/Ampere Rating = Max.
  - Long-Time/Overload Delay = Max
  - Short-Time/Short-Circuit Delay = Max. ( $I^2t$  IN or ON)
  - Instantaneous = Max.
  - Ground-Fault Pickup = Min.
  - Ground-Fault Delay = Min. ( $I^2t$  OUT of OFF)

**NOTE:** Do not use the INSTANT setting for ground-fault delay. On Series 2 SE circuit breakers, use ground-fault delay setting “2.”

5. Follow the hookup procedure appropriate to the test application.
  - For circuit breakers without a neutral current transformer, go to step 8.

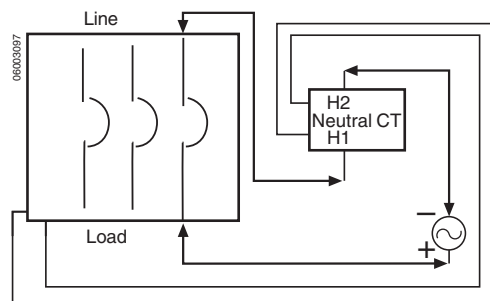
For circuit breakers with the integral ground-fault function in a three-phase, four-wire system, an externally-mounted neutral current transformer (CT) must be used. The neutral CT is connected to the circuit breaker by a shielded cable (#14 AWG [2.5 mm] wire is recommended).

**Figure 18: Test Hookup Diagram for Neutral CT Phasing Test**



See circuit breaker instructions bulletin for connections to circuit breaker and neutral CT.

**Figure 19: Test Hookup Diagram for Neutral CT Size Test**



See circuit breaker instructions bulletin for connections to circuit breaker and neutral CT.

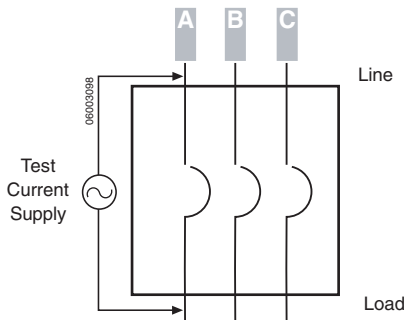
6. Verify correct phasing of the neutral CT (three-phase, four-wire systems) by performing a No Trip Test as follows:

- a. Connect the circuit breaker and neutral CT as shown in Figure 18. The jumper must go from the load connection on the circuit breaker to the H1 connection on the neutral CT (or the side of the neutral CT that has the red dot). Connect the secondary of the neutral CT according to the circuit breaker instruction manual or the neutral CT instructions.
- b. Apply current above the ground-fault pickup level and maintain longer than the ground-fault delay.
- c. The circuit breaker must not trip. No trip indicates that both the phase CT and neutral CT are phased properly.

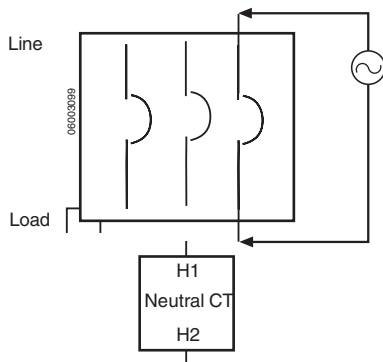
7. Verify the correct size of the neutral CT (three-phase, four-wire systems) by performing a Trip Test as follows:

- a. Connect the circuit breaker and neutral CT as shown in Figure 19. Connect the polarity (+) terminal of the high current injection unit to the load side of the circuit breaker. The jumper must go from the line connection on the circuit breaker to the H1 connection on the neutral CT (or the side of the neutral CT that has the red dot). Connect the non-polarity (-) terminal of the high current injection unit to H2 on the neutral CT (on the line side of the circuit breaker). Connect the secondary of the neutral CT according to the circuit breaker instruction manual or the neutral CT instructions.
- b. Apply current.
- c. The circuit breaker must trip at half the value of the ground-fault pickup. Tripping indicates that both the phase CT and neutral CT have the same turns ratio (same size).

**Figure 20: Test Hookup Diagram for Circuit Breaker Without Neutral CT**



**Figure 21: Test Hookup Diagram for Ground-fault Pickup and Delay Test**



8. Test ground fault pickup and delay by performing a trip test as follows:
  - a. Connect the circuit breaker as shown in Figure 4, (three-phase, three-wire systems) or Figure 5 (three-phase, four-wire systems).
 

**NOTE:** The recommended method of testing ground-fault pickup and delay is the “pulse” method. This method will be the most accurate, but requires that the test equipment have a calibrated image-retaining oscilloscope or high-speed sampling rate digital ammeter. An accurate timer is needed to monitor delay time.
  - b. After the circuit is properly connected and closed, apply current in short pulses of 10-cycle duration. Starting at 70% of the expected trip value, increase the current on each succeeding pulse until the circuit breaker trips.
 

**NOTE:** For Series 2 SE circuit breakers, current must be applied for a minimum of two seconds.
  - c. Reclose the circuit breaker and reduce the current level; pulse again to determine if the pickup level found was overshoot.
  - d. Repeat steps b and c to further isolate the pickup point.
  - e. To determine delay time, test each pole of the circuit breaker individually at 150% of the ground-fault pickup setting. Monitor the time from this pickup point until the circuit breaker trips to obtain the delay time.
  - f. Record pickup and delay values and compare the results to the trip curve.

The ground-fault test can also be done using the UTS-3 secondary injection test kit. These secondary injection test sets do not test the current transformers and connections.

**Tests for Ground-Fault Alarm Only: LE, ME, NE, PE and SE Circuit Breakers**

All LE, ME, NE, PE, and SE circuit breakers with the ground-fault alarm feature are supplied with an integral ground-fault test feature. A 120 V power source is required to operate the integral test feature. The test circuitry simulates a ground-fault when the test button on the front of the circuit breaker is depressed. The ammeter in the circuit breaker will indicate a current value while the push-to-test button is engaged.

**NOTE:** The ground-fault alarm only circuit breaker will not trip or indicate a trip when the push-to-test button on the front of the circuit breaker is pressed.

When connected to a Powerlogic system via a communications adapter (Square D catalog number CIM3F), the Powerlogic system will indicate a ground-fault current value while the push-to-test button is engaged. The Powerlogic system indicates an alarm condition if the push-to-test button is pressed for two seconds. The circuit breaker takes a maximum of one second to communicate an alarm condition. The Powerlogic system updates the condition only as frequently as the scan time is set on the Powerlogic system.

Instructions for the ground-fault trip test, page 37, can be applied to ground-fault alarm only circuit breakers with the following exceptions:

- A. Ground-fault alarm only circuit breakers have no trip or delay features. Therefore the Universal Test Set (catalog number UTS3) will display no time values.
- B. Ground-fault zone-selective interlocking is not available on ground-fault alarm only circuit breakers.
- C. If the pulse test method is used, the pulse signal must be long enough for the Powerlogic system to recognize the alarm condition.

When secondary injection testing using the UTS3 test set, the circuit breaker must be disconnected from the Powerlogic system. To disconnect the circuit breaker from the Powerlogic system, detach the 4-pin plug connection on the adapter. The test set will indicate the circuit breaker failed if the Powerlogic system remains connected when testing. After testing, reconnect the 4-pin plug to the adapter. Follow the instructions for the version of Powerlogic software that is installed on the system to verify that the communication has been re-established with the circuit breaker.

**NOTE:** Testing a circuit breaker connected to a Powerlogic system causes the Powerlogic system to react as if the circuit breaker were experiencing the actual faults.

**Contact Resistance Test**

Circuit breaker pole resistance tests are not reliable indicators of circuit breaker performance because the resistance values are influenced by a number of transient factors including contact surface oxidation, foreign material between the contacts, and testing methods. NEMA AB 4 paragraph 6.4.1 states: “The millivolt drop of a circuit breaker pole can vary significantly due to inherent variability in the extreme low resistance of the electrical contacts and connectors. Such variations do not necessarily predict unacceptable performance and shall not be used as the sole criteria for determination of acceptability.”

High pole resistance may also be caused by eroded contacts, low contact force, and loose termination. The only one of these factors likely to be present on a new circuit breaker is a loose termination, since the contacts are new and there has been no opportunity for contact pressure to have drifted from the factory setting. A loose termination can be corrected in the field.

If a contact resistance test is done, it is important to do it after the contacts have been conditioned by instantaneous primary injection testing to ensure the contacts are clear of resistive films, oxidation and foreign material. If the circuit breaker has been in service with no performance issues, (overheating or nuisance tripping), contact resistance measurements are redundant and of little value.

Square D recommends that a DLRO (Digital Low Resistance Ohmmeter) be used, using a 10 A dc test current for circuit breaker ratings below 100 A, and using 100 A dc for circuit breakers rated 100 A and above. the median (middle) value of three readings (toggling the circuit breaker between each reading) should be recorded for each pole tested. If this value is equal to or less than the value listed in Table 10, the pole is acceptable. If the reading is higher, the cause should be investigated and corrected if possible. Contact your local field office for more information.

**Table 10: Maximum Micro-Ohms Per Pole**

Circuit Breaker		Micro-Ohms (u ohm)	Circuit Breaker		Micro-Ohms (u ohm)
Type	Rating		Type	Rating	
LE, LX	300	477	NE, NX	600	112
	350	416		700	106
	400	250		800	85
	450	310		900	81
	500	286		1000	66
	600	169		1200	56
ME, MX	125	1,600	PE, PX	600	106
	150	1,500		700	100
	175	914		800	81
	200	725		1000	63
	225	593		1200	53
	250	488		1400	49
	300	344		1600	41
	350	261		1800	35
	400	200		2000	31
	450	146		2500	33
	500	114		600	106
	600	94		700	100
	700	78		800	81
	800	68		1000	63
		1200	53		

**Remove Test Connections**

Upon completing testing:

- Remove test connections from circuit breaker.
- Inspect connections for damage caused by testing.
- Reset the long-time pickup switch to original settings, as recorded in above.
- If an auxiliary power supply is being used for the Micrologic trip unit, reconnect the auxiliary power supply.

**Additional Information**

For more information concerning Square D Circuit breakers, refer to the appropriate instruction manual. These manuals contain installation instructions, mounting information, safety features, wiring diagrams, and troubleshooting charts for specific circuit breakers.



## Section 6—Available Test Equipment

### Test Equipment for L-, M-, N-, P- and S-frame Circuit Breakers with Micrologic® Trip Units

#### Local Current Meter Kit

Local current meters (catalog numbers ALAM and ALAMP) offer real-time current metering capabilities and, if the circuit breaker trips, the meters indicate the type of trip:

- Overload
- Short circuit
- Ground fault

The current meter provides a simple means of troubleshooting the cause of a trip, and comes installed in all full-function (LE, ME, NE, PE and SE) circuit breakers. The current meter provides on-line assistance with:

- Identifying overloaded or unbalanced phases
- Defining the level of ground-fault current flowing on the circuit

The ALAM kit is for use with all series of L-, M-, N- and S-frame Micrologic® electronic-trip circuit breakers. The ALAMP kit is for use on all series of P-frame Micrologic Electronic-trip circuit breakers, and is different only because of the orientation of the trip unit cavity.

#### Memory-Reset Module

Memory reset modules (catalog numbers MTMB, MTM2 and MTM3) are used to reset the long-time memory on Micrologic electronic-trip circuit breakers. This allows faster primary injection testing of the circuit breaker.

- The MTMB module is for use with Micrologic Series B electronic-trip systems.
- The MTM3 module is for use with Micrologic Series 3 trip systems
- The MTM2 module is for use with Series 2 SE electronic-trip circuit breakers.

#### Primary Injection Test Kit

Adapter plug kits (catalog numbers SEPITK1 and SEPITK2) use jumpers in certain terminals to properly connect the secondary sensing wiring in SE drawout construction circuit breakers. The SEPITK1 test kit is for use with Series 1 SED circuit breakers; the SEPITK2 test kit is for use with Series 2 and above SED circuit breakers.

#### Universal Test Set

The optional Universal Test Set (catalog number UST3) is a microprocessor-based system used to test all LE, LX, LXI, ME, MX, NE, NX, PE, PX and SE Micrologic circuit breakers. This test set will thoroughly test each function of the trip unit. The Universal Test Set is a secondary injection tester and does not take current transformer tolerances into consideration.

## Available Test Equipment for Masterpact® and PowerPact® Circuit Breakers with Micrologic® Electronic-Trip Units

### Full-Function Test Kit

The UTS3 test set includes:

- The test module for standard and full-function Micrologic Series B trip systems
- A self-test module
- A power cord
- A ribbon cable
- An instruction manual

The Full-Function Test Kit is a microprocessor-based system used to test Compact® NSJ, Masterpact® and PowerPact® circuit breakers with Micrologic electronic-trip units. The Full-Function Test Kit is a secondary injection tester and does not test the current transformers and connections.

The Full-Function Test Kit is designed to be used as a stand-alone test unit or in conjunction with a personal computer. The Full-Function Test Kit alone performs the following tests:

- Protection function verification (LSIG)
- Compliance with trip curve
- Electrical and mechanical tests of trip system
- Zone-selective interlocking tests
- Inhibition of ground-fault protection for use during primary injection testing
- Inhibition of thermal imaging for use during primary injection testing
- Supply control power to the trip unit to energize displays

### Hand-Held Test Kit

The Hand-Held Test Kit is a small battery-powered unit. It is designed to provide convenient secondary injection tests on Compact NSJ, Masterpact and PowerPact circuit breakers with Micrologic electronic-trip units. The Hand-Held Test Kit is powered by five 9 V batteries and can be used to do the following:

- Verify trip unit operation by tripping the circuit breaker with a secondary injection signal
- Supply control power to the trip unit to energize displays
- Inhibit thermal imaging for primary injection testing
- Inhibit ground-fault for primary injection testing
- Zone-selective interlocking tests<sup>1</sup>

<sup>1</sup> Only provides power to trip unit to indicate a ZSI signal was received. Will not initiate the command to send a ZSI restraint signal.

**Field Testing and Maintenance Guide  
Instruction Bulletin**

**Schneider Electric USA**

3600 Sixth St. SW  
Cedar Rapids, IA 52404 USA  
1-888-SquareD  
(1-888-778-2733)  
[www.us.SquareD.com](http://www.us.SquareD.com)

Electrical equipment should be installed, operated, serviced, and maintained only by qualified personnel. No responsibility is assumed by Schneider Electric for any consequences arising out of the use of this material.

48049-900-02 © 2008 Schneider Electric All Rights Reserved  
ECN 701D Replace 48049-900-01 646D 04/2008



# Guía de servicio de mantenimiento y pruebas en campo

Para los interruptores automáticos  
en caja moldeada termomagnéticos  
y de disparo electrónico Micrologic®  
Clase 0600

Boletín de instrucciones

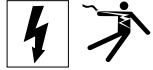
48049-900-02

Conservar para uso futuro.



## Categorías de peligros y símbolos especiales

Asegúrese de leer detenidamente estas instrucciones y realice una inspección visual del equipo para familiarizarse con él antes de instalarlo, hacerlo funcionar o prestarle servicio de mantenimiento. Los siguientes mensajes especiales pueden aparecer en este boletín o en el equipo para advertirle sobre peligros potenciales o llamar su atención sobre cierta información que clarifica o simplifica un procedimiento.



La adición de cualquiera de los dos símbolos a una etiqueta de seguridad de "Peligro" o "Advertencia" indica que existe un peligro eléctrico que causará lesiones si no se siguen las instrucciones.



Este es el símbolo de alerta de seguridad. Se usa para avisar sobre peligros potenciales de lesiones. Respete todos los mensajes de seguridad con este símbolo para evitar posibles lesiones o la muerte.

### **DANGER**

**PELIGRO** indica una situación de peligro inminente que, si no se evita, **causará** la muerte o lesiones serias.

### **WARNING**

**ADVERTENCIA** indica una situación potencialmente peligrosa que, si no se evita, **puede causar** la muerte o lesiones serias.

### **CAUTION**

**PRECAUCIÓN** indica una situación potencialmente peligrosa que, si no se evita, **puede causar** lesiones menores o moderadas.

### **CAUTION**

**PRECAUCIÓN**, cuando se usa sin el símbolo de alerta de seguridad, indica una situación potencialmente peligrosa que, si no se evita, **puede causar** daños a la propiedad.

**NOTA:** Proporciona información adicional para clarificar o simplificar un procedimiento.

## Observe que

Solamente el personal especializado deberá instalar, hacer funcionar y prestar servicios de mantenimiento al equipo eléctrico. Schneider Electric no asume responsabilidad alguna por las consecuencias emergentes de la utilización de este material.

# Contenido

<b>Contenido</b> .....	47
<b>Sección 1—Introducción</b> .....	49
Inspección y prueba .....	49
Errores de pruebas de los interruptores automáticos termomagnéticos .....	50
Precauciones de seguridad .....	50
<b>Sección 2—Inspección visual y servicio de mantenimiento preventivo</b> .....	51
Caja moldeada de interruptores automáticos .....	51
Procedimientos .....	51
Inspecciones visuales durante el funcionamiento .....	51
Inspecciones de servicio de mantenimiento .....	52
Inspección termográfica .....	54
Información adicional .....	54
<b>Sección 3—Pruebas de funcionamiento de los interruptores automáticos termomagnéticos</b> .....	55
Pruebas generales de funcionamiento de los interruptores .....	55
Pruebas en campo de los interruptores automáticos especiales de 500 V c.d. ....	55
Pruebas en campo de los interruptores automáticos termomagnéticos de c.a. ....	56
Pruebas de funcionamiento .....	57
Prueba de resistencia del aislamiento .....	57
Pruebas de funcionamiento de los interruptores automáticos termomagnéticos .....	58
Desconexión de la prueba .....	61
Información adicional .....	61
<b>Sección 4—Pruebas de funcionamiento de los interruptores de potencia Masterpact® e interruptores automáticos PowerPact®</b> .....	62
Inspección de las pinzas de conexión (interruptores removibles Masterpact solamente) .....	62
Sustitución de las pinzas de conexión .....	63
Ajuste de los resortes de las pinzas de conexión .....	67
Lubricación de las pinzas de conexión .....	67
Lubricación de las lengüetas de la cuna .....	68
Instalación del interruptor extraído en la posición de desconectado .....	68
Pruebas de funcionamiento .....	69
Prueba de rigidez dieléctrica para los interruptores de potencia Masterpact con unidades de disparo Micrologic® P o H .....	70
Verificación de las unidades de disparo Micrologic .....	71
Procedimiento para anular el enclavamiento selectivo de zona .....	71
Pruebas de inyección secundaria .....	72
Prueba de inyección primaria .....	72
Interruptores con protección contra fallas a tierra integral .....	74
Pruebas de indicación y protección contra fallas a tierra solamente para los sistemas radiales .....	74
Desconexión de la prueba .....	77
Información adicional .....	77
<b>Sección 5—Pruebas de funcionamiento de los interruptores con disparo electrónico (excepto los Masterpact® e interruptores automáticos PowerPact®)</b> .....	78
Pruebas generales de funcionamiento de los interruptores .....	78
Pruebas de los interruptores con disparo electrónico Micrologic® .....	79

ESPAÑOL

Interruptores con protección contra fallas a tierra integral .....	82
Procedimiento para anular el enclavamiento selectivo de zona .....	83
Pruebas de indicación y protección contra fallas a tierra solamente para los sistemas radiales .....	84
Desconexión de la prueba .....	87
Información adicional .....	87
<b>Sección 6—Equipo de pruebas disponible .....</b>	<b>88</b>
Equipo de pruebas para los interruptores marcos L, M, N, P y S con unidades de disparo Micrologic® .....	88
Equipo de medición de corriente .....	88
Módulo de reinicialización de memoria .....	88
Equipo de pruebas de inyección primaria .....	88
Equipo de pruebas universal .....	88
Equipo de pruebas disponible para los interruptores Masterpact® y PowerPact® con unidades de disparo Micrologic® .....	89
Equipo de pruebas de amplias funciones .....	89
Equipo de pruebas portátil .....	89



## Sección 1—Introducción

### Inspección y prueba

La vida útil de los interruptores automáticos en caja moldeada depende de la aplicación apropiada, instalación correcta, condiciones ambientales y servicio de mantenimiento preventivo. Dos niveles de investigación pueden garantizar el funcionamiento correcto de un interruptor automático:

1. Inspección y servicio de mantenimiento preventivo
2. Pruebas de funcionamiento y verificación.

Para garantizar un funcionamiento adecuado continuo, inspeccione periódicamente los interruptores siguiendo los procedimientos delineados en este documento. Estos procedimientos le ayudarán a diagnosticar problemas de funcionamiento y se han proporcionado para ayudarle a identificar problemas potenciales después de haber realizado una inspección. Las instrucciones de pruebas en campo, inspección y servicio preventivo delineadas en este documento son apropiadas para su uso con interruptores automáticos de disparo electrónico Micrologic<sup>®</sup>, interruptores automáticos termomagnéticos e interruptores automáticos magnéticos solamente.

**Tabla 1: Pruebas e inspección del interruptor automático**

Interruptor automático	Inspección	Pruebas de funcionamiento
Interruptores automáticos termomagnéticos	Sección 2	Sección 3
Interruptores automáticos magnéticos solamente	Sección 2	Sección 3
Interruptores de potencia Masterpact <sup>®</sup> e interruptores automáticos PowerPact <sup>®</sup>	Sección 2	Sección 4
Interruptores de disparo electrónico (excepto los interruptores Masterpact <sup>®</sup> y PowerPact <sup>®</sup> )	Sección 2	Sección 5

La norma generalmente usada como base para los requisitos de las pruebas en campo es la norma NEMA AB4 de la Asociación nacional de fabricantes de equipo eléctrico de los EUA, "Procedimiento de inspección y mantenimiento preventivo de interruptores automáticos en caja moldeada que se utilizan en aplicaciones comerciales e industriales". Si necesita información o asistencia adicional, póngase en contacto con la oficina local de ventas. Para obtener servicio en sus instalaciones, póngase en contacto con el Centro de información al cliente que está a su disposición las 24 horas del día, llamando al 1-888-778-2733 (en EUA) o al 55-5804-5000 (en México).

Los procedimientos de inspección y mantenimiento preventivo delineados en este documento le serán útiles para establecer un programa de inspección rutinario. Realice pruebas de funcionamiento sólo si durante una inspección o bien, el funcionamiento diario indica que el interruptor automático no está proporcionando protección adecuada necesaria para la aplicación.

Si durante las pruebas de funcionamiento o inspección los resultados son cuestionables, póngase en contacto con la oficina local de ventas. Si es necesario devolver un interruptor automático a la fábrica, utilice embalaje apropiado para evitar que se dañe durante el transporte.

Este documento no tiene como objetivo, ni tampoco es adecuado para, verificar el funcionamiento apropiado de los componentes eléctricos de un interruptor automático en caja moldeada que ha sido desarmado,

modificado, restaurado o manipulado de manera inadecuada o no autorizada por la compañía.

## Errores de pruebas de los interruptores automáticos termomagnéticos

En los últimos años se ha reportado un creciente número de errores en las pruebas de campo. Los obstáculos principales que afectan las pruebas en campo de estos interruptores son las variables presentes en instalaciones modernas, tales como variaciones en gabinetes, barras, alambrado y proximidad a otro equipo.

Otro obstáculo se debe a las corrientes de prueba de c.a. vs. c.d. en las aplicaciones de c.d. La mayoría de los fabricantes, sin embargo, han probado y certificado los interruptores automáticos de c.a. para su uso en aplicaciones de c.d. en baja tensión (250 V c.d. o de menor valor). Cuando se usan interruptores automáticos termomagnéticos, con un marco de 1 000 A o de menor intensidad, en sistemas de baja tensión menores que 250 V c.d., las características térmicas de los interruptores permanecen estables. Por otro lado, las características magnéticas (instantáneas) varían y requieren un multiplicador para determinar la corriente de c.d. necesaria para disparar el interruptor automático. Los multiplicadores adecuados para el equipo marca Square D figuran en la sección "Cómo determinar las capacidades de conducción de la corriente" en el boletín de datos de aplicaciones especiales.

Para los interruptores automáticos de más de 1 000 A e interruptores especiales de 500 V c.d., la correlación entre las corrientes de c.a. y c.d. es impredecible. Para obtener resultados precisos, estos interruptores deberán ser probados utilizando corriente de c.d. Consulte "Pruebas en campo de los interruptores automáticos especiales de 500 V c.d." en la página 55 para obtener información sobre las pruebas.

## Precauciones de seguridad

1. Solamente el personal eléctrico especializado con capacitación y experiencia en circuitos de baja tensión, deberá realizar el trabajo descrito en estas instrucciones. Estos técnicos deberán entender los riesgos involucrados al trabajar con y cerca de equipo de baja tensión. Este trabajo deberá realizarse sólo después de haber leído todas las instrucciones.
2. Algunas inspecciones o procedimientos requieren que ciertas partes del sistema eléctrico permanezcan energizadas en tensiones peligrosas. Observe todos los mensajes específicos de seguridad (peligro, advertencia, precaución) que figuran en este manual.
3. Use equipo protector, reconozca peligros potenciales y tome medidas de seguridad adecuadas al realizar los procedimientos descritos en este manual.

## Sección 2—Inspección visual y servicio de mantenimiento preventivo

### Caja moldeada de interruptores automáticos

#### Procedimientos

##### Inspecciones visuales durante el funcionamiento

### **⚠ PELIGRO**

#### **PELIGRO DE DESCARGA ELÉCTRICA, EXPLOSIÓN O DESTELLO POR ARQUEO**

- Utilice equipo de protección personal (EPP) apropiado y siga las prácticas de seguridad en trabajos eléctricos establecidas por su Compañía, consulte la norma 70E de NFPA.
- Solamente el personal eléctrico especializado deberá instalar y prestar servicio de mantenimiento a este equipo.
- Tome medidas de seguridad apropiadas para asegurarse de que no haya contacto accidental con componentes energizados durante este procedimiento.

**El incumplimiento de estas instrucciones podrá causar la muerte o lesiones serias.**

Los interruptores automáticos en caja moldeada requieren muy poco mantenimiento. La Compañía recomienda realizar procedimientos de inspección en intervalos regulares. La frecuencia de inspecciones depende de las condiciones ambientales y de funcionamiento relacionadas con la aplicación.

Las inspecciones visuales mientras está funcionando el equipo pueden ser realizadas cada vez que el personal eléctrico especializado o de mantenimiento se encuentre en la sala del equipo eléctrico.

Las inspecciones de mantenimiento pueden realizarse en intervalos de mantenimiento regulares. Se recomienda realizar pruebas anuales al mecanismo de los interruptores automáticos. Tal vez sea necesario realizar inspecciones y servicios de mantenimiento más frecuentes si el equipo es expuesto a condiciones ambientales o de funcionamiento adversas.

La caja moldeada de un interruptor automático (en caja moldeada) marca Square D no deberá abrirse. Si se abre la caja o se desarma el interruptor automático, la garantía del fabricante será anulada y se pone en peligro la integridad del dispositivo. Los interruptores automáticos que han sido abiertos o que no funcionan deberán ser destruidos o devueltos a la Compañía para que no vuelvan a ponerse en servicio. El desmontaje de las cubiertas auxiliares o de accesorios no constituye la apertura de la caja moldeada.

Mientras el interruptor está energizado:

1. Verifique la aplicación y el valor nominal del interruptor automático.  
Asegúrese de que el interruptor automático sea adecuado para la aplicación: valores nominales de la corriente máxima de interrupción, tensión e intensidad de la corriente, especificados en la etiqueta y las recomendaciones de la Compañía. Compare la información en la placa frontal del interruptor con los dibujos de la instalación. Verifique los ajustes en los interruptores de disparo electrónico Micrologic® con los resultados del estudio de coordinación. Después de haber completado los procedimientos de servicio de mantenimiento e inspección, asegúrese de que los ajustes de las funciones de la unidad de disparo hayan sido definidos según los resultados del estudio de coordinación.
2. Revise el equipo mientras está energizado para determinar si hay sobrecalentamiento.

Mientras el interruptor automático está funcionando normalmente, bajo carga y a una temperatura de funcionamiento adecuada, revise el frente aislado, expuesto y accesible del interruptor así como las superficies del frente muerto adyacente del gabinete para determinar si hay sobrecalentamiento. Para esto, utilice una sonda de temperatura de rayos infrarrojos para verificar la temperatura, Si es mayor que 60°C, la causa deberá ser investigada.

Si el interruptor automático recién ha sido energizado, déjelo funcionar por lo menos tres horas para alcanzar la temperatura de funcionamiento. Compare la temperatura en la superficie de cada interruptor automático con la temperatura en la superficie de otros interruptores instalados. La temperatura en la superficie de los interruptores varía según la carga, posición en el tablero de alumbrado y distribución y temperatura ambiente. Si la temperatura en la superficie

## Inspecciones de servicio de mantenimiento

### **⚠ PELIGRO**

#### **PELIGRO DE DESCARGA ELÉCTRICA, EXPLOSIÓN O DESTELLO POR ARQUEO**

- Utilice equipo de protección personal (EPP) apropiado y siga las prácticas de seguridad en trabajos eléctricos establecidas por su Compañía, consulte la norma 70E de NFPA.
- Solamente el personal eléctrico especializado deberá instalar y prestar servicio de mantenimiento a este equipo.
- Desconecte todas las fuentes de alimentación antes de realizar inspecciones de servicio de mantenimiento. Suponga que todos los circuitos están “vivos” hasta que hayan sido completamente desenergizados, probados, puestos a tierra y etiquetados. Tome en consideración todas las fuentes de alimentación, incluyendo la posibilidad de retroalimentación y alimentación de control.
- Siempre utilice un dispositivo detector de tensión nominal adecuado para confirmar la desenergización del equipo.
- Vuelva a colocar todos los dispositivos, las puertas y las cubiertas antes de volver a energizar el equipo.

**El incumplimiento de estas instrucciones podrá causar la muerte o lesiones serias.**

de un interruptor automático es más alta que la de los interruptores adyacentes, la causa deberá ser investigada.

Es posible utilizar métodos de inspección termográfica para evaluar el sobrecalentamiento con el equipo energizado (consulte Inspección termográfica en la página 54).

3. Revise la caja moldeada para ver si hay grietas.

Cualquier interruptor automático en caja moldeada con grietas deberá sustituirse ya que su habilidad para soportar esfuerzos de interrupción de cortocircuito es afectada (reducida).

4. Revise el gabinete.

El gabinete deberá estar limpio y seco. Todas las cubiertas y piezas de disparo deberán estar en su lugar.

Mientras el interruptor está desenergizado:

1. Revise el equipo mientras está desenergizado para determinar si hay sobrecalentamiento.

Realice una inspección visual a los componentes eléctricos para ver si hay decoloración. Esto puede ser una indicación de sobrecalentamiento. Si no hay evidencia de sobrecalentamiento o conexiones sueltas, no altere ni vuelva a apretar las conexiones.

Conexiones de cobre:

Si hay evidencia de sobrecalentamiento en las terminales, conectores, conductores o aislamiento de los conductores, limpie y arregle las barras de distribución y conexiones afectadas según los requisitos de la norma NEMA AB4.

Conexiones de aluminio:

Los conectores de aluminio que se han sobrecalentado deberán ser sustituidos, así como sus partes dañadas. Si el conductor no es lo suficientemente largo para conectarlo correctamente a las terminales del interruptor automático después de haber quitado la parte dañada, conecte un empalme apropiado empleando una nueva sección de un conductor similar.

Conexiones de los tableros I-Line®

Si las conexiones de las mordazas de los tableros I-Line están picadas, decoloradas o deformadas, el interruptor automático deberá cambiarse. Las mordazas de los tableros I-Line son calibradas y probadas durante el proceso de fabricación y no pueden ser sustituidas en campo. No doble ni ajuste las mordazas.

Si retira el compuesto para juntas eléctricas de las conexiones del tablero I-Line, deberá volver a aplicarlo antes de instalar nuevamente los interruptores. Este compuesto es necesario para garantizar la integridad de las conexiones. Las conexiones de los tableros I-Line requieren el compuesto para juntas PJC-7201 marca Square D.

## PRECAUCIÓN

### PELIGRO DE DAÑO AL EQUIPO

Cada vez que los interruptores removibles es desmontado de su compartimiento será necesario volver a lubricar sus conexiones.

**El incumplimiento de esta instrucción puede causar daño al equipo.**

#### Conexiones removibles:

Si las conexiones de los interruptores removibles Masterpact hacen falta, están decoloradas o deformadas, éstas deberán sustituirse, consulte Inspección de las pinzas de conexión (interruptores removibles Masterpact solamente) en la página 62. Si las conexiones de otros interruptores removibles están decoloradas o deformadas, el interruptor deberá sustituirse.

Cada vez que los interruptores removibles es desmontado de su compartimiento será necesario volver a lubricar sus conexiones. Este compuesto es necesario para garantizar la integridad de las conexiones.

Las conexiones de los interruptores removibles SE requieren el compuesto para juntas PJC 8311 marca Square D.

Las conexiones para los interruptores removibles Masterpact y PowerPact requieren el kit de grasa S48899 para lubricar las pinzas de conexión y ambos lados de las lengüetas. Consulte página 67.

Después de limpiar y/o sustituir las piezas dañadas, apriete todas las conexiones en los valores especificados por Square D. Consulte el boletín de instrucciones del interruptor para obtener información adicional sobre los valores de par de apriete. Los boletines de instrucciones vienen con los interruptores y también se encuentran disponibles de la biblioteca técnica en el sitio web de Square D.

#### 2. Pruebe el mecanismo de los interruptores:

Articule la palanca del interruptor varias veces en la posición de abierto (O) y cerrado (I) para asegurarse de que no haya ninguna obstrucción mecánica. Dispare el interruptor presionando el botón de disparo. Restablezca y vuelva a energizar el interruptor. Vuelva a repetir este procedimiento para asegurar su funcionamiento correcto. Si el interruptor no se dispara, o si no se restablece después de dispararlo, éste deberá sustituirse.

#### 3. Limpie el interruptor.

Remueva la acumulación de polvo, suciedad, grasa o humedad de las superficies del interruptor con un trapo que no deje pelusas o una aspiradora. No use aire comprimido. Proceda con cuidado al usar solventes o limpiadores basados en detergente: estos pueden deteriorar la placa frontal, etiquetas y material de aislamiento. Limpie las superficies de contacto de las terminales de conexión y de las terminales del interruptor o barras de distribución con un limpiador no abrasivo. Los limpiadores abrasivos pueden remover el revestimiento lo cual puede deteriorar las juntas.

Si se remueve el compuesto para juntas eléctricas de las conexiones de los interruptores automáticos removibles SE o I-Line, éste deberá volverse a aplicar (no. de pieza PJC-7201 o PJC-8311 marca Square D) antes de instalar nuevamente los interruptores. Este compuesto es necesario para garantizar la integridad de las conexiones.

## Inspección termográfica

### **⚠ PELIGRO**

#### **PELIGRO DE DESCARGA ELÉCTRICA, EXPLOSIÓN O DESTELLO POR ARQUEO**

Solamente el personal eléctrico especializado con capacitación y experiencia en circuitos de baja tensión, deberá realizar las inspecciones termográficas. Estos técnicos deberán entender los riesgos involucrados al trabajar con o cerca de equipo de baja tensión. Este trabajo deberá realizarse sólo después de haber leído todas las instrucciones.

**El incumplimiento de esta instrucción podrá causar la muerte o lesiones serias.**

Las técnicas de inspección termográfica infrarroja pueden ser útiles para evaluar la condición de funcionamiento de los interruptores y sus terminaciones. La comparación con las imágenes termográficas infrarrojas almacenadas puede ser útil para realizar mantenimiento preventivo a los interruptores y otro equipo. La cantidad real de calor emitido es una función de ambos la corriente de carga y las condiciones ambientales. La interpretación de las mediciones de rayos infrarrojos requiere experiencia y capacitación en este tipo de inspección.

Si el interruptor recién ha sido energizado, déjelo funcionar por lo menos tres horas para alcanzar la temperatura de funcionamiento. Compare las imágenes termográficas de cada interruptor con las imágenes almacenadas previamente del mismo interruptor.

### Información adicional

Si necesita más información sobre los interruptores automáticos marca Square D, consulte el manual de instrucciones correspondiente. Estos manuales contienen las instrucciones de instalación, información de montaje, funciones de seguridad, diagramas de alambrado y cuadros de diagnóstico de problemas para interruptores automáticos específicos.

## Sección 3—Pruebas de funcionamiento de los interruptores automáticos termomagnéticos

### Pruebas generales de funcionamiento de los interruptores

#### **⚠ PELIGRO**

##### **PELIGRO DE DESCARGA ELÉCTRICA, EXPLOSIÓN O DESTELLO POR ARQUEO.**

- Utilice equipo de protección personal (EPP) apropiado y siga las prácticas de seguridad en trabajos eléctricos establecidas por su Compañía, consulte la norma 70E de NFPA.
- Solamente el personal eléctrico especializado deberá instalar y prestar servicio de mantenimiento a este equipo.
- Desenergice el equipo antes de realizar cualquier trabajo dentro o fuera de él.
- Siempre utilice un dispositivo detector de tensión nominal adecuado para confirmar la desenergización del equipo.
- Vuelva a colocar todos los dispositivos, las puertas y las cubiertas antes de volver a energizar el equipo.
- No toque las terminales del interruptor ni los conductores de prueba mientras se está probando el interruptor.

**El incumplimiento de estas instrucciones podrá causar la muerte o lesiones serias.**

### Pruebas en campo de los interruptores automáticos especiales de 500 V c.d.

Con estas pruebas se verifica el funcionamiento de los interruptores automáticos termomagnéticos en caja moldeada.

Realice las pruebas de funcionamiento en el orden que figuran para maximizar la precisión de los resultados.

**NOTA:** Nunca realice la prueba de resistencia de los contactos antes de realizar la prueba de inyección primaria instantánea. La prueba de inyección primaria asegurará que los contactos estén libres de películas resistivas, oxidación y material extraño.

Las siguientes pruebas tienen como objetivo verificar que un interruptor automático esté funcionando correctamente. Las curvas de disparo características son establecidas bajo condiciones de prueba precisas controladas en la fábrica. Si los resultados de la prueba en campo caen fuera de la gama de tolerancia de la curva de disparo característica; con cuidado evalúe las condiciones de la prueba y los métodos utilizados para obtener precisión.

Si durante las pruebas de funcionamiento e inspección los resultados o condiciones son cuestionables, póngase en contacto con la oficina local de ventas. Los interruptores automáticos con accesorios o modificaciones de fábrica pueden requerir atención especial. Si es necesario devolver un interruptor automático a la fábrica, utilice embalaje apropiado para evitar que se dañe durante el transporte.

Los interruptores automáticos de 500 V c.d. marca Square D, aprobados por UL, han sido diseñados, fabricados y calibrados para usarse en fuentes de alimentación ininterrumpida (UPS, por sus siglas en inglés) no conectadas a tierra. La tensión (con carga) nominal máxima es de 500 V c.d. y la tensión (sin carga) flotante máxima es de 600 V c.d.

Estos interruptores automáticos han sido aprobados por UL cuando se usan con los tres polos conectados en serie como se muestra en la etiqueta del interruptor. La conexión en serie es proporcionada por el cliente y deberá estar instalada fuera del interruptor.

Los interruptores automáticos de 500 V c.d. marca Square D, aprobados por UL, son interruptores especiales para aplicaciones de c.d. solamente y deberán probarse usando corriente de c.d.

- Seleccione la curva de disparo de tiempo-corriente correcta. Las curvas de disparo muestran ambas gamas de disparo termomagnético y magnético de los interruptores automáticos.
- Utilice una fuente de alimentación de c.d. para probar los interruptores de la siguiente manera:

Interruptor automático	Constante de tiempo <sup>1</sup>
≤ 400 A c.d.	≤ 20 ms
450–2 500 A c.d.	≤ 25 ms

constante ondulación de c.d. ≤ 1% rcm.

<sup>1</sup> La constante de tiempo ha sido definida por la norma UL 489 como “La constante de tiempo del circuito es el tiempo medido en el oscilograma donde la corriente es 63,2 por ciento de la corriente eventual.”

- Asegúrese de que las temperaturas ambiente y del interruptor sean de 25° C ± 3 grados.
- Desmonte el interruptor automático del gabinete. Si no es práctico desmontar el interruptor, pruébelo en el equipo original. Si los resultados de la prueba caen fuera de la gama de tolerancia de la curva de disparo; desmonte el interruptor del gabinete y vuelva a probarlo.
- Utilice cable de tamaño correcto (según las tablas del NEC, NOM-001-SEDE) con un tramo mínimo de cable de 1,22 m (4 pies) por conexión.
- Conecte la fuente de alimentación de c.d. al interruptor automático con todos los polos conectados en serie como se muestra en la etiqueta del interruptor.
- Asegúrese de que todas las conexiones al interruptor hayan sido apretadas correctamente.
- Aplique corriente de prueba de c.d. para disparar el interruptor automático. El mecanismo de disparo en el interruptor reacciona a los campos magnéticos creados por la corriente que circula por el interruptor. Aplique una corriente de prueba de c.d. al interruptor de aproximadamente un 70% del valor esperado. Si el interruptor automático no se dispara, aumente la corriente de prueba durante pruebas sucesivas hasta que se dispare. Cuando el interruptor se dispara:
  - a. Restablezca y cierre el interruptor
  - b. Vuelva a aplicar corriente de prueba de c.d. para disparar el interruptor automático nuevamente.
  - c. Anote la corriente y compárela con la curva de disparo.

### Pruebas en campo de los interruptores automáticos termomagnéticos de c.a.

Pasos recomendados para realizar las pruebas en campo con precisión de los interruptores automáticos (consulte los procedimientos de prueba en este manual para obtener información específica):

- Utilice equipo de pruebas apropiado.
- Asegúrese de que las temperaturas ambiente y del interruptor sean de 25° C ± 3 grados.
- Desmonte el interruptor automático del gabinete. Si no es práctico desmontar el interruptor, pruébelo en el equipo original. Si los resultados de la prueba caen fuera de la gama de tolerancia de la curva de disparo; desmonte el interruptor del gabinete y vuelva a probarlo.
- Utilice cable de tamaño correcto (según las tablas del NEC, NOM-001-SEDE) con un tramo mínimo de cable de 1,22 m (4 pies) por conexión.



- Pruebe cada polo individualmente.
- Asegúrese de que todas las conexiones al interruptor hayan sido apretadas correctamente.
- Pruebe el interruptor y anote los resultados. El mecanismo de disparo en el interruptor reacciona a los campos magnéticos creados por la corriente que circula por el interruptor. Cuando el flujo de corriente se acerca al punto de disparo del interruptor automático, los campos magnéticos pueden causar un disparo falso debido a vibración. Realice los siguientes pasos para minimizar los efectos de un disparo falso:
  - a. Después de cada impulso de corriente o cuando el interruptor se dispara, restablezca y vuelva a energizar el interruptor.
  - b. Vuelva a aplicar corriente de prueba para disparar el interruptor automático nuevamente.
  - c. Anote la corriente y compárela con la curva de disparo.

## Pruebas de funcionamiento

### Prueba de resistencia del aislamiento

Condiciones ambientales severas pueden reducir la fuerza dieléctrica de los interruptores automáticos en caja moldeada. Verifique la resistencia del aislamiento durante las pruebas del sistema eléctrico.

Para verificar la resistencia del aislamiento, realice los siguientes pasos:

1. Desenergice y aíse el interruptor.
2. Limpie el interruptor automático como se indicó anteriormente.
3. Use un megóhmetro de una capacidad de 500 a 1 000 V c.d. y aplique tensión de:
  - a. Cada fase a tierra con el interruptor automático en "ON" (contactos del interruptor cerrados).
  - b. Fase a fase con el interruptor automático en "ON" (contactos del interruptor cerrados).
  - c. Entre cada terminal de línea y carga con el interruptor en "OFF" (contactos del interruptor abiertos).
4. Anote los valores de resistencia. Los valores de resistencia de menos de 1 megohm (1 000 000 ohms) deberán averiguarse.

## PRECAUCIÓN

### PELIGRO DE DAÑO AL EQUIPO

No aplique tensión de prueba a los circuitos de control ni a las terminales de accesorios, ya que se pueden dañar los componentes electrónicos y/o de baja tensión.

**El incumplimiento de esta instrucción podrá causar daño al equipo.**

## Pruebas de funcionamiento de los interruptores automáticos termomagnéticos

### ⚠ PELIGRO

#### PELIGRO DE DESCARGA ELÉCTRICA, EXPLOSIÓN O DESTELLO POR ARQUEO.

- Utilice equipo de protección personal (EPP) apropiado y siga las prácticas de seguridad en trabajos eléctricos establecidas por su Compañía, consulte la norma 70E de NFPA.
- Solamente el personal eléctrico especializado deberá instalar y prestar servicio de mantenimiento a este equipo.
- Desenergice el equipo antes de realizar cualquier trabajo dentro o fuera de él.
- Siempre utilice un dispositivo detector de tensión nominal adecuado para confirmar la desenergización del equipo.
- Vuelva a colocar todos los dispositivos, las puertas y las cubiertas antes de volver a energizar el equipo.

**El incumplimiento de estas instrucciones podrá causar la muerte o lesiones serias.**

## Prueba de disparo por sobrecorriente de tiempo inverso

1. Desenergice completamente el interruptor y retírelo del servicio. Realice las siguientes pruebas en un 300% de la intensidad de la corriente del interruptor automático para verificar el funcionamiento de la unidad térmica de disparo en los interruptores termomagnéticos utilizando una fuente de alimentación de baja tensión de c.a. y alta corriente de menos de 24 V.
2. Pruebe al aire libre a una temperatura ambiente de 25°C (77°F).
3. Los tiempos de disparo se miden desde un “arranque en frío”. Un arranque en frío, según lo define la norma UL 489, sucede a 25°C ± 3° (77°F ± 5°). Por lo tanto, antes de comenzar la prueba de sobrecorriente, el interruptor automático deberá permanecer a una temperatura ambiente de 25°C (77°F) el tiempo suficiente para que todas sus partes alcancen esa temperatura. Los interruptores que se encuentran a temperaturas ambiente más elevadas a ésta les llevará de dos a cuatro horas más para alcanzar esta temperatura.
4. Conecte el interruptor a una fuente de alimentación empleando un cable de 1,2 m (4 pies) como mínimo en cada conexión. Elija el cable de tamaño adecuado según los valores de intensidad de la corriente del interruptor probado. Consulte la tabla 310-16 del NEC, NOM-001-SEDE, utilice la columna de 75°C para seleccionar el tamaño correcto de conductor. El cable de tamaño incorrecto afectará los resultados de la prueba.
5. Pruebe cada polo del interruptor individualmente en el 300% de la corriente nominal empleando una fuente de alimentación de c.a. de baja tensión y alta corriente.
6. Anote y compare los valores de las pruebas de disparo con los valores en la tabla 2. Siempre que los tiempos de disparo anotados se encuentren por debajo de los tiempos máximos de disparo, el interruptor automático proporcionará protección térmica aceptable.

Si es necesario verificar los datos del fabricante, compare los tiempos de disparo con la gama de disparo al 300% que se muestra en la curva de disparo para el interruptor específico. Si los resultados de la prueba en campo caen fuera de la gama de tolerancia de la curva de disparo característica; con cuidado evalúe las condiciones de la prueba y los métodos utilizados para obtener precisión. Un pequeño error en la corriente de prueba produce un gran error en el tiempo de disparo.

### Prueba de disparo (magnético) instantáneo

Esta prueba simula las condiciones de cortocircuito utilizando una fuente de alimentación de prueba de baja tensión. Para evitar que los campos magnéticos errantes afecten los resultados de la prueba, los cables de prueba que salen del interruptor deberán estar en paralelo con la trayectoria de la corriente del interruptor en un mínimo de 254 mm (10 pulg). Los resultados de la prueba también se pueden ver afectados por la forma de la onda de la corriente de la fuente de alimentación. Utilice una fuente de alimentación con una salida sinusoidal verdadera y rcm verdadera o un ampérmetro analógico para obtener resultados precisos. Para verificar el funcionamiento de la unidad de disparo (magnético) instantáneo, proceda de la siguiente manera:

**NOTA:** Pruebe los interruptores automáticos PA y PH con el interruptor montado en el kit de terminales de conexión (número de catálogo PALTB). Los interruptores automáticos PC deberán ser probados con el interruptor montado en el kit de terminales de conexión incluido.

**Tabla 2: Prueba de disparo por sobrecorriente de tiempo inverso<sup>1</sup>**

Corriente nominal continua	Tiempo máximo de disparo	
	240 V	480 V / 600 V
0–30 A	60 s	
31–50 A	80 s	100 s
51–100 A	140 s	160 s
101–150 A	200 s	250 s
151–225 A	230 s	275 s
226–400 A	300 s	350 s
401–600 A		450 s
601–800 A		500 s
801–1 000 A		600 s
1 001–1 200 A		700 s
1 201–1 600 A		775 s
1 601–2 000 A		800 s
2 001–2 500 A		850 s
2 501–5 000 A		900 s

<sup>1</sup> Para los interruptores automáticos termomagnéticos (en un 300% de la intensidad de la corriente del interruptor). De la tabla 5-3, norma NEMA AB 4-1996.

Pruebe los interruptores automáticos NA y NC en el equipo original o colocado en una superficie plana sobre un pedazo de acero de 3 mm (1/8 pulg) de grueso.

1. Configure el disparo (magnético) instantáneo del interruptor automático, si ha sido provisto, en el ajuste más alto. Las pruebas conducidas en el ajuste más alto garantizan una protección de disparo instantáneo en todos los ajustes inferiores.
2. Conecte el interruptor a la fuente de alimentación de prueba de baja tensión con un conductor de longitud práctica.
3. Pruebe cada polo individualmente empleando el método de impulsos de la siguiente manera:

El método de impulsos requiere que el equipo de pruebas tenga un cierre controlado y un ampérmetro de paro con indicador, un osciloscopio calibrado que almacene imágenes, o bien, un ampérmetro digital de alta velocidad de muestreo. El método de impulsos incluye los siguientes pasos:

- a. Conecte un polo del interruptor en prueba al equipo de prueba.
- b. Ajuste el control de la corriente del equipo de prueba en un valor al 70% aproximadamente del ajuste de la corriente de disparo instantáneo.

Por ejemplo: Si el ajuste de disparo (magnético) instantáneo es de 2 000 A, ajuste el equipo de prueba en 1 400 A.

- c. Después de que el interruptor automático ha sido conectado y ajustado correctamente, aplique corriente en impulsos de 10 ciclos aproximadamente.
  - d. Con el ajuste inicial del disparo instantáneo al 70%, aumente la corriente de cada impulso hasta que el interruptor se dispare. Después de cada impulso, mueva la palanca del interruptor automático completamente a la posición de restablecimiento, y luego a la posición de cerrado "ON".
  - e. Repita el paso D para verificar este valor. Comience con un nivel de corriente inferior al valor medido en el paso D para asegurarse de que no se produzca un disparo en el impulso inicial.
4. Anote el nivel de la corriente y el tiempo de disparo. Para asegurarse de tener protección en el conductor, la corriente necesaria para disparar el interruptor automático instantáneamente no debe exceder el 140% del ajuste más alto para los interruptores con marco de 250 A y de valor nominal inferior, y al 125% del ajuste más alto para los interruptores con marco de 400 A y de valor nominal superior. Estos ajustes se encuentran impresos en la etiqueta en la placa de datos del interruptor automático. Si para disparar el interruptor son necesarias corrientes más altas que estos niveles máximos, póngase en contacto con la oficina local de ventas.

Si los resultados de la prueba en campo caen fuera de la gama de tolerancia de la curva de disparo característica; con cuidado evalúe las condiciones de la prueba y los métodos utilizados para obtener precisión.

#### **Prueba de retención de la corriente nominal**

Esta prueba deberá ser realizada solamente en interruptores automáticos que se han estado disparando incorrectamente bajo condiciones normales de funcionamiento.

Conduzca la prueba a una temperatura ambiente de 25°C (77°F) utilizando una fuente de alimentación de c.a. de baja tensión y alta corriente. Siga el mismo procedimiento utilizado para la prueba de disparo por sobrecorriente

de tiempo inverso, pasos 1 a 3, en la página 58. Conecte todos los polos del interruptor automático en serie con los cables de tamaño apropiado para la aplicación. Estos cables deberán ser de 1,22 m (4 pies) de largo por terminal (2,43 m [8 pies] en total entre los polos). Todos los conectores deberán ser apretados correctamente según los valores especificados en la etiqueta del interruptor.

El interruptor automático no deberá dispararse al aplicar la corriente nominal del dispositivo al 100% durante una hora para aquellos interruptores con intensidad de corriente inferior a 100 A, o durante dos horas para los interruptores de más de 100 A. Si se dispara el interruptor, restablézcalo y mueva la palanca de la posición de abierto "OFF" a la posición de cerrado "ON" varias veces mientras está bajo carga, luego repita la prueba. Si el interruptor continua disparándose, póngase en contacto con la oficina local de ventas.

#### **Prueba de resistencia de los contactos**

Las pruebas de resistencia de los polos del interruptor automático no son indicadores fiables del funcionamiento del interruptor ya que los valores de resistencia son afectados por varios factores transitorios incluyendo la oxidación en la superficie de los contactos, material extraño entre los contactos así como los métodos de prueba. El inciso 6.4.1 de la norma NEMA AB 4 dice que: La caída de milivolts en los polos de un interruptor automático puede variar considerablemente debido a la variedad inherente en la resistencia demasiado baja de los conectores y contactos eléctricos. Dichas variaciones no predicen necesariamente un funcionamiento inaceptable, por consiguiente, no deberán utilizarse como criterio único para determinar un funcionamiento aceptable.

La alta resistencia de los polos también puede ser causada por la erosión de los contactos, baja fuerza de los contactos y conexiones sueltas en las terminales. El único factor probablemente presente en un interruptor nuevo es conexiones sueltas en las terminales; como los contactos son nuevos y no han sido expuestos a presión entre ellos, no es posible que se hayan desviado de los ajustes de fábrica. Las conexiones sueltas en las terminales pueden ser corregidas en campo.

Si se realiza una prueba de resistencia a los contactos, es importante hacerlo después de que estos hayan sido acondicionados por las pruebas de inyección primaria instantánea para asegurarse de que los contactos estén libres de películas resistivas, oxidación y material extraño. Si el interruptor automático ha estado en servicio sin problemas de funcionamiento (sobrecalentamiento o disparos incorrectos), las mediciones de resistencia de los contactos son redundantes y de poco valor.

Square D recomienda el uso de un óhmetro digital de baja resistencia (DLRO, por sus siglas en inglés), una corriente de prueba de 10 A de c.d. para los interruptores de menos de 100 A, y una corriente de 100 A de c.d. para los interruptores de 100 A y de mayor valor nominal. El valor medio (promedio) de las tres lecturas (articulación de la palanca del interruptor entre cada lectura) de cada polo probado deberá ser anotado. Si este valor es igual a o menor que el valor en la tabla 3, el polo es aceptable. Si la lectura es mayor, la causa se deberá averiguar y corregir (si es posible). Póngase en contacto con la oficina local para obtener información.

**Tabla 3: Valor máximo de resistencia por polo en micro-ohms**

Interruptor automático		Micro-ohms (μohm)	Interruptor automático		Micro-ohms (μohm)	Interruptor automático		Micro-ohms (μohm)	Interruptor automático		Micro-ohms (μohm)			
Tipo	Valor nominal		Tipo	Valor nominal		Tipo	Valor nominal		Tipo	Valor nominal				
FA, FH, FC	15	38 400	KA, KH	70	3 420	MA, MH	125	1 970	JD, JG, JJ, JL	150	890			
	20	23 100		80	2 620		175	1 120		175	680			
	25	14 800		90	2 390		200	890		200	540			
	30	10 400		100	1 930		225	730		225	430			
	35	7 860		110	1 620		250	600	250	350				
	40	6 010		125	1 250		300	425	NSF, CG, CJ	16	35 000			
	45	5 180		150	890		350	322		25	14 000			
	50	4 190		175	680		400	246		32	7 000			
	60	2 910		200	540		500	180		40	6 000			
	70	2 340		225	430		600	140		50	4 000			
80	1 790	250	350	700	115	63	2 800							
FD, FG, FJ	90	1 430	KC, KI	110	1 620	HD, HG, HJ, HL	800	96	MG, MJ	80	1 700			
	100	1 160		125	1 250		900	83		100	1 100			
	FI	15		34 700	150		890	1000		67	NSJ	400	240	
		20		19 500	175		680	15		35 000		600	140	
		25		12 500	200		540	20		23 000	NA, NC	300	780	
		30		9 550	225		430	25		14 000		350	570	
		35		7 020	250		350	30		10 400		400	440	
		40		6 800	LA, LH		125	1 500		35		7 860	450	350
		45		5 780			150	1 200		40		6 010	500	280
		50		5 000			175	980		45		5 180	600	190
60		4 120	200	770		50	4 190	700	140					
70		3 510	225	610		60	2 910	800	110					
80	3 170	250	500	70		2 340	PA, PH, PC	600	138					
90	2 510	300	350	80		1 790		700	131					
100	2 260	350	260	90		1 430		800	105					
110	2 060	400	200	100		1 160		900	100					
125	1 800	300	589	125		1 250		1000	82					
20	26 200	350	513	150	230	1200		69						
25	17 700	400	308	LI, LC	600	132	700	123						
30	12 300	450	310		800	100	1000	77						
35	9 070	500	286		1200	66	1400	61						
40	7 330	600	209		1600	50	1800	43						
45	5 790				2000	38	2500	33						
50	4 930													
60	3 420													
70	3 020													
80	2 310													
90	1 980													
100	1 600													

### Desconexión de la prueba

Al completar la prueba:

- Desconecte todos los cables de prueba del interruptor.
- Realice una inspección visual a las conexiones para determinar si se ha causado daño durante la prueba.

### Información adicional

Si necesita más información sobre los interruptores automáticos marca Square D, consulte el manual de instrucciones correspondiente. Estos manuales contienen las instrucciones de instalación, información de montaje, funciones de seguridad, diagramas de alambrado y cuadros de diagnóstico de problemas para interruptores automáticos específicos.

## Sección 4—Pruebas de funcionamiento de los interruptores de potencia Masterpact® e interruptores automáticos PowerPact®

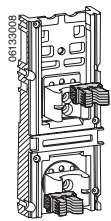
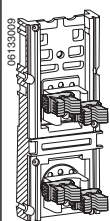
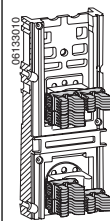
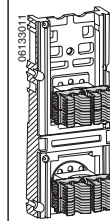
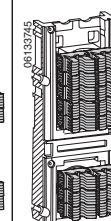
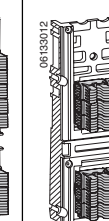
Con estas pruebas se verifica el funcionamiento de los interruptores de disparo electrónico Masterpact® y PowerPact®.

### Inspección de las pinzas de conexión (interruptores removibles Masterpact solamente)

Para los interruptores removibles Masterpact:

1. Inspeccione las pinzas de conexión y sus soportes situados en la parte de atrás del interruptor. Asegúrese de que las pinzas de conexión estén correctamente instaladas como se muestra en la tabla 4.
2. Realice una inspección visual a las pinzas de conexión para ver si encuentra indicaciones de daños tales como:
  - Áreas decoloradas
  - Restos de cobre visible en los dedos
  - Resortes rotos o cuarteados
  - Pinzas de conexión faltantes
  - Las pinzas no están alineadas (indica daños en los resortes)
3. Realice una inspección visual a las pinzas de conexión para ver si se han desgastado.
4. Asegúrese de que todas las pinzas de conexiones tengan sujetadores instalados, consulte la página 65. Si no los tienen, instálelos de acuerdo con la ilustración en la página 65.

**Tabla 4: Configuración de las pinzas de conexión**

Cantidad de pinzas de conexión por polo					
2	4	6	8	16	24
					

**Sustitución de las pinzas de conexión**

**PRECAUCIÓN**

**PELIGRO DE DAÑO AL EQUIPO**

- Si se llegasen a retirar las pinzas de conexión por cualquier razón, las pinzas tendrán que volverse a colocar empleando la herramienta de posicionamiento, accesorio S47542.
- Lubrique las pinzas de conexión como se muestra en Lubricación de las pinzas de conexión en la página 67.
- Ajuste las pinzas de conexión como se muestra en "Ajuste de los resortes de las pinzas de conexión" en la página 67.
- Utilice solamente una lengüeta de prueba de 9,5 mm (3/8 pulg) de ancho o herramienta de ajuste (CLUSRETOOL) en la mordaza de las pinzas de conexión. Las lengüetas de prueba de más de 9,5 mm (3/8 pulg) de ancho dañarán las pinzas.

**El incumplimiento de estas instrucciones puede causar daño al equipo.**

Si se llegasen a retirar las pinzas de conexión por cualquier razón, las pinzas tendrán que volverse a colocar empleando la herramienta de posicionamiento, accesorio S47542.

**Tabla 5: Cantidad de pinzas de conexión por polo**

Tipo	N / N1	H1	HA	H / H2 / H3 / HF	L / L1 / LF / L1F / HB / NC	
V ~	NW08	2	4	4	4 / 6 / 6 / 4	8
	NW12	2	—	—	4	8
	NW16	6	6	6	6	8
	NW20	8	8	8	8	16
	NW25 / NW30	—	—	—	16	16
	NW32	—	16	16	16	24
	NW40/NW50	—	—	24	24	24
V ≡	NW60	—	—	—	24	24
	NW80 / NW12 / NW16 / NW20 / NW25					8
	NW30 / NW40					16

**Tabla 6: Kits de sujetador de pinzas de conexión**

Descripción	Tamaño de marco	Tipo de interrupción	Pinzas de conexión por polo	Kit de sujetador de pinzas de conexión		Color del sujetador		
				3P	4P	Superior	Inferior	
Interruptor automático registrado bajo la norma UL489	800/1600 A	N/H	2, 4 ó 6	CRK2000A3P	CRK2000A4P	Sin color	Sin color	
		L/LF	8	CRK2000A3P	N/A	Sin color	Sin color	
	2000 A	N/H	8	CRK2000A3P	CRK2000A4P	Sin color	Sin color	
		L/LF	16	CRK3000L3P	N/A	Sin color	Sin color	
	2500/3000 A	H	16	CRK3200A3P	CRK3200A4P	Rojo	Negro	
		L	16	CRK3000L3P	N/A	Rojo	Negro	
	4000/5000/6000 A	H	24	CRK6000A3P	CRK6000A4P	Rojo	Negro	
		L	24	CRK6000A3P	N/A	Negro	Negro	
	Desconectador seccionador automático registrado bajo la norma UL489	800/1600 A	HF	4 ó 6	CRK2000A3P	CRK2000A4P	Negro	Negro
			HB	8	CRK2000A3P	N/A	Sin color	Sin color
2000 A		HF	8	CRK2000A3P	CRK2000A4P	Sin color	Sin color	
		HB	16	CRK3000L3P	N/A	Sin color	Sin color	
2500/3000 A		HF	16	CRK3200A3P	CRK3200A4P	Rojo	Negro	
		HB	16	CRK3000L3P	N/A	Rojo	Negro	
4000/5000/6000 A		HF	24	CRK6000A3P	CRK6000A4P	Rojo	Negro	
		HB	24	CRK6000A3P	N/A	Negro	Negro	
Interruptor de potencia Masterpact NW certificado bajo la norma ANSI C37		800/1600 A	N1/H1/H2/H3	2, 4 ó 6	CRK2000A3P	CRK2000A4P	Negro	Negro
			L1/L1F	8	CRK2000A3P	N/A	Sin color	Sin color
	2000 A	H1/H2/H3	8	CRK2000A3P	CRK2000A4P	Sin color	Sin color	
		L1/L1F	16	CRK3000L3P	N/A	Sin color	Sin color	
	3200 A	H1/H2/H3	16	CRK3200A3P	CRK3200A4P	Sin color	Sin color	
		L1	24	CRK6000A3P	N/A	Rojo	Negro	
	4000/5000 A	H2/H3	24	CRK6000A3P	CRK6000A4P	Rojo	Negro	
		L1	24	CRK6000A3P	N/A	Negro	Negro	
	800/1600 A	HA	4 ó 6	CRK2000A3P	CRK2000A4P	Negro	Negro	
		2000 A	HA	8	CRK2000A3P	CRK2000A4P	Negro	Negro
Desconectadores seccionadores no automáticos Masterpact NW certificados bajo la norma ANSI C37	3200 A	HA	16	CRK3200A3P	CRK3200A4P	Sin color	Sin color	
		4000/5000 A	HA	24	CRK6000A3P	CRK6000A4P	Sin color	Sin color
	800/1600 A	HF	4 ó 6	CRK2000A3P	CRK2000A4P	Rojo	Negro	
		HC	8	CRK2000A3P	N/A	Negro	Negro	
Desconectadores seccionadores automáticos	2000 A	HF	8	CRK2000A3P	CRK2000A4P	Sin color	Sin color	
		HC	16	CRK3000L3P	N/A	Sin color	Sin color	
	3200 A	HF	16	CRK3200A3P	CRK3200A4P	Sin color	Sin color	
		HC	24	CRK6000A3P	N/A	Rojo	Negro	
	4000/5000 A	HF	24	CRK6000A3P	CRK6000A4P	Rojo	Negro	
		HC	24	CRK6000A3P	N/A	Negro	Negro	
Interruptor de potencia de c.d. registrado bajo la norma UL489	800/1200/1600/2000/2500 A	All	8	CRK2500D2P	N/A	Sin color	Sin color	
	3000/4000 A	All	16	CRK4000D2P	N/A	Rojo	Negro	
Clip del sujetador de pinzas de conexión	Todos	Todos	—	CRCLIP	—	—	—	

ESPAÑOL



**⚠ PELIGRO****PELIGRO DE DESCARGA ELÉCTRICA, EXPLOSIÓN O DESTELLO POR ARQUEO**

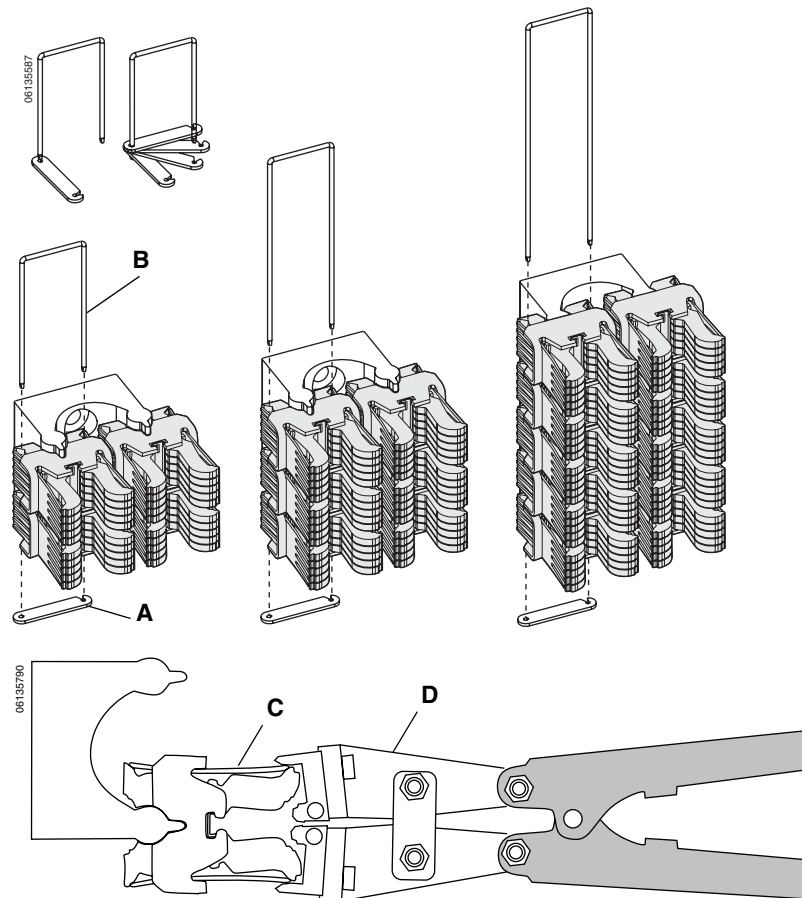
Instale el sujetador de pinzas de conexión correcto identificado por color según el tamaño y tipo de interruptor. Vea la tabla 6.

**El incumplimiento de estas instrucciones podrá causar la muerte o lesiones serias.**

**NOTA:** El clip sujetador de pinzas de conexión no se puede volver a usar. Utilice un clip sujetador de pinzas de conexión nuevo, número de pieza CRCLIP.

1. Sustituya las pinzas de conexión desgastadas o dañadas en todas las configuraciones excepto las pinzas inferiores en la configuraciones con 16 y 24 pinzas.
  - a. Retire el clip (A) y el sujetador (B) de las pinzas de conexión, si viene equipado con ellos. Deseche el clip sujetador de las pinzas de conexión. Retire las pinzas de conexión dañadas o desgastadas.
  - b. Instale las nuevas pinzas de conexión (C) utilizando la herramienta de posicionamiento S47542 (D).
  - c. Sujete las pinzas de conexión utilizando el nuevo clip (A) y el sujetador (B).

**Figura 1: Sustitución de las pinzas de conexión**



**⚠ PELIGRO**

**PELIGRO DE DESCARGA ELÉCTRICA, EXPLOSIÓN O DESTELLO POR ARQUEO**

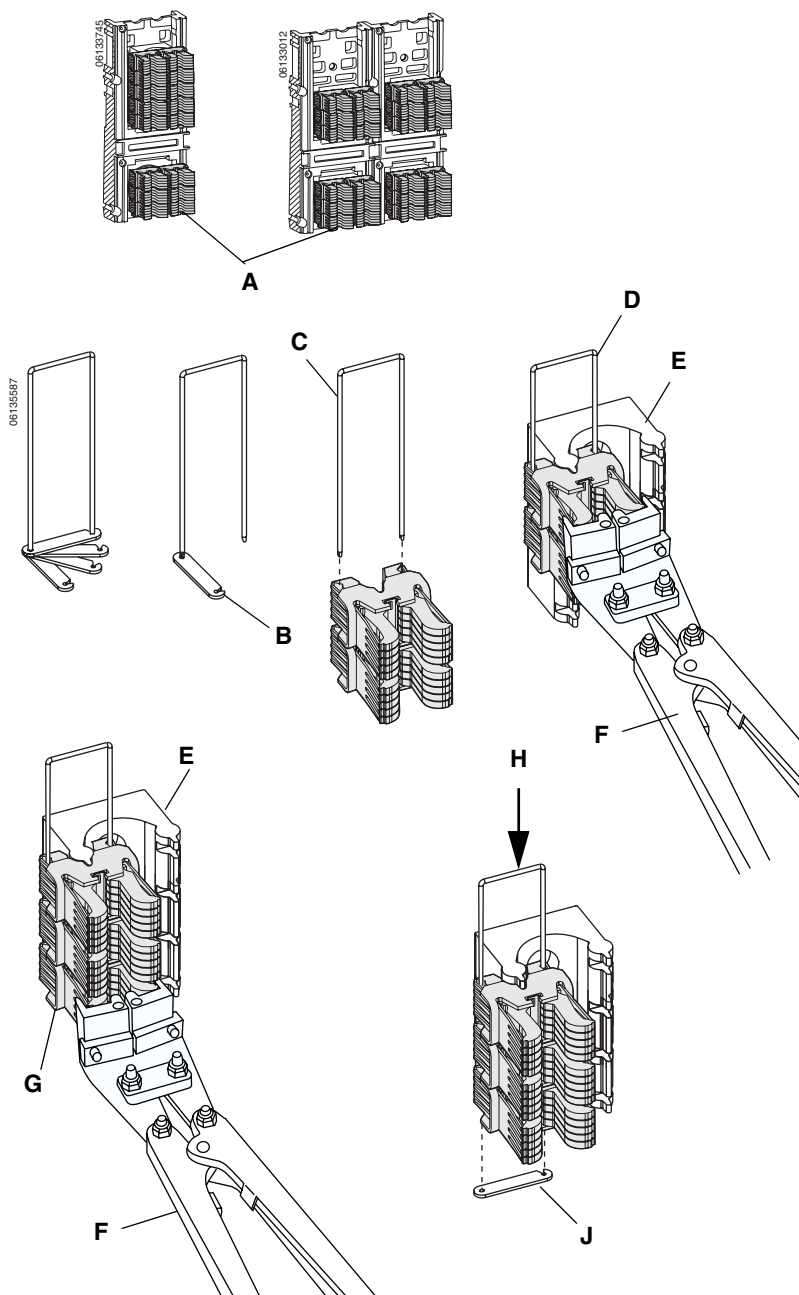
Instale el sujetador de pinzas de conexión correcto identificado por color según el tamaño y tipo de interruptor. Vea la tabla 6.

**El incumplimiento de estas instrucciones podrá causar la muerte o lesiones serias.**

2. Sustituya las pinzas de conexión desgastadas o dañadas en el grupo inferior (A) en las configuraciones con 16 y 24 pinzas.

- a. Retire el clip (B) y el sujetador (C) de las pinzas de conexión, si viene equipado con ellos. Deseche el clip sujetador de las pinzas de conexión. Retire todas las pinzas de conexión y deseche aquellas que estén dañadas o desgastadas.
- b. Deslice el sujetador (C) por dos pinzas de conexión hasta que la parte inferior del sujetador se encuentre a ras con la parte inferior de la pinza de conexión inferior. Consulte la tabla 6 para obtener información sobre el kit de sujeción de las pinzas de conexión y color de sujetador correctos.
- c. Instale las dos pinzas de conexión y el sujetador (D) en las dos muescas superiores del soporte (E) empleando la herramienta de posicionamiento S47542 (F).
- d. Instale la tercer pinza de conexión (G) en la muesca inferiores del soporte (E) empleando la herramienta de posicionamiento S47542 (F).
- e. Deslice el sujetador (H) por la tercera pinza de conexión y sujétela empleando el nuevo clip sujetador (J).
- f. Repita este procedimiento para las pinzas de conexión en el otro lado del soporte.

Figura 2: Sustitución de las pinzas de conexión



## Ajuste de los resortes de las pinzas de conexión

Ajuste las pinzas de conexión con un pedazo de barra (A) de 9,5 mm (3/8 pulg) de ancho o herramienta de ajuste (B), número de catálogo CLUSRETOOL.

- Lubrique los lados de la herramienta (C) de ajuste de pinzas de conexión, kit no. S48899.
- Las pinzas de conexión deberán ser ajustadas cada vez que el interruptor es desmontado de su compartimento.
- Las pinzas de conexión deben ser ajustadas después de la prueba de inyección primaria.

## Lubricación de las pinzas de conexión

Utilice el kit de lubricación S48899 para lubricar las mordazas de las pinzas de conexión, como se muestra en la figura 4.

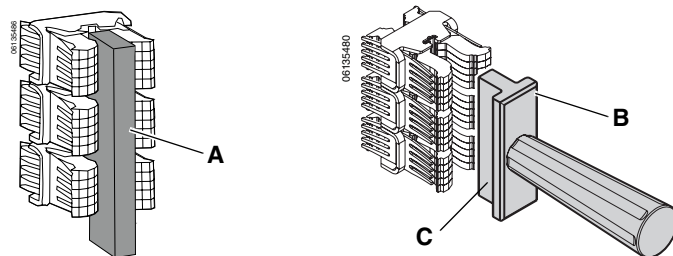
## ⚠ PELIGRO

### PELIGRO DE DESALINEACIÓN O DESENGANCHE DE LAS PINZAS DE CONEXIÓN

Las pinzas de conexión deben ser ajustadas con o sin los clips para reducir el riesgo de desalineación o desenganche de las pinzas.

**El incumplimiento de esta instrucción podrá causar la muerte o lesiones serias debido a quemadura o destello por arco.**

Figura 3: Ajuste del resorte de las pinzas de conexión



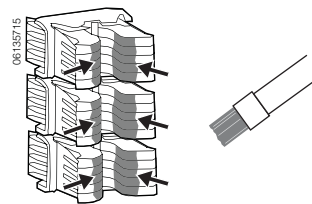
## PRECAUCIÓN

### PELIGRO DE DAÑO AL EQUIPO

Inspeccione las pinzas de conexión y asegúrese de que estén lubricadas al desmontar el interruptor de la cuna.

**El incumplimiento de esta instrucción puede causar daño al equipo.**

Figura 4: Aplicación de lubricante en las pinzas de conexión



### Lubricación de las lengüetas de la cuna

Las lengüetas de la cuna deberán ser lubricadas e inspeccionadas visualmente al instalar la cuna por primera vez y de nuevo durante los intervalos de servicio de mantenimiento después de haber desconectado toda la alimentación.

Confirme que ambos lados de las lengüetas estén cubiertos con lubricante. Si fuese necesario, emplee el kit de grasa (número de catálogo S48899) para lubricar las lengüetas.

### Instalación del interruptor extraído en la posición de desconectado

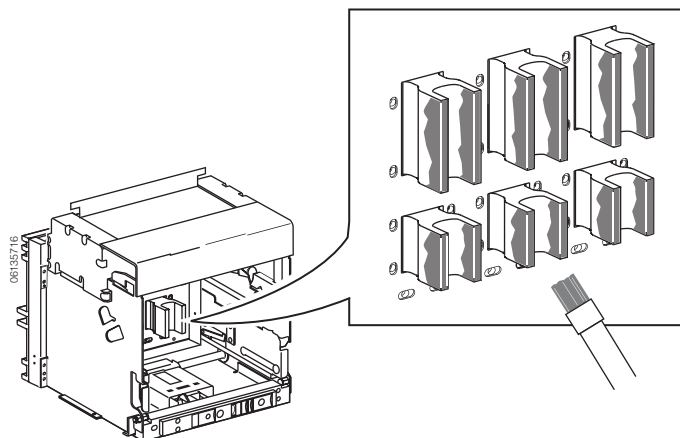
## ⚠ PELIGRO

### PELIGRO DE DESCARGA ELÉCTRICA, EXPLOSIÓN O DESTELLO POR ARQUEO

- Utilice equipo de protección personal (EPP) apropiado y siga las prácticas de seguridad en trabajos eléctricos establecidas por su Compañía, consulte la norma 70E de NFPA.
- Solamente el personal eléctrico especializado deberá instalar y prestar servicio de mantenimiento a este equipo.
- Desenergice el equipo antes de realizar cualquier trabajo dentro o fuera de él.
- Siempre utilice un dispositivo detector de tensión nominal adecuado para confirmar la desenergización del equipo.
- Vuelva a colocar todos los dispositivos, las puertas y las cubiertas antes de energizar este equipo.

**El incumplimiento de estas instrucciones podrá causar la muerte o lesiones serias.**

Figura 5: Aplicación de lubricante en las lengüetas de la cuna

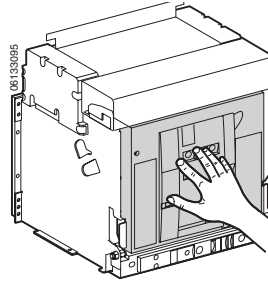


## ⚠ PELIGRO

### PELIGRO DE DESALINEACIÓN O DESENGANCHE DE LAS PINZAS DE CONEXIÓN

El uso de fuerza excesiva al colocar el interruptor en la posición de desconectado, más allá de la fuerza necesaria para vencer la resistencia de instalación normal, puede producir la desalineación o desenganche de las pinzas de conexión.

**El incumplimiento de esta instrucción podrá causar la muerte o lesiones serias debido a quemadura o destello por arco.**

**Figura 6: Instalación del interruptor extraído en la posición de desconectado**

## Pruebas de funcionamiento

### ⚠ PELIGRO

#### PELIGRO DE DESCARGA ELÉCTRICA, EXPLOSIÓN O DESTELLO POR ARQUEO.

- Utilice equipo de protección personal (EPP) apropiado y siga las prácticas de seguridad en trabajos eléctricos establecidas por su Compañía, consulte la norma 70E de NFPA.
- Solamente el personal eléctrico especializado deberá instalar y prestar servicio de mantenimiento a este equipo.
- Desenergice el equipo antes de realizar cualquier trabajo dentro o fuera de él.
- Siempre utilice un dispositivo detector de tensión nominal adecuado para confirmar la desenergización del equipo.
- Vuelva a colocar todos los dispositivos, las puertas y las cubiertas antes de volver a energizar el equipo.
- No toque las terminales del interruptor ni los conductores de prueba mientras se está probando el interruptor.

**El incumplimiento de estas instrucciones podrá causar la muerte o lesiones serias.**

Realice las pruebas de funcionamiento en el orden que figuran para maximizar la precisión de los resultados.

**NOTA:** Nunca realice la prueba de resistencia de los contactos antes de realizar la prueba de inyección primaria instantánea. La prueba de inyección primaria asegurará que los contactos estén libres de películas resistivas, oxidación y material extraño.

Las siguientes pruebas tienen como objetivo verificar que un interruptor esté funcionando correctamente. Las curvas de disparo características son establecidas bajo condiciones de prueba precisas controladas en la fábrica. Si los resultados de la prueba en campo caen fuera de la gama de tolerancia de la curva de disparo característica; con cuidado evalúe las condiciones de la prueba y los métodos utilizados para obtener precisión.

Si durante las pruebas de funcionamiento e inspección los resultados o condiciones son cuestionables, póngase en contacto con la oficina local de ventas. Los interruptores con accesorios o modificaciones de fábrica pueden requerir atención especial. Si es necesario devolver un interruptor a la fábrica, utilice embalaje apropiado para evitar que se dañe durante el transporte.

**Prueba de rigidez dieléctrica para los interruptores de potencia Masterpact con unidades de disparo Micrologic® P o H**

**PRECAUCIÓN**

**PELIGRO DE DAÑO AL EQUIPO**

- Las pruebas de rigidez dieléctricas (de alto potencial, resistencia al aislamiento o pruebas de resistencia eléctrica) pueden dañar las unidades de disparo Micrologic® P y H.
- Retire el calibrador de la unidad de disparo antes de realizar una prueba.
- Sustituya la unidad de disparo si no retiró el calibrador durante las pruebas o si ésta fue expuesta a más de 700 V~ (c.a.).

**El incumplimiento de estas instrucciones puede causar daño al equipo.**

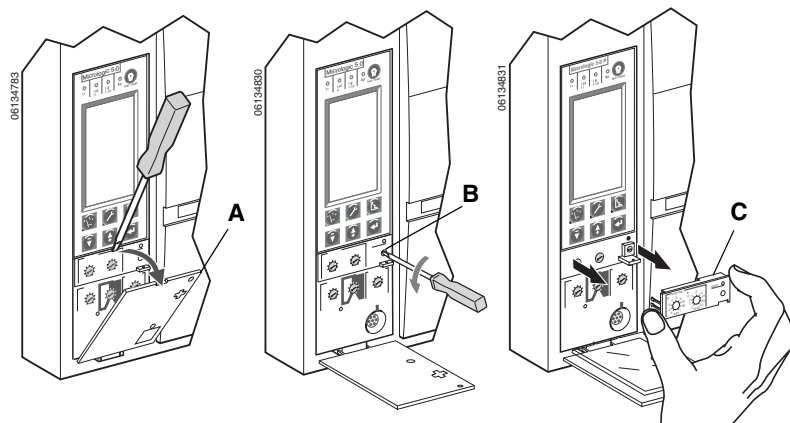
1. Abra la cubierta de los selectores (A).
2. Desatornille el tornillo de montaje (B) del calibrador.
3. Retire el calibrador (C).

Las pruebas de rigidez dieléctrica (de alto potencial, resistencia al aislamiento o pruebas de resistencia eléctrica) se usan para asegurar la separación y el aislamiento apropiados entre las fases y entre cada fase y tierra. El equipo utilizado para realizar estas pruebas crea una tensión de alto potencial (miles de volts) para verificar la integridad dieléctrica o del aislamiento.

El calibrador conecta/desconecta la unidad de disparo con las conexiones de tensión del interruptor. Antes de realizar cualquier prueba de alta tensión, retire el calibrador como se muestra.

**NOTA:** Solamente las unidades de disparo Micrologic P y H tienen conexiones para la tensión de fase. En los demás tipos de unidad de disparo, no es necesario retirar el calibrador antes de realizar la prueba de rigidez dieléctrica.

**Figura 7: Desmontaje del calibrador**



**PRECAUCIÓN**

**PELIGRO DE DAÑO AL EQUIPO**

No aplique tensión de prueba a los circuitos de control ni a las terminales de accesorios, ya que se pueden dañar los componentes electrónicos y/o de baja tensión.

**El incumplimiento de esta instrucción podrá causar daño al equipo.**

**Prueba de resistencia del aislamiento**

Condiciones ambientales severas pueden reducir la fuerza dieléctrica de los interruptores automáticos en caja moldeada. Verifique la resistencia del aislamiento durante las pruebas del sistema eléctrico.

Para verificar la resistencia del aislamiento, realice los siguientes pasos:

1. Desenergice y aíse el interruptor.
2. Limpie el interruptor como se indicó anteriormente.

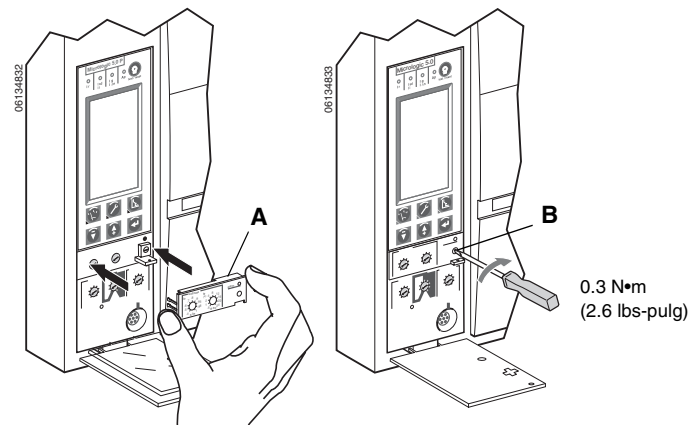
3. Use un megóhmetro de una capacidad de 500 a 1 000 V c.d. y aplique tensión de:
  - a. Cada fase a tierra con el interruptor en “ON” (contactos del interruptor cerrados).
  - b. Fase a fase con el interruptor en “ON” (contactos del interruptor cerrados).
  - c. Entre cada terminal de línea y carga con el interruptor en “OFF” (contactos del interruptor abiertos).
4. Anote los valores de resistencia. Los valores de resistencia de menos de 1 megohm (1 000 000 ohms) deberán averiguarse.

Después de terminar la prueba:

1. Vuelva a colocar el calibrador (A).
2. Apriete el tornillo de montaje (B) del calibrador.

**NOTA:** Si el calibrador no se instala, el interruptor asumirá un valor de ajuste para la activación de largo tiempo de 0,4 x el valor del sensor ( $I_n$ ) y algunas de las funciones avanzadas no estarán disponibles.

**Figura 8: Colocación del calibrador**



### Verificación de las unidades de disparo Micrologic

Utilice el equipo de pruebas portátil o el equipo de pruebas de amplias funciones para verificar el funcionamiento de la unidad de disparo Micrologic® del interruptor a través de pruebas de inyección secundaria.

Las pruebas de inyección secundaria no prueban los transformadores de corriente ni las conexiones. Se recomienda realizar pruebas de inyección primaria para asegurarse de haber conectado correctamente el sistema de disparo.

Si el interruptor se prueba con el método de inyección primaria, el sistema Powerlogic® puede permanecer conectado al interruptor durante la prueba sin afectar los resultados.

**NOTA:** La prueba de un interruptor conectado a un sistema Powerlogic hace que el sistema reaccione como si el interruptor mismo estuviese experimentando las fallas reales.

### Procedimiento para anular el enclavamiento selectivo de zona

El enclavamiento selectivo de zona es un método de comunicación entre los dispositivos de protección contra sobrecorriente de disparo electrónico. El enclavamiento selectivo de zona permite a los dispositivos enclavados, en diferentes niveles, funcionar juntos como un sistema en el que un cortocircuito o falla a tierra es aislada y eliminada con un tiempo de retardo mínimo. El objetivo de la anulación de este enclavamiento es verificar las funciones de tiempo de retardo por falla a tierra y cortocircuito del interruptor específico. Para las pruebas, el enclavamiento selectivo de zona puede ser inhibido en los interruptores Masterpact equipados con unidades de disparo Micrologic® empleando el equipo de pruebas portátil o de amplias funciones.



## Pruebas de inyección secundaria

Para la instalación en campo de una unidad de disparo es necesario realizar pruebas de inyección secundaria con un equipo de pruebas de amplias funciones. Esto garantizará el funcionamiento correcto de la unidad de disparo recién instalada. Durante la prueba será necesario abrir y cerrar el interruptor. Siga los procedimientos detallados en los boletines de instrucciones incluidos con el interruptor y el equipo de pruebas de amplias funciones.

1. Asegúrese de que el interruptor esté aislado de todos los dispositivos de corriente ascendente y corriente descendente.
2. Realice las pruebas de inyección secundaria de acuerdo con las instrucciones del boletín incluido con el equipo de pruebas de amplias funciones. Asegúrese de que todas las funciones aplicables de la unidad de disparo funcionen correctamente.
3. Repita el paso 2 con el interruptor en la posición de abierto.

**NOTE:** No cierre el interruptor durante este paso aun cuando el equipo de pruebas indique que deberá estar cerrado.

4. Si falla alguna de las pruebas, no ponga el interruptor en servicio y comuníquese con la oficina local de ventas y solicite servicio autorizado de fábrica.

## Prueba de inyección primaria

### PRECAUCIÓN

#### PELIGRO DE DAÑO AL EQUIPO

- Los interruptores son pesados y se pueden dañar si se manejan incorrectamente. Proceda con cuidado al manejar y transportar el interruptor para probar el equipo.
- Realice las conexiones en el interruptor cuidadosamente empleando cable de tamaño correcto y métodos de conexión apropiados. No utilice pinzas u otros métodos que puedan marcar o dañar el acabado de los conectores.
- Cuando conecte un interruptor removible, utilice un equipo de pruebas de inyección primaria aprobado. Ajuste la posición del interruptor de manera que se alineen sus pinzas de conexión con los conectores o el equipo de pruebas de inyección primaria.

**El incumplimiento de estas instrucciones puede causar daño al equipo.**

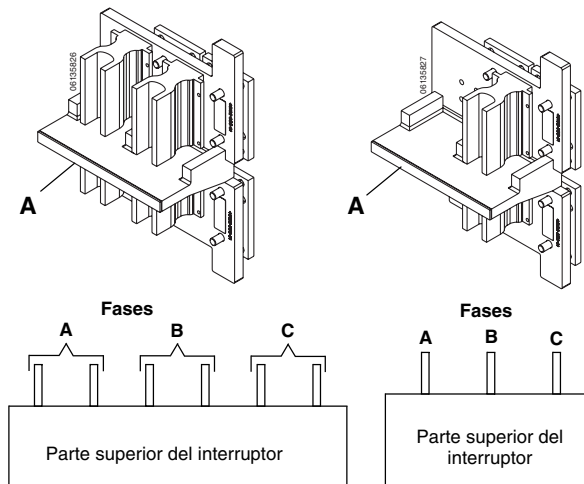
Se recomienda realizar pruebas de inyección primaria para asegurarse de haber conectado correctamente el sistema de disparo.

1. Si realiza pruebas de inyección primaria en los interruptores removibles, conecte el interruptor a la fuente de alimentación empleando un equipo de pruebas de inyección primaria.

**Tabla 7: Equipo de pruebas de inyección primaria**

Interruptor automático	Fuente de alimentación	Equipo de pruebas necesario
Masterpact NW	Phenix	ULW10025
	MultiAmp	ULW10026
Masterpact NT	Phenix o MultiAmp	ULW10027
PowerPact	Phenix o MultiAmp	ULW10027
Todos los tipos	Otro que no sea Phenix o MultiAmp	Póngase en contacto con la oficina de campo.

**Figura 9: Adaptador típico de pruebas de inyección primaria**

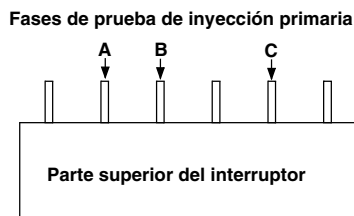




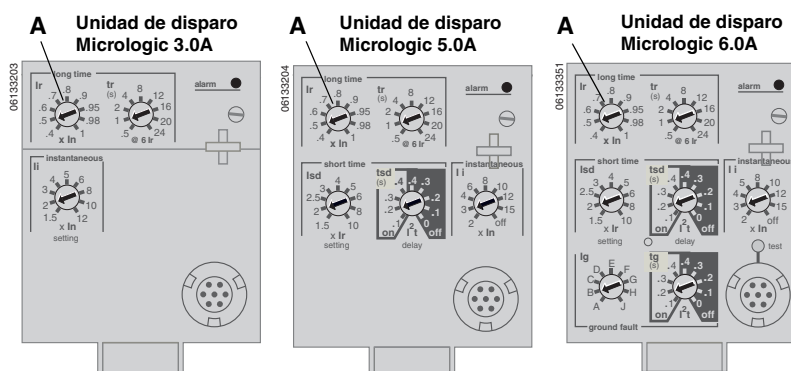
- Instale el equipo de pruebas de inyección primaria siguiendo las instrucciones enviadas con el equipo.
  - Ajuste la altura del interruptor de manera que el tope (A, arriba) entre las placas superior e inferior del equipo de pruebas se encuentre entre los conectores superior e inferior del interruptor cuando éste se encuentra en la posición de conectado.
  - Alinee el interruptor de manera que las pinzas de conexión en la fase del interruptor que se está probando se alineen con los conectores con el equipo de pruebas de inyección primaria.
  - Emplee el kit de grasa (número de catálogo S48899) para lubricar los conectores. Para no dañar la mordaza de las pinzas de conexión, utilice sólo un equipo de pruebas aprobado.
- Si realiza pruebas de inyección primaria en los interruptores fijos, conecte el interruptor a la fuente de alimentación empleando cable de tamaño correcto y un método de conexión apropiado.
  - Anote cada uno de los ajustes de los selectores en la unidad de disparo original. (Los ajustes deberán ser reconfigurados después de completar la prueba).
  - Ajuste el selector de activación de tiempo largo (Ir) en el valor mínimo de la gama de ajustes.

**NOTA:** Interruptores de construcción amplia solamente—Cuando se realizan pruebas de inyección primaria a un interruptor con seis conectores de barra, se inyecta corriente en las fases, tal como se muestra en la figura 10. No inyecte corriente en las barras de afuera

**Figura 10: Interruptores de construcción amplia**

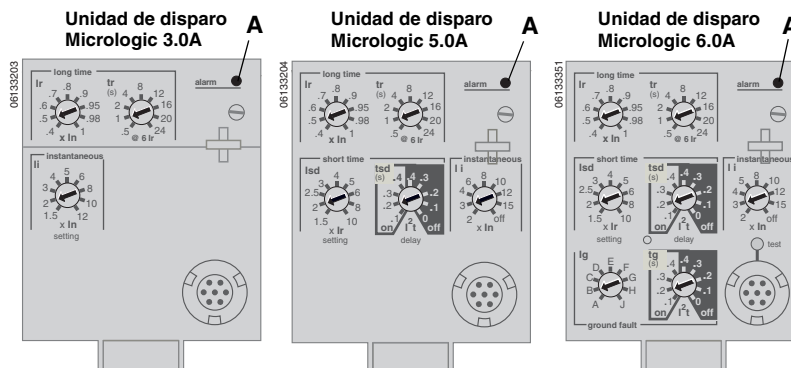


**Figura 11: Anotación de los ajustes de los selectores**



- Para las unidades de disparo por falla a tierra y/o enclavamiento selectivo de zona, utilice el equipo de pruebas portátil o el equipo de pruebas de amplias funciones para inhibir las funciones de falla a tierra y del enclavamiento selectivo de zona.
- Si se utiliza una fuente de alimentación auxiliar en la unidad de disparo Micrologic, desconéctela.
- Localice la corriente de inyección primaria necesaria multiplicando el valor de la corriente de activación de tiempo largo (ajuste de activación de tiempo largo  $I_r \times$  el sensor enchufable)  $\times 125\%$  (i.e.  $I_r \times I_n \times 1,125$ ).
- Inyecte corriente primaria en la fase A y monitoree la luz indicadora de sobrecarga. Asegúrese de que se ilumine la luz indicadora (A) de sobrecarga dentro del 105% y 120% del valor  $I_r \times I_n$ .
- Repita este paso para cada una de las fases y el neutro (según sea pertinente).
- Si el indicador de sobrecarga no se ilumina correctamente, revise todas las conexiones de la unidad de disparo y la configuración de prueba. Si aún fallan las pruebas de inyección primaria de la unidad, comuníquese con la oficina de ventas local.

Figura 12: Luz indicadora de sobrecarga



**Interruptores con protección contra fallas a tierra integral**

Los interruptores con disparo electrónico Micrologic® con la función integral de protección contra fallas a tierra requieren atención especial al probar las funciones de sobrecarga y cortocircuito. Las pruebas de inyección primaria de un polo para las funciones de sobrecorriente de tiempo inverso, tiempo corto e instantánea provocarán disparos de falla a tierra debido al trayecto de la corriente de retorno que no pasa por el interruptor. Para evitar esto, utilice el equipo de pruebas portátil o de amplias funciones para anular la función de falla a tierra en los interruptores Masterpact o PowerPact equipados con unidades de disparo Micrologic.

**Pruebas de indicación y protección contra fallas a tierra solamente para los sistemas radiales**

**Prueba de disparo por falla a tierra**

La función de falla a tierra de un interruptor con disparo electrónico Micrologic® proporciona protección contra fallas a tierra al equipo con valores de retardo y activación ajustables. La función de retardo de falla a tierra determina cuánto tiempo esperará el interruptor antes de iniciar una señal de disparo durante una falla a tierra. Las funciones de falla a tierra del interruptor pueden ser probadas empleando una fuente de alimentación de c.a. de baja tensión y alta corriente.

**Procedimiento de prueba**

1. Desenergice completamente el interruptor y retírelo del servicio.
2. Antes de la prueba, anote los ajustes de retardo y activación de todas las funciones. Ajuste la unidad de disparo en los mismos valores después de haber completado el procedimiento de prueba.
3. Si va a probar un interruptor que está equipado con un enclavamiento selectivo de zona, siga el procedimiento para anular el enclavamiento, en la página 71. Si va a usar un equipo de pruebas de inyección secundaria para este procedimiento, lea y siga cuidadosamente las instrucciones del equipo de prueba sobre el enclavamiento selectivo de zona.

**NOTA:** Si no se anula el enclavamiento selectivo de zona se producirán inexactitudes en el tiempo de disparo.

4. Use estos ajustes para la prueba:  
 Activación de tiempo largo/Intensidad de la corriente = Máx.  
 Retardo de tiempo largo/sobrecarga = Máx  
 Retardo de tiempo corto/cortocircuito = Máx. (I<sup>2</sup>t IN o ON)  
 Instantáneo = Máx.

**⚠ PELIGRO**

**PELIGRO DE DESCARGA ELÉCTRICA, EXPLOSIÓN O DESTELLO POR ARQUEO.**

- Utilice equipo de protección personal (EPP) apropiado y siga las prácticas de seguridad en trabajos eléctricos establecidas por su Compañía, consulte la norma 70E de NFPA.
- Solamente el personal eléctrico especializado deberá instalar y prestar servicio de mantenimiento a este equipo.
- Desenergice el equipo antes de realizar cualquier trabajo dentro o fuera de él.
- Siempre utilice un dispositivo detector de tensión nominal adecuado para confirmar la desenergización del equipo.
- Vuelva a colocar todos los dispositivos, las puertas y las cubiertas antes de volver a energizar el equipo.

**El incumplimiento de estas instrucciones podrá causar la muerte o lesiones serias.**

Activación de falla a tierra = Mín.  
Retardo de falla a tierra = 0,2

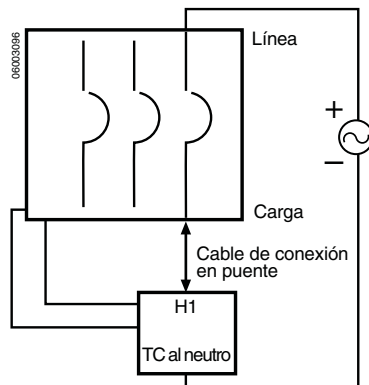
5. Siga el procedimiento de conexión apropiado para la aplicación de prueba.

Para los interruptores sin un transformador de corriente al neutro, vaya al paso 8.

Para los interruptores con la función integral de falla a tierra en un sistema de tres fases y cuatro hilos, se deberá usar un transformador de corriente al neutro (TC) montado en el exterior. El TC al neutro está conectado al interruptor por un cable blindado (se recomienda el uso de un cable de 2,08 mm<sup>2</sup> [14 AWG]).

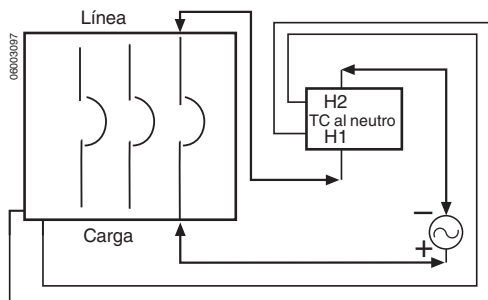
**NOTA:** Al realizar las pruebas, desconecte o desenergice la alimentación de control de 24 Vc.d. en F1 y F2, si está equipado con ellas y, desconecte el equipo de pruebas portátil y de amplias funciones de la unidad de disparo, si está conectado.

**Figura 13: Diagrama de conexión para la prueba de las fases del TC al neutro**



Consulte el boletín de instrucciones incluido con el interruptor para realizar las conexiones al interruptor y TC al neutro.

**Figura 14: Diagrama de conexión para la prueba de tamaño del TC al neutro**



Consulte el boletín de instrucciones incluido con el interruptor para realizar las conexiones al interruptor y TC al neutro.

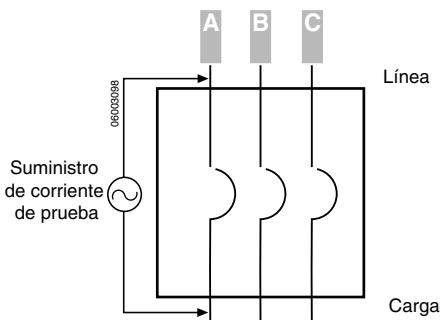
6. Verifique la conexión correcta de las fases del TC al neutro (sistemas de tres fases, cuatro hilos) realizando una prueba sin disparo de la siguiente manera:

- Conecte el interruptor y TC al neutro como se muestra en la figura 13. El puente deberá conectarse de la carga del interruptor a H1 en el TC al neutro (o el lado del TC al neutro que tiene el punto rojo). Conecte el secundario del TC al neutro según las instrucciones en el manual del interruptor o las instrucciones del TC al neutro.
- Aplique corriente por encima del nivel de activación de falla a tierra y sosténgalo durante un período mayor que el del retardo de falla a tierra.
- El interruptor no deberá dispararse. Si el interruptor no se dispara esto es una indicación de que ambos, el TC de fase y el TC al neutro, están correctamente en fase.

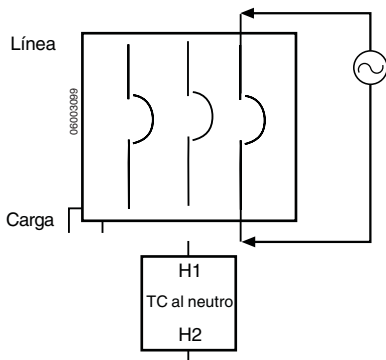
7. Verifique el tamaño correcto del TC al neutro (sistemas de tres fases, cuatro hilos) realizando una prueba de disparo de la siguiente manera:

- Conecte el interruptor y TC al neutro como se muestra en la figura 14. Conecte la terminal de polaridad (+) de la unidad de inyección de alta corriente al lado de carga del interruptor. El puente deberá conectarse de la línea en el interruptor a H1 en el TC al neutro (o el lado del TC al neutro que tiene el punto rojo). Conecte la terminal sin polaridad (-) de la unidad de inyección de alta corriente a H2 en el TC al neutro (en el lado de línea del interruptor). Conecte el secundario del TC al neutro según las instrucciones en el manual del interruptor o las instrucciones del TC al neutro.
- Aplique corriente.
- El interruptor se debe disparar a la mitad del valor de la activación de falla a tierra. Si el interruptor se dispara esto es una indicación de que ambos, el TC de fase y el TC al neutro, tienen la misma razón de vueltas (mismo tamaño).

**Figura 15: Diagrama de conexión de la prueba del interruptor sin TC al neutro**



**Figura 16: Diagrama de conexión de la prueba de activación y retardo de falla a tierra**



8. Verifique la activación y el retardo de falla a tierra realizando una prueba de disparo de la siguiente manera:

- Conecte el interruptor como se muestra en la figura 15 (sistemas de tres fases, tres hilos) o en la figura 16 (sistemas de tres fases, cuatro hilos).

**NOTA:** El método de prueba recomendado para la activación y retardo de falla a tierra es el de "impulso". Este método será el más preciso pero requiere que el equipo de pruebas cuente con un osciloscopio calibrado que almacene imágenes o un ampermetro digital de alta velocidad de muestreo. También se necesitará un temporizador de precisión para monitorear el tiempo de retardo.

- Después de que el circuito ha sido conectado y cerrado correctamente, aplique corriente en impulsos cortos de 10 ciclos aproximadamente. Con el ajuste inicial del disparo esperado al 70%, aumente la corriente de cada impulso sucesivo hasta que el interruptor se dispare.
- Vuelva a cerrar el interruptor y reduzca el nivel de la corriente, vuelva a pulsar para determinar si el nivel de activación encontrado fue excedido.
- Repita los pasos b y c para aislar aun más el punto de activación.
- Para determina el tiempo de retardo, pruebe cada polo del interruptor individualmente en el 150% del ajuste de activación de falla a tierra. Monitoree el tiempo a partir de este punto de activación hasta que se dispare el interruptor para obtener el tiempo de retardo.
- Anote los valores de activación y retardo y compárelos con los resultados de la curva de disparo.

La prueba de falla a tierra también puede ser realizada usando pruebas de inyección secundaria con un equipo de pruebas de amplias funciones. Las pruebas de inyección secundaria no prueban los transformadores de corriente ni las conexiones.

**Tabla 8: Valor máximo de resistencia por polo en micro-ohms**

PowerPact		Micro-ohms (μohm)
Tipo	Valor nominal	
DG, DJ, DL	400	240
	600	140
PG, PJ, PK, PL	250	488
	400	200
	600	114
	800	78
	1000	55
	1200	39
RG, RJ, RK, RL	600	106
	800	81
	1000	63
	1200	53
	1600	50
	2000	38
2500	33	
Masterpact		Micro-ohms (μohm)
Tipo	Removible	Fijo
NT06—NT10 H1/H2/L1	38/72	26.39
NT12—NT16 H1/H2	36	26
NW08 N1	42	19
NW08 H/L	30	13
NW10 N1	42	19
NW10 H/L	30	13
NW12 N1	42	19
NW12 H/L	27	13
NW16 N1	37	19
NW16 H/L	27	13
NW20 H/L	27	13
NW25 H1/H2/H3	19	8
NW 32 H1/H2/H3	13	8
NW40 H1/H2/H3	11	8
NW40b, NW50, NW63	7	5

## Desconexión de la prueba

## Prueba de resistencia de los contactos

Las pruebas de resistencia de los polos del interruptor no son indicadores fiables del funcionamiento del interruptor ya que los valores de resistencia son afectados por varios factores transitorios incluyendo la oxidación en la superficie de los contactos, material extraño entre los contactos así como los métodos de prueba. El inciso 6.4.1 de la norma NEMA AB 4 dice que: La caída de milivolts en los polos de un interruptor puede variar considerablemente debido a la variedad inherente en la resistencia demasiado baja de los conectores y contactos eléctricos. Dichas variaciones no predicen necesariamente un funcionamiento inaceptable, por consiguiente, no deberán utilizarse como criterio único para determinar un funcionamiento aceptable.

La alta resistencia de los polos también puede ser causada por la erosión de los contactos, baja fuerza de los contactos y conexiones sueltas en las terminales. El único factor probablemente presente en un interruptor nuevo es conexiones sueltas en las terminales; como los contactos son nuevos y no han sido expuestos a presión entre ellos, no es posible que se hayan desviado de los ajustes de fábrica. Las conexiones sueltas en las terminales pueden ser corregidas en campo.

Si se realiza una prueba de resistencia a los contactos, es importante hacerlo después de que estos hayan sido acondicionados por las pruebas de inyección primaria instantánea para asegurarse de que los contactos estén libres de películas resistivas, oxidación y material extraño. Si el interruptor ha estado en servicio sin problemas de funcionamiento (sobrecalentamiento o disparos incorrectos), las mediciones de resistencia de los contactos son redundantes y de poco valor.

Square D recomienda el uso de un óhmetro digital de baja resistencia (DLRO, por sus siglas en inglés), una corriente de prueba de 10 A de c.d. para los interruptores de menos de 100 A, y una corriente de 100 A de c.d. para los interruptores de 100 A y de mayor valor nominal. El valor medio (promedio) de las tres lecturas (articulación de la palanca del interruptor entre cada lectura) de cada polo probado deberá ser anotado. Si este valor es igual a o menor que el valor en la tabla 8, el polo es aceptable. Si la lectura es mayor, la causa se deberá averiguar y corregir (si es posible). Póngase en contacto con la oficina local para obtener información.

Al completar la prueba:

- Desconecte todos los cables de prueba del interruptor.
- Realice una inspección visual a las conexiones para determinar si se ha causado daño durante la prueba.
- Para los interruptores removibles, inspeccione, lubrique y ajuste las pinzas de conexión antes de instalar el interruptor, consulte la página 62.
- Vuelva a ajustar el selector de activación de tiempo largo en el valor original que anotó anteriormente.
- Si se utiliza una fuente de alimentación auxiliar en la unidad de disparo Micrologic, vuelva a conectarla.

## Información adicional

Si necesita más información sobre los interruptores marca Square D, consulte el manual de instrucciones correspondiente. Estos manuales contienen las instrucciones de instalación, información de montaje, funciones de seguridad, diagramas de alambreado y cuadros de diagnóstico de problemas para interruptores específicos.

## Sección 5—Pruebas de funcionamiento de los interruptores con disparo electrónico (excepto los Masterpact® e interruptores automáticos PowerPact®)

ESPAÑOL

### Pruebas generales de funcionamiento de los interruptores

#### **⚠ PELIGRO**

##### **PELIGRO DE DESCARGA ELÉCTRICA, EXPLOSIÓN O DESTELLO POR ARQUEO.**

- Utilice equipo de protección personal (EPP) apropiado y siga las prácticas de seguridad en trabajos eléctricos establecidas por su Compañía, consulte la norma 70E de NFPA.
- Solamente el personal eléctrico especializado deberá instalar y prestar servicio de mantenimiento a este equipo.
- Desenergice el equipo antes de realizar cualquier trabajo dentro o fuera de él.
- Siempre utilice un dispositivo detector de tensión nominal adecuado para confirmar la desenergización del equipo.
- Vuelva a colocar todos los dispositivos, las puertas y las cubiertas antes de volver a energizar el equipo.
- No toque las terminales del interruptor ni los conductores de prueba mientras se está probando el interruptor.

**El incumplimiento de estas instrucciones podrá causar la muerte o lesiones serias.**

#### **PRECAUCIÓN**

##### **PELIGRO DE DAÑO AL EQUIPO**

No aplique tensión de prueba a los circuitos de control ni a las terminales de accesorios, ya que se pueden dañar los componentes electrónicos y/o de baja tensión.

**El incumplimiento de esta instrucción podrá causar daño al equipo.**

Realice las pruebas de funcionamiento en el orden que figuran para maximizar la precisión de los resultados.

**NOTA:** Nunca realice la prueba de resistencia de los contactos antes de realizar la prueba de inyección primaria instantánea. La prueba de inyección primaria asegurará que los contactos estén libres de películas resistivas, oxidación y material extraño.

Las siguientes pruebas tienen como objetivo verificar que un interruptor automático esté funcionando correctamente. Las curvas de disparo características son establecidas bajo condiciones de prueba precisas controladas en la fábrica. Si los resultados de la prueba en campo caen fuera de la gama de tolerancia de la curva de disparo característica; con cuidado evalúe las condiciones de la prueba y los métodos utilizados para obtener precisión.

Si durante las pruebas de funcionamiento e inspección los resultados o condiciones son cuestionables, póngase en contacto con la oficina local de ventas. Los interruptores automáticos con accesorios o modificaciones de fábrica pueden requerir atención especial. Si es necesario devolver un interruptor automático a la fábrica, utilice embalaje apropiado para evitar que se dañe durante el transporte. Las instrucciones con respecto al reempaquetado han sido incluidas con el manual de instrucciones del interruptor.

#### **Prueba de resistencia del aislamiento**

Condiciones ambientales severas pueden reducir la fuerza dieléctrica de los interruptores automáticos en caja moldeada. Verifique la resistencia del aislamiento durante las pruebas del sistema eléctrico.

Para verificar la resistencia del aislamiento, realice los siguientes pasos:

1. Desenergice y aisle el interruptor.
2. Limpie el interruptor automático como se indicó anteriormente.
3. Use un megóhmetro de una capacidad de 500 a 1 000 V c.d. y aplique tensión de:
  - a. Cada fase a tierra con el interruptor automático en "ON" (contactos del interruptor cerrados).
  - b. Fase a fase con el interruptor automático en "ON" (contactos del interruptor cerrados).
  - c. Entre cada terminal de línea y carga con el interruptor en "OFF" (contactos del interruptor abiertos).
4. Anote los valores de resistencia. Los valores de resistencia de menos de 1 megohm (1 000 000 ohms) deberán averiguarse.

## Pruebas de los interruptores con disparo electrónico Micrologic®

### PELIGRO

#### PELIGRO DE DAÑO AL EQUIPO

- Los interruptores son pesados y se pueden dañar si se manejan incorrectamente. Proceda con cuidado al manejar y transportar el interruptor para probar el equipo.
- Realice las conexiones en el interruptor cuidadosamente empleando cable de tamaño correcto y métodos de conexión apropiados. No utilice pinzas u otros métodos que puedan marcar o dañar el acabado de los conectores.

**El incumplimiento de estas instrucciones puede causar daño al equipo.**

### Prueba del disparo de tiempo largo

La intensidad de corriente de largo tiempo define el nivel máximo de corriente que podrá llevar el interruptor continuamente. Los interruptores con disparo electrónico Micrologic® activan e inician la temporización cuando una corriente de fase excede  $110\% \pm 10\%$  de la intensidad de la corriente. La función de retardo de largo tiempo permite variaciones de la función de retardo de tiempo inverso del interruptor. Este retardo determina cuánto tiempo el interruptor llevará una sobrecorriente sostenida antes de iniciar una señal de disparo. Las funciones de sobrecorriente de tiempo inverso del interruptor pueden ser probadas empleando una fuente de alimentación de c.a. de baja tensión y alta corriente.

1. Desenergice completamente el interruptor y retírelo del servicio.
2. Antes de la prueba, anote los ajustes de retardo y activación de todas las funciones. Importante: Ajuste la unidad de disparo en los mismos valores después de haber completado el procedimiento de prueba.
3. Si el interruptor con unidad de disparo Micrologic viene con la función integral de protección contra fallas a tierra, consulte los procedimientos de prueba específicos para este tipo de interruptor en la página 82, antes de continuar con la prueba.
4. Use estos ajustes para la prueba:  
Activación de tiempo largo/Intensidad de la corriente = Máx.  
Retardo de tiempo largo/sobrecarga = Mín  
Retardo de tiempo corto/cortocircuito = Máx. ( $I^2t$  IN o ON)  
Instantáneo = Máx.

**NOTA:** El etiquetado y las funciones de la unidad de disparo son especificados por la serie y números de catálogo de los interruptores. La serie y números de catálogo vienen impresos en el interruptor.

5. Conecte el interruptor a una fuente de alimentación de c.a. de baja tensión y alta corriente. Conecte el interruptor a la fuente de alimentación de prueba con un conductor de longitud práctica.
6. Pruebe todas las fases del interruptor individualmente, o en pares, en los interruptores que vienen equipados con la función integral de falla a tierra según los requerimientos en el procedimiento de prueba especial en la página 82.
7. Utilice el método de prueba de “marcha” lenta para determinar el nivel de activación. Aumente lentamente la corriente hasta que destelle continuamente la luz indicadora de activación de tiempo largo, esto definirá el nivel de activación.

**NOTA:** Todos los interruptores con disparo electrónico Micrologic vienen equipados con imágenes térmicas o memoria para los valores de sobrecarga/tiempo largo. La memoria de valores de sobrecarga/tiempo largo puede volverse a iniciar utilizando un módulo apropiado de reinicialización de memoria. Póngase en contacto con la oficina local de ventas para obtener información adicional sobre los módulos de reinicialización de memoria y equipos de prueba. Si no se usa un módulo de reinicialización de memoria, espere 15 minutos como mínimo para que la memoria se borre y vuelva a ponerse en ceros antes de continuar con las pruebas.

8. Para determinar el tiempo de retardo, ajuste la corriente en el 300% del valor de intensidad de la corriente. Monitoree el tiempo a partir de este

punto de activación hasta que se dispare el interruptor para obtener el tiempo de retardo.

9. Anote los valores de activación y retardo y compárelos con la curva de disparo apropiada.

La prueba de disparo de tiempo largo también se puede hacer utilizando el equipo de pruebas de inyección secundaria UTS-3. Sin embargo, estos equipos de pruebas de inyección secundaria no prueban los transformadores de corriente ni las conexiones.

#### Prueba del disparo de tiempo corto

La función de activación de tiempo corto de un interruptor con disparo electrónico Micrologic ajusta el nivel de corriente en el que la temporización de retardo de tiempo corto comienza. Los niveles de activación de tiempo corto son múltiplos del tamaño de sensor x los multiplicadores del calibrador. La función de retardo de tiempo corto determina cuánto tiempo el interruptor esperará antes de iniciar una señal de disparo durante un cortocircuito. Las funciones de tiempo corto del interruptor pueden ser probadas empleando una fuente de alimentación de c.a. de baja tensión y alta corriente.

1. Si va a probar un interruptor que está equipado con un enclavamiento selectivo de zona, siga el procedimiento para anular el enclavamiento, en la página 83. Si va a usar un equipo de pruebas de inyección secundaria para este procedimiento, lea y siga cuidadosamente las instrucciones del equipo de prueba sobre el enclavamiento selectivo de zona.

**NOTA:** Si no se anula el enclavamiento selectivo de zona se producirán disparos sin retardo intencional.

2. Si la unidad de disparo Micrologic viene equipada con la función integral de protección contra fallas a tierra, consulte los procedimientos de prueba específicos para el interruptor con esta función, en la página 82, antes de continuar con la prueba.
3. Los interruptores removibles SE con la función integral de protección contra fallas a tierra necesitan un enchufe adaptador (número de catálogo SEPITK2) cuando son completamente extraídos de su compartimiento. A través de este enchufe adaptador se realizan las conexiones en puente necesarias en el circuito secundario. Estas conexiones en puente se realizan normalmente cuando el interruptor se encuentra en la posición de conectado. Siga las instrucciones incluidas con el enchufe para asegurarse de usarlo correctamente.

4. Use estos ajustes para la prueba:

Activación de tiempo largo/Intensidad de la corriente = Máx.  
Retardo de tiempo largo/sobrecarga = Máx.  
Activación de tiempo corto/cortocircuito = Mín.  
Retardo de tiempo corto/cortocircuito = Mín.  
Instantáneo = Máx.

**NOTA:** Para las unidades de disparo LE serie 1B, ME serie 3, 4, 5, 5A, 5B, NE serie 1, 2, 3, 3A, 3B, PE serie 4, 5, 6, 6A, 6B, y SE serie 2, 3, 3A, 3B, el ajuste mínimo de Tiempo corto/Cortocircuito será de 0,1 I<sup>2</sup>t OUT.

5. Conecte el interruptor a la fuente de alimentación de prueba con un conductor de longitud práctica.
6. En los interruptores sin protección contra fallas a tierra, pruebe todos sus polos individualmente. En los interruptores con la función integral de falla a tierra, pruebe cada polo del interruptor como se indica en el procedimiento de pruebas en la página 82.



7. Prueba del activación de tiempo corto

Una vez que el interruptor esté correctamente conectado, inyecte la fase bajo prueba con un valor de corriente un poco más bajo que el valor mínimo de activación indicado por la curva de disparo. La duración de la corriente de prueba debe exceder el tiempo de retardo esperado (determinado por la curva de disparo). El interruptor no deberá dispararse. Repita la prueba utilizando el valor máximo de activación indicado por la curva de disparo. El interruptor deberá dispararse, lo cual indica que el nivel de activación es aceptable. Si el interruptor no se dispara dentro del tiempo esperado, termine la prueba para evitar daño térmico al interruptor. Si desea obtener un valor de activación preciso, repita la prueba en los niveles de corriente entre el máximo y mínimo. El valor de corriente más bajo en el que se dispara el interruptor es el valor de activación.

8. Prueba del retardo de tiempo corto

Después de que el interruptor ha sido conectado correctamente, aplique corriente al 150% del valor nominal de activación de tiempo corto. El interruptor deberá dispararse dentro de los límites de tiempo definidos por la curva de disparo. Si el interruptor no se dispara dentro de los límites de tiempo esperado, desconecte la fuente de alimentación para evitar daño térmico al interruptor.

**NOTA:** Todos los interruptores con disparo electrónico Micrologic vienen equipados con imágenes térmicas o memoria para los valores de sobrecarga/tiempo largo. Los impulsos de sobrecorriente utilizados para probar el retardo y activación de tiempo corto deberán agregarse a la memoria. Si el interruptor se dispara en un valor inferior a la corriente esperada, después de varios impulsos de sobrecorriente, es posible que se esté disparando con la función de tiempo largo. La memoria de valores de sobrecarga/tiempo largo puede volverse a iniciar utilizando un módulo apropiado de reinicialización de memoria. Si no se usa un módulo de reinicialización de memoria, espere 15 minutos como mínimo para que la memoria se borre y vuelva a ponerse en ceros antes de continuar con las pruebas.

La prueba de disparo de tiempo corto también se puede hacer utilizando el equipo de pruebas de inyección secundaria UTS-3. Sin embargo, estos equipos de pruebas de inyección secundaria no prueban los transformadores de corriente ni las conexiones.

**Prueba del disparo instantáneo**

La función de disparo instantáneo de un interruptor con disparo electrónico Micrologic determina el nivel de corriente en el que el interruptor se dispara sin retardo intencional. La función de disparo instantáneo del interruptor puede ser probada empleando una fuente de alimentación de c.a. de baja tensión y alta corriente.

1. Si el interruptor con unidad de disparo Micrologic viene equipada con la función integral de protección contra fallas a tierra, consulte los procedimientos de prueba específicos para el interruptor con esta función, en la página 82, antes de continuar con la prueba.
2. En los interruptores sin protección contra fallas a tierra, pruebe todos sus polos individualmente. En los interruptores con la función integral de falla a tierra, pruebe cada polo del interruptor como se indica en el procedimiento de pruebas en la página 82.
3. Después de que el interruptor automático ha sido conectado y ajustado correctamente, aplique corriente en impulsos de 10 ciclos aproximadamente. Con el ajuste inicial del disparo esperado al 70%,

aumente la corriente de cada impulso sucesivo hasta que el interruptor se dispare.

**NOTA:** Todos los interruptores con disparo electrónico Micrologic vienen equipados con imágenes térmicas o memoria para los valores de sobrecarga/tiempo largo. Los impulsos de sobrecorriente utilizados para probar el retardo y activación de tiempo corto deberán agregarse a la memoria. Si el interruptor se dispara en un valor inferior a la corriente esperada, después de varios impulsos de sobrecorriente, es posible que se esté disparando con la función de tiempo largo. La memoria de valores de sobrecarga/tiempo largo puede volverse a iniciar utilizando un módulo apropiado de reinicialización de memoria. Si no se usa un módulo de reinicialización de memoria, espere 15 minutos como mínimo para que la memoria se borre y vuelva a ponerse en ceros antes de continuar con las pruebas.

4. Compare el valor de activación con la curva de disparo del interruptor que se está probando.

La prueba de disparo instantáneo también se puede hacer utilizando el equipo de pruebas de inyección secundaria UTS-3. Sin embargo, estos equipos de pruebas de inyección secundaria no prueban los transformadores de corriente ni las conexiones.

### Interruptores con protección contra fallas a tierra integral

Los interruptores con disparo electrónico Micrologic con la función integral de protección contra fallas a tierra requieren atención especial al probar las funciones de sobrecarga y cortocircuito. Las pruebas de inyección primaria de un polo para las funciones de sobrecorriente de tiempo inverso, tiempo corto e instantánea provocarán disparos de falla a tierra debido al trayecto de la corriente de retorno que no pasa por el interruptor. Para evitar esto, emplee el método de bucle para los interruptores con unidad de disparo Micrologic con la función integral de falla a tierra.

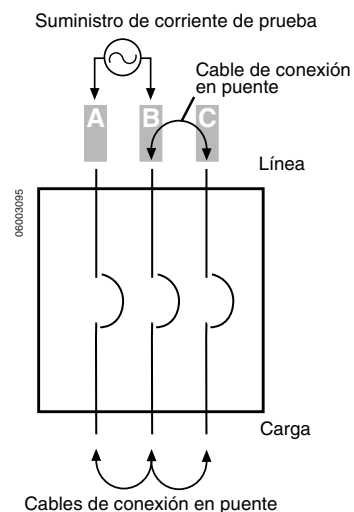
#### Método de bucle:

Al poner en bucle la corriente como se muestra en la figura 17, se equilibra la cantidad de corriente que entra y sale del interruptor. Esto, de hecho, elimina los disparos por falla a tierra al mantener equilibrado el transformador de falla a tierra interno. La verificación de polos sucesivos se puede llevar a cabo variando las conexiones (bucle AC, AB, BC).

#### Excepciones:

En los interruptores fijos SE, conecte las terminales 16, 17, 18 y 19 juntas para anular la falla a tierra con el fin de realizar la prueba. En los interruptores removibles SE, utilice el enchufe adaptador SEPITK2 para realizar las conexiones necesarias.

**Figura 17: Procedimientos especiales de prueba de sobrecarga y cortocircuito**



### PROCEDIMIENTO PARA LOS INTERRUPTORES QUE SE UTILIZAN CON LOS SISTEMAS POWERLOGIC®

Los interruptores LE, ME, NE, PE y SE conectados a un sistema Powerlogic® se conectan a través de un adaptador de comunicaciones (número de catálogo CIM3F). Si el interruptor se prueba con el método de

**Procedimiento para anular el enclavamiento selectivo de zona**

inyección primaria, el sistema Powerlogic puede permanecer conectado al interruptor durante la prueba sin afectar los resultados.

**NOTA:** La prueba de un interruptor conectado a un sistema Powerlogic hace que el sistema reaccione como si el interruptor mismo estuviese experimentando las fallas reales.

Al realizar la prueba de inyección secundaria utilizando el equipo de pruebas UTS3, el sistema Powerlogic debe ser desconectado del interruptor. Esto se lleva a cabo desconectando el enchufe de 4 espigas en el adaptador. El equipo de pruebas indicará si falló la prueba cuando el sistema Powerlogic se ha dejado conectado durante la prueba. Después de la prueba, vuelva a conectar el enchufe de 4 espigas al adaptador. Siga las instrucciones correspondientes a la versión de software Powerlogic que está instalada en el sistema para verificar el restablecimiento de comunicación con el interruptor.

El enclavamiento selectivo de zona es un método de comunicación entre los dispositivos de protección contra sobrecorriente de disparo electrónico. El enclavamiento selectivo de zona permite a los dispositivos enclavados, en diferentes niveles, funcionar juntos como un sistema en el que un cortocircuito o falla a tierra es aislada y eliminada con un tiempo de retardo mínimo. El objetivo de este enclavamiento es verificar las funciones de tiempo de retardo por falla a tierra y cortocircuito del interruptor específico. Esto se lleva a cabo desconectando los cables de restricción e instalando los puentes de conexión necesarios. Esto auto-restringe el interruptor que se está probando. Etiquete los cables de restricción antes de desconectarlos.

La tabla 9 delinea las instrucciones de los cables de auto-restricción (puentes) para cada uno de los interruptores equipados con unidades de disparo Micrologic. Utilice cables de tamaño 1–2,1 mm<sup>2</sup> (14–18 AWG).

**Tabla 9: Ajustes de auto-restricción**

Interruptor tipo/Unidad de disparo serie	Función (ST o GF)	Conecte la terminal (ENT restricción)	A la terminal (SAL restricción)
LE 1B	Tiempo corto (ST)	#5	#6
LE 1B	Falla a tierra (GF)	#7	#8
ME 3	Ambos	Conductor violeta	Conductor violeta
ME 4, 5, 5A, 5B	Tiempo corto (ST)	#5	#6
ME 4, 5, 5A, 5B	Falla a tierra (GF)	#7	#8
NE 1	Ambos	#6	#7
NE 2, 3, 3A, 3B	Tiempo corto (ST)	#5	#6
NE 2, 3, 3A, 3B	Falla a tierra (GF)	#7	#8
PE 4	Ambos	#6	#7
PE 5, 6, 6A, 6B	Tiempo corto (ST)	#5	#6
PE 5, 6, 6A, 6B	Falla a tierra (GF)	#7	#8
SE 2, 3, 3A, 3B (removible y fijo)	Ambos	#23	#24
SE 2, 3, 3A, 3B (removible y fijo)	Falla a tierra GF)	#20	#21
Removible SE (Completamente desmontado de su compartimiento)	Ambos	Utilice el equipo SEPTIK2 (consulte la página 88)	Utilice el equipo SEPTIK2 (consulte la página 88)

**NOTA:** Si se han instalado los puentes de conexión de auto-restricción para anular el enclavamiento selectivo de zona con el fin de realizar las pruebas, retire los puentes una vez que haya completado la prueba.

## Pruebas de indicación y protección contra fallas a tierra solamente para los sistemas radiales

### **⚠ PELIGRO**

#### **PELIGRO DE DESCARGA ELÉCTRICA, EXPLOSIÓN O DESTELLO POR ARQUEO.**

- Utilice equipo de protección personal (EPP) apropiado y siga las prácticas de seguridad en trabajos eléctricos establecidas por su Compañía, consulte la norma 70E de NFPA.
- Solamente el personal eléctrico especializado deberá instalar y prestar servicio de mantenimiento a este equipo.
- Desenergice el equipo antes de realizar cualquier trabajo dentro o fuera de él.
- Siempre utilice un dispositivo detector de tensión nominal adecuado para confirmar la desenergización del equipo.
- Vuelva a colocar todos los dispositivos, las puertas y las cubiertas antes de volver a energizar el equipo.

**El incumplimiento de estas instrucciones podrá causar la muerte o lesiones serias.**

Cualquier cable de restricción que haya sido desconectado para realizar la prueba deberá volverse a conectar en este momento.

### **Prueba de disparo por falla a tierra**

La función de falla a tierra de un interruptor con disparo electrónico Micrologic proporciona protección contra fallas a tierra al equipo con valores de retardo y activación ajustables. La función de retardo de falla a tierra determina cuánto tiempo esperará el interruptor antes de iniciar una señal de disparo durante una falla a tierra. Las funciones de falla a tierra del interruptor pueden ser probadas empleando una fuente de alimentación de c.a. de baja tensión y alta corriente.

Los interruptores removibles SE con la función integral de protección contra fallas a tierra necesitan un enchufe adaptador (número de catálogo SEPITK2 de Square D) cuando son completamente extraídos de su compartimiento. A través de este enchufe adaptador se realizan las conexiones en puente necesarias en el circuito secundario. Estas conexiones en puente se realizan normalmente cuando el interruptor se encuentra en la posición de conectado. Siga las instrucciones incluidas con el enchufe adaptador para asegurarse de usarlo correctamente.

#### **Procedimiento de prueba**

1. Desenergice completamente el interruptor y retírelo del servicio.
2. Antes de la prueba, anote los ajustes de retardo y activación de todas las funciones. Ajuste la unidad de disparo en los mismos valores después de haber completado el procedimiento de prueba.
3. Si va a probar un interruptor que está equipado con un enclavamiento selectivo de zona, siga el procedimiento para anular el enclavamiento, en la página 83. Si va a usar un equipo de pruebas de inyección secundaria para este procedimiento, lea y siga cuidadosamente las instrucciones del equipo de prueba sobre el enclavamiento selectivo de zona.

**NOTA:** Si no se anula el enclavamiento selectivo de zona se producirán inexactitudes en el tiempo de disparo.

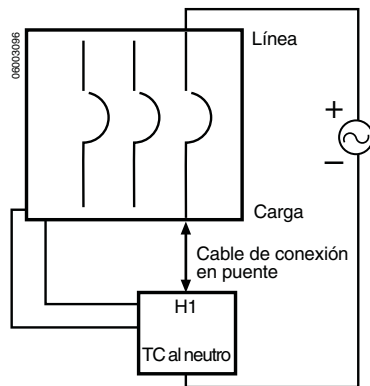
4. Use estos ajustes para la prueba:  
Activación de tiempo largo/Intensidad de la corriente = Máx.  
Retardo de tiempo largo/sobrecarga = Máx  
Retardo de tiempo corto/cortocircuito = Máx. ( $I^2t$  IN o ON)  
Instantáneo = Máx.  
Activación de falla a tierra = Mín.  
Retardo de falla a tierra = Mín. ( $I^2t$  OUT de OFF)

**NOTA:** No utilice el ajuste INSTANT para el retardo de falla a tierra. En los interruptores SE serie 2, utilice el ajuste "2" para el retardo de falla a tierra.

5. Siga el procedimiento de conexión apropiado para la aplicación de prueba.  
Para los interruptores sin un transformador de corriente al neutro, vaya al paso 8.

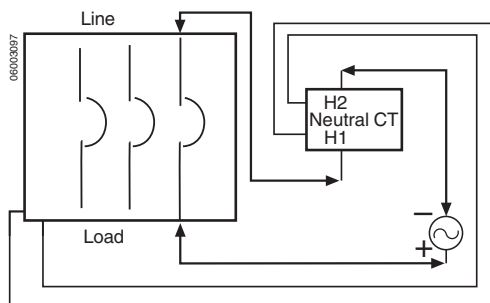
Para los interruptores con la función integral de falla a tierra en un sistema de tres fases y cuatro hilos, se deberá usar un transformador de corriente al neutro (TC) montado en el exterior. El TC al neutro está conectado al interruptor por un cable blindado (se remienda el uso de un cable de 2,08 mm<sup>2</sup> [14 AWG]).

**Figura 18: Diagrama de conexión para la prueba de las fases del TC al neutro**



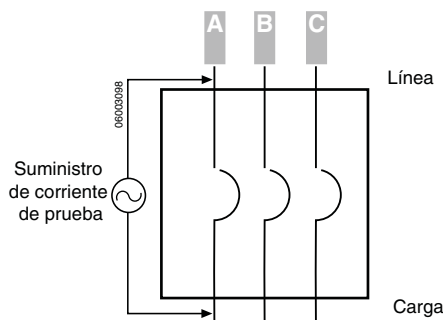
Consulte el boletín de instrucciones incluido con el interruptor para realizar las conexiones al interruptor y TC al neutro.

**Figura 19: Diagrama de conexión para la prueba de tamaño del TC al neutro**



Consulte el boletín de instrucciones incluido con el interruptor para realizar las conexiones al interruptor y TC al neutro.

**Figura 20: Diagrama de conexión de la prueba del interruptor sin TC al neutro**



6. Verifique la conexión correcta de las fases del TC al neutro (sistemas de tres fases, cuatro hilos) realizando una prueba sin disparo de la siguiente manera:
  - a. Conecte el interruptor y TC al neutro como se muestra en la figura 18. El puente deberá conectarse de la carga del interruptor a H1 en el TC al neutro (o el lado del TC al neutro que tiene el punto rojo). Conecte el secundario del TC al neutro según las instrucciones en el manual del interruptor o las instrucciones del TC al neutro.
  - b. Aplique corriente por encima del nivel de activación de falla a tierra y sosténgalo durante un período mayor que el del retardo de falla a tierra.
  - c. El interruptor no deberá dispararse. Si el interruptor no se dispara esto es una indicación de que ambos, el TC de fase y el TC al neutro, están correctamente en fase.

7. Verifique el tamaño correcto del TC al neutro (sistemas de tres fases, cuatro hilos) realizando una prueba de disparo de la siguiente manera:
  - a. Conecte el interruptor y TC al neutro como se muestra en la figura 19. Conecte la terminal de polaridad (+) de la unidad de inyección de alta corriente al lado de carga del interruptor. El puente deberá conectarse de la línea en el interruptor a H1 en el TC al neutro (o el lado del TC al neutro que tiene el punto rojo). Conecte la terminal sin polaridad (-) de la unidad de inyección de alta corriente a H2 en el TC al neutro (en el lado de línea del interruptor). Conecte el secundario del TC al neutro según las instrucciones en el manual del interruptor o las instrucciones del TC al neutro.
  - b. Aplique corriente.
  - c. El interruptor se debe disparar a la mitad del valor de la activación de falla a tierra. Si el interruptor se dispara esto es una indicación de que ambos, el TC de fase y el TC al neutro, tienen la misma razón de vueltas (mismo tamaño).

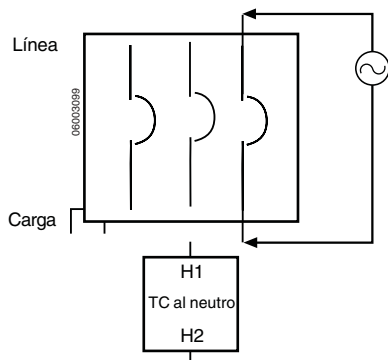
8. Verifique la activación y el retardo de falla a tierra realizando una prueba de disparo de la siguiente manera:
  - a. Conecte el interruptor como se muestra en la figura 4 (sistemas de tres fases, tres hilos) o en la figura 5 (sistemas de tres fases, cuatro hilos).

**NOTA:** El método de prueba recomendado para la activación y retardo de falla a tierra es el de "impulso". Este método será el más preciso pero requiere que el equipo de pruebas cuente con un osciloscopio calibrado que almacene imágenes o un amperímetro digital de alta velocidad de muestreo. También se necesitará un temporizador de precisión para monitorear el tiempo de retardo.

- b. Después de que el circuito ha sido conectado y cerrado correctamente, aplique corriente en impulsos cortos de 10 ciclos aproximadamente. Un ajuste inicial del disparo esperado al 70%, aumenta la corriente de cada impulso sucesivo hasta que el interruptor se dispara.

**NOTA:** En los interruptores SE serie 2, se deberá aplicar corriente durante un mínimo de dos segundos.

**Figura 21: Diagrama de conexión de la prueba de activación y retardo de falla a tierra**



- c. Vuelva a cerrar el interruptor y reduzca el nivel de la corriente, vuelva a pulsar para determinar si el nivel de activación encontrado fue excedido.
- d. Repita los pasos b y c para aislar aun más el punto de activación.
- e. Para determina el tiempo de retardo, pruebe cada polo del interruptor individualmente en el 150% del ajuste de activación de falla a tierra. Monitoree el tiempo a partir de este punto de activación hasta que se dispare el interruptor para obtener el tiempo de retardo.
- f. Anote los valores de activación y retardo y compárelos con los resultados de la curva de disparo.

La prueba de falla a tierra también se puede hacer utilizando el equipo de pruebas de inyección secundaria UTS-3. Sin embargo, estos equipos de pruebas de inyección secundaria no prueban los transformadores de corriente ni las conexiones.

#### **Prueba para la alarma de falla a tierra solamente: Interruptores LE, ME, NE, PE y SE**

Todos los interruptores LE, ME, NE, PE y SE con la función de alarma de falla a tierra vienen equipados con la función integral de prueba de falla a tierra. Se necesita una fuente de alimentación de 120 V para hacer funcionar la función integral de prueba. Los circuitos de prueba simulan una falla a tierra cuando se oprime el botón de prueba situado en el frente del interruptor. El amperímetro en el interruptor indicará un valor de corriente mientras se oprima el botón de prueba.

**NOTA:** La alarma de falla a tierra no disparará ni indicará un disparo cuando se oprime el botón de prueba del interruptor.

Cuando se conecta a un sistema Powerlogic a través de un adaptador de comunicaciones (número de catálogo CIM3F de Square D), el sistema Powerlogic indicará un valor de corriente de falla a tierra mientras se oprima el botón de prueba. El sistema Powerlogic indica una condición de alarma si se oprime el botón de prueba durante dos segundos. El interruptor tarda un máximo de un segundo para comunicar una condición de alarma. El sistema Powerlogic actualiza la condición solamente con la frecuencia de tiempo de exploración definida en el sistema.

Las instrucciones para la prueba de disparo por falla a tierra, página 84, pueden ser utilizadas en los interruptores equipados con alarma de falla a tierra solamente excepto:

- A. Interruptores con alarma de falla a tierra solamente que no estén equipados con la función de retardo o disparo. Por consiguiente, el equipo de pruebas universal (UTS-3) no mostrará ningún valor.
- B. El enclavamiento selectivo de zona de falla a tierra no está disponible en los interruptores con alarma de falla a tierra solamente.
- C. Si se usa el método de impulso, la señal de impulso deberá durar lo suficiente para que el sistema Powerlogic reconozca la condición de alarma.

Al realizar la prueba de inyección secundaria utilizando el equipo de pruebas UTS3, el sistema Powerlogic debe ser desconectado del interruptor. Para desconectar el interruptor del sistema Powerlogic, desconecte el enchufe de 4 espigas en el adaptador. El equipo de pruebas indicará que el interruptor falló la prueba cuando el sistema Powerlogic permanece conectado durante la prueba. Después de la prueba, vuelva a conectar el enchufe de 4 espigas al adaptador. Siga las instrucciones correspondientes a la versión de software Powerlogic que está instalada en el sistema para verificar el restablecimiento de comunicación con el interruptor.

**Tabla 10: Valor máximo de resistencia por polo en micro-ohms**

Interruptor automático		Micro-ohms (μohm)	Interruptor automático		Micro-ohms (μohm)
Tipo	Valor nom.		Tipo	Valor nom.	
LE, LX	300	477	NE, NX	600	112
	350	416		700	106
	400	250		800	85
	450	310		900	81
	500	286		1 000	66
	600	169		1 200	56
ME, MX	125	1 600	PE, PX	600	106
	150	1 500		700	100
	175	914		800	81
	200	725		1 000	63
	225	593		1 200	53
	250	488		1 400	49
	300	344	1 600	41	
	350	261	1 800	35	
	400	200	2 000	31	
	450	146	2 500	33	
	500	114	PE, PX	600	106
	600	94		700	100
700	78	800		81	
800	68	1 000		63	
			1 200	53	

**NOTA:** La prueba de un interruptor conectado a un sistema Powerlogic hace que el sistema reaccione como si el interruptor mismo estuviese experimentando las fallas reales.

**Prueba de resistencia de los contactos**

Las pruebas de resistencia de los polos del interruptor automático no son indicadores fiables del funcionamiento del interruptor ya que los valores de resistencia son afectados por varios factores transitorios incluyendo la oxidación en la superficie de los contactos, material extraño entre los contactos así como los métodos de prueba. El inciso 6.4.1 de la norma NEMA AB 4 dice que: La caída de milivolts en los polos de un interruptor automático puede variar considerablemente debido a la variedad inherente en la resistencia demasiado baja de los conectores y contactos eléctricos. Dichas variaciones no predicen necesariamente un funcionamiento inaceptable, por consiguiente, no deberán utilizarse como criterio único para determinar un funcionamiento aceptable.

La alta resistencia de los polos también puede ser causada por la erosión de los contactos, baja fuerza de los contactos y conexiones sueltas en las terminales. El único factor probablemente presente en un interruptor nuevo es conexiones sueltas en las terminales; como los contactos son nuevos y no han sido expuestos a presión entre ellos, no es posible que se hayan desviado de los ajustes de fábrica. Las conexiones sueltas en las terminales pueden ser corregidas en campo.

Si se realiza una prueba de resistencia a los contactos, es importante hacerlo después de que estos hayan sido acondicionados por las pruebas de inyección primaria instantánea para asegurarse de que los contactos estén libres de películas resistivas, oxidación y material extraño. Si el interruptor automático ha estado en servicio sin problemas de funcionamiento (sobrecalentamiento o disparos incorrectos), las mediciones de resistencia de los contactos son redundantes y de poco valor.

Square D recomienda el uso de un óhmetro digital de baja resistencia (DLRO, por sus siglas en inglés), una corriente de prueba de 10 A de c.d. para los interruptores de menos de 100 A, y una corriente de 100 A de c.d. para los interruptores de 100 A y de mayor valor nominal. El valor medio (promedio) de las tres lecturas (articulación de la palanca del interruptor entre cada lectura) de cada polo probado deberá ser anotado. Si este valor es igual a o menor que el valor en la tabla 10, el polo es aceptable. Si la lectura es mayor, la causa se deberá averiguar y corregir (si es posible). Póngase en contacto con la oficina local para obtener información.

**Desconexión de la prueba**

Al completar la prueba:

- Desconecte todos los cables de prueba del interruptor.
- Realice una inspección visual a las conexiones para determinar si se ha causado daño durante la prueba.
- Vuelva a ajustar el selector de activación de tiempo largo en el valor original que anotó anteriormente.
- Si se utiliza una fuente de alimentación auxiliar en la unidad de disparo Micrologic, vuelva a conectarla.

**Información adicional**

Si necesita más información sobre los interruptores automáticos marca Square D, consulte el manual de instrucciones correspondiente. Estos manuales contienen las instrucciones de instalación, información de montaje, funciones de seguridad, diagramas de alambrado y cuadros de diagnóstico de problemas para interruptores automáticos específicos.

## Sección 6—Equipo de pruebas disponible

### Equipo de pruebas para los interruptores marcos L, M, N, P y S con unidades de disparo Micrologic®

#### Equipo de medición de corriente

Los medidores de corriente (números de catálogo ALAM y ALAMP) ofrecen funciones de medición de corriente en tiempo real y, si el interruptor se dispara, estos medidores indican el tipo de disparo:

- Sobrecarga
- Cortocircuito
- Falla a tierra

El medidor de corriente proporciona un medio sencillo de diagnosticar problemas provocados por un disparo, y viene instalado en los interruptores que incluyen todas las funciones (LE, ME, NE, PE y SE). El medidor de corriente proporciona asistencia en línea sobre:

- Identificación de fases sobrecargadas o desequilibradas
- Definición del nivel de la corriente de falla a tierra que circula en el circuito.

El equipo ALAM se usa en todos los interruptores marcos L, M, N y S con unidad de disparo Micrologic®. El equipo ALAMP se usa en todos los interruptores marco P con unidad de disparo Micrologic, y su diferencia se debe a la orientación de la cavidad de la unidad de disparo.

#### Módulo de reinicialización de memoria

Los módulos de reinicialización de memoria (números de catálogo MTMB, MTM2 y MTM3) se usan para reiniciar los valores de la memoria de tiempo largo en los interruptores con unidad de disparo Micrologic. Esto permite realizar la prueba de inyección primaria del interruptor de manera más rápida.

- El módulo MTMB se usa en las unidades de disparo Micrologic serie B.
- El módulo MTM3 se usa en las unidades de disparo Micrologic serie 3.
- El módulo MTM2 se usa en los interruptores SE serie 2 con unidades de disparo.

#### Equipo de pruebas de inyección primaria

Los equipos de enchufe adaptador (número de catálogo SEPITK1 y SEPITK2) emplean puentes de conexión en ciertas terminales para conectar correctamente los cables de detección secundaria en los interruptores removibles SE. El equipo de pruebas SEPITK1 se usa en los interruptores SED serie 1; el equipo de pruebas SEPITK2 se usa con los interruptores SED serie 2 y posteriores.

#### Equipo de pruebas universal

El equipo de pruebas universal opcional (número de catálogo UST3) es un sistema basado en microprocesador y se usa para probar los interruptores LE, LX, LXI, ME, MX, NE, NX, PE, PX y SE con unidades de disparo Micrologic. Este equipo probará completamente cada función de la unidad de disparo. El equipo de pruebas universal es un probador de inyección secundaria y no toma en consideración las tolerancias del transformador de corriente.



## Equipo de pruebas disponible para los interruptores Masterpact® y PowerPact® con unidades de disparo Micrologic®

El equipo UTS-3 incluye:

- El módulo de pruebas para las unidades de disparo Micrologic estándar y de amplias funciones, serie B.
- Un módulo de auto-prueba
- Un cordón para la alimentación
- Un cable de cinta
- Un manual de instrucciones

### Equipo de pruebas de amplias funciones

El equipo de pruebas de amplias funciones es un sistema basado en microprocesador y se usa para probar los interruptores Compact® NSJ, Masterpact® y PowerPact® con unidades de disparo Micrologic. El equipo de pruebas de amplias funciones es un probador de inyección secundaria y no prueba los transformadores de corriente ni las conexiones.

El equipo de pruebas de amplias funciones ha sido diseñado como una unidad de pruebas independiente, sin embargo, también se puede usar junto con una computadora personal. El equipo de pruebas de amplias funciones por sí solo realiza las siguientes pruebas:

- Verificar las funciones de protección (LSIG)
- Cumplir con la curva de disparo
- Pruebas eléctricas y mecánicas del sistema de disparo
- Pruebas del enclavamiento selectivo de zona
- Inhibir la protección contra fallas a tierra utilizada durante la prueba de inyección primaria
- Inhibir las imágenes térmicas utilizadas durante la prueba de inyección primaria
- Fuente de alimentación de control que suministra a la unidad de disparo para energizar las pantallas

### Equipo de pruebas portátil

El equipo de pruebas portátil es una unidad pequeña energizada por pilas. Éste ha sido diseñado para proporcionar pruebas de inyección secundaria prácticas a los interruptores Compact NSJ, Masterpact y PowerPact con unidades de disparo Micrologic. El equipo de pruebas portátil es energizado con pilas de 9 V y puede usarse para lo siguiente:

- Verificar el funcionamiento de la unidad de disparo disparando el interruptor con una señal de inyección secundaria
- Fuente de alimentación de control que suministra a la unidad de disparo para energizar las pantallas
- Inhibir la imagen térmica durante las pruebas de inyección primaria
- Inhibir la falla a tierra durante las pruebas de inyección primaria
- Pruebas del enclavamiento selectivo de zona<sup>1</sup>

<sup>1</sup> Solamente proporciona alimentación a la unidad de disparo para indicar la recepción de una señal de ZSI. No iniciará el comando para enviar una señal de restricción ZSI.

**Guía de servicio de mantenimiento y pruebas en campo**  
**Boletín de instrucciones**

Importado en México por:  
**Schneider S.A.**

3600 Sixth St. SW  
Cedar Rapids, IA 52404 USA  
Tel. 55-5804-5000  
[www.schneider-electric.com.mx](http://www.schneider-electric.com.mx)

Solamente el personal especializado deberá instalar, hacer funcionar y prestar servicios de mantenimiento al equipo eléctrico. Schneider Electric no asume responsabilidad alguna por las consecuencias emergentes de la utilización de este material.

48049-900-02 © 2008 Schneider Electric Reservados todos los derechos  
ECN 701D Reemplaza 48049-900-01 646D 04/2008

# Guide d'essai sur place et d'entretien

pour disjoncteurs à boîtier moulé  
thermomagnétiques et à  
déclenchement électronique  
Micrologic®

**Classe 0600**

Directives d'utilisation

48049-900-02

À conserver pour usage ultérieur.



## Catégories de dangers et symboles spéciaux



Lisez soigneusement ces directives et examinez l'appareillage afin de vous familiariser avec lui avant son installation, son fonctionnement ou son entretien. Les messages spéciaux qui suivent peuvent apparaître dans ce document ou sur l'appareillage. Ils vous avertissent de dangers potentiels ou attirent votre attention sur des renseignements pouvant éclaircir ou simplifier une procédure.

L'ajout de l'un ou l'autre des symboles à une étiquette de sécurité " Danger " ou " Avertissement " vous indique qu'un danger électrique existe et qu'il pourra y avoir des blessures corporelles si les directives ne sont pas suivies.

Ceci est le symbole d'une alerte de sécurité. Il sert à vous avertir d'un danger potentiel de blessures corporelles. Respectez toutes les consignes de sécurité accompagnant ce symbole pour éviter toute situation potentielle de blessure ou de mort.

### **⚠ DANGER**

**DANGER** indique une situation de danger imminent qui, si elle n'est pas évitée, **entraînera** la mort ou des blessures graves.

### **⚠ WARNING**

**AVERTISSEMENT** indique une situation de danger potentiel qui, si elle n'est pas évitée, **peut entraîner** la mort ou des blessures graves.

### **⚠ CAUTION**

**ATTENTION** indique une situation de danger potentiel qui, si elle n'est pas évitée, **peut entraîner** des blessures mineures ou modérées.

### **CAUTION**

**ATTENTION**, utilisé sans le symbole d'alerte de sécurité, indique une situation de danger potentiel qui, si elle n'est pas évitée, **peut entraîner** des dommages matériels.

**REMARQUE** : Fournit des renseignements complémentaires pour clarifier ou simplifier une procédure.

## Veillez noter

Seul un personnel qualifié doit effectuer l'installation, l'utilisation, l'entretien et la maintenance du matériel électrique. Schneider Electric n'assume aucune responsabilité des conséquences éventuelles découlant de l'utilisation de cette documentation.

<b>Section 1—Introduction</b> .....	95
Inspection et vérification .....	95
Inexactitude des vérifications de disjoncteurs thermomagnétiques .....	96
Mesures de sécurité .....	96
<b>Section 2—Inspection visuelle et entretien préventif</b> .....	97
Boîtier moulé des disjoncteurs .....	97
Procédures .....	97
Inspections visuelles pendant le fonctionnement .....	97
Inspections d'entretien .....	98
Inspection thermographique .....	99
Renseignements supplémentaires .....	99
<b>Section 3—Essais de performance des disjoncteurs thermomagnétiques</b> .....	100
Essais généraux de performance des disjoncteurs .....	100
Vérification sur place des disjoncteurs spéciaux de 500 Vcc .....	100
Vérification sur place des disjoncteurs à circuit thermomagnétique ca .....	101
Essais de performance .....	102
Essai de résistance d'isolation .....	102
Essais de performance des disjoncteurs thermomagnétiques .....	103
Retirer les raccords d'essai .....	106
Renseignements supplémentaires .....	106
<b>Section 4—Essais de performance des disjoncteurs Masterpact® et PowerPact®</b> .....	107
Inspection des groupes de connecteurs (disjoncteurs débrochables Masterpact uniquement) .....	107
Remplacement des groupes de connecteurs .....	108
Réglage des groupes de connecteurs .....	112
Lubrification des groupes de connecteurs .....	112
Lubrification des lames de connexion du berceau .....	113
Installation d'un disjoncteur de la position de débrochage à la position déconnectée .....	113
Essais de performance .....	114
Essais diélectriques des disjoncteurs Masterpact avec déclencheurs Micrologic® P et H .....	115
Vérifications d'un déclencheur Micrologic .....	116
Procédure de neutralisation d'un interverrouillage sélectif de zone .....	116
Essai d'injection secondaire .....	117
Essai d'injection primaire .....	117
Disjoncteurs avec protection intégrale contre les défauts à la terre .....	119
Protection contre les défauts à la terre et essais d'indication seulement pour les systèmes radiaux .....	119
Retirer les raccords d'essai .....	122
Renseignements supplémentaires .....	122
<b>Section 5—Essais de performance des disjoncteurs à déclenchement électronique (sauf Masterpact® et PowerPact®)</b> .....	123
Essais de performance des disjoncteurs en général .....	123
Essais des disjoncteurs à déclenchement électronique Micrologic® .....	124
Disjoncteurs avec protection intégrale contre les défauts à la terre .....	127
Procédure pour les disjoncteurs utilisés avec les systèmes Powerlogic® .....	128
Procédure de neutralisation de l'interverrouillage sélectif de zone .....	128

---

Protection contre les défauts à la terre et essais d'indication seulement pour les systèmes radiaux .....	129
Retirer les raccordements d'essai .....	132
Renseignements supplémentaires .....	132
<b>Section 6—Appareils d'essai disponibles .....</b>	<b>133</b>
Appareils d'essai pour disjoncteurs à châssis L, M, N, P et S avec déclencheurs Micrologic® .....	133
Kit ampèremètre/Indicateur de déclenchement .....	133
Module de remise à zéro de la mémoire .....	133
Trousse d'essai d'injection primaire .....	133
Appareil universel d'essai .....	133
Appareils d'essai disponibles pour disjoncteurs Masterpact® et PowerPact® avec déclencheurs électroniques Micrologic .....	134
Trousse d'essai des fonctions complètes .....	134
Trousse d'essai portable .....	134

## Section 1—Introduction

### Inspection et vérification

La vie utile des disjoncteurs à boîtier moulé dépend d'une application appropriée, d'une installation correcte, des conditions environnementales et d'un entretien préventif. Deux niveaux d'investigation peuvent assurer qu'un disjoncteur est capable de fonctionner correctement :

1. Inspection et entretien préventif
2. Essais de performance et de vérification.

Pour assurer une performance continue convenable, inspecter périodiquement le disjoncteur en suivant les procédures précisées dans ce document. Ces procédures de vérification aideront à diagnostiquer des problèmes de fonctionnement et sont fournis comme une aide ou un suivi à une inspection qui révèle des problèmes potentiels. L'inspection, l'entretien préventif et les directives de vérification sur place fournies dans ce document sont destinées à être utilisées avec des disjoncteurs à déclenchement électronique munis du système de déclenchement Micrologic<sup>®</sup>, les disjoncteurs thermomagnétiques et les disjoncteurs seulement magnétiques.

**Tableau 1 : Inspection et vérification de disjoncteurs**

Type de disjoncteur	Inspection	Essais de performance
Disjoncteurs thermomagnétiques	Section 2	Section 3
Disjoncteurs seulement magnétiques	Section 2	Section 3
Disjoncteurs Masterpact <sup>®</sup> et PowerPact <sup>®</sup>	Section 2	Section 4
Disjoncteurs à déclenchement électronique (sauf les disjoncteurs Masterpact et PowerPact)	Section 2	Section 5

La norme généralement utilisée comme base d'exigences de vérification sur place est la norme de l'Association nationale américaine des constructeurs de matériel électrique « NEMA AB4 - Guidelines for Inspection and Preventive Maintenance of Molded Case Circuit Breakers Used in Commercial and Industrial Application ( Directives pour inspection et entretien préventif des disjoncteurs à boîtier moulé utilisés dans les applications commerciales et industrielles) ». Si des informations ou une assistance supplémentaires sont nécessaires, contacter le bureau des ventes local. Pour un service sur site, s'adresser au Centre de renseignements pour la clientèle, 24 heures sur 24, au 1-888-778-2733 (É.-U.).

Les procédures d'inspection et d'entretien préventif précisées dans cette publication peuvent être utiles pour organiser un programme d'inspections de routine. Effectuer des essais de performance uniquement si une inspection ou un fonctionnement quotidien indique la possibilité qu'un disjoncteur ne fournit pas de façon adéquate la protection requise par son application.

Si des résultats contestables sont observés durant une inspection ou des essais de performance, consulter le bureau des ventes local. S'il est nécessaire de renvoyer un disjoncteur à l'établissement de fabrication, utiliser un emballage et des matériaux d'emballage appropriés pour éviter un endommagement durant le transport.

Cette publication n'est pas destinée et ne convient pas, à vérifier la performance électrique correcte d'un disjoncteur à boîtier moulé qui a été démonté, modifié, remis en état ou manipulé d'une façon non prévue et non autorisée par l'entreprise.

## Inexactitude des vérifications de disjoncteurs thermomagnétiques

Au cours des dernières années, il y a eu de plus en plus d'incidents de vérifications inexactes sur place. Les obstacles majeurs à une vérification précise sur place des disjoncteurs sont les variables présentes dans les installations modernes, telles que des variantes dans les boîtiers, les connexions à barre-bus, les câblages et la proximité d'autres appareils.

Un autre obstacle est l'utilisation de courants d'essai ac au lieu de courants d'essai cc pour les applications cc. La plupart des fabricants ont essayé et certifié des disjoncteurs ca pour une utilisation dans des applications cc à basse tension (250 Vcc ou moins). Lors d'une application de disjoncteurs thermomagnétiques, à châssis de 1 000 A ou moins, sur des systèmes à basse tension (< 250 Vcc), les caractéristiques thermiques des disjoncteurs restent inchangées. Mais les caractéristiques magnétiques (instantanées) changent et exigent un multiplicateur pour déterminer le courant cc nécessaire pour déclencher le disjoncteur. Les multiplicateurs pour une utilisation avec un appareil Square D sont indiqués dans le bulletin de données « Détermination des capacités porteuses de courant dans des applications spéciales ».

Pour un disjoncteur de plus de 1 000 A et les disjoncteurs spéciaux de 500 Vcc, la corrélation entre le courant ca et le courant cc n'est pas prévisible. Pour des résultats précis, ces disjoncteurs doivent être essayés en utilisant un courant cc. Voir « Vérification sur place des disjoncteurs spéciaux de 500 Vcc » à la page 100 pour des renseignements sur les essais.

## Mesures de sécurité

1. Seuls des électriciens qualifiés ayant une formation et l'expérience des circuits à basse tension doivent effectuer le travail décrit dans ces directives. Le personnel doit connaître les risques encourus à travailler sur ou à proximité des appareils à basse tension. Ces travaux ne doivent être accomplis qu'après avoir lu ces directives d'utilisation dans leur intégralité.
2. Certaines inspections ou procédures nécessitent que certaines parties du système électrique restent sous tension à une tension dangereuse durant la procédure. Observer tous les messages spécifiques de sécurité (Danger, Avertissement, Attention) trouvés dans ce manuel.
3. Porter un équipement de protection de sécurité, reconnaître les risques potentiels et prendre les mesures de sécurité adéquates lors de l'exécution des procédures décrites dans ce manuel.



## Section 2—Inspection visuelle et entretien préventif

Les disjoncteurs à boîtier moulé demandent habituellement très peu d'entretien. L'entreprise recommande d'effectuer les procédures d'inspection sur une base régulière. La fréquence des inspections dépend des conditions de fonctionnement et d'environnement associées avec l'application.

Des inspections visuelles pendant le fonctionnement peuvent être faites n'importe quand lorsque des électriciens ou du personnel d'entretien se trouvent à proximité de l'appareil électrique.

Les inspections d'entretien peuvent être faites aux intervalles d'entretien normaux. Il est recommandé de faire fonctionner le mécanisme des disjoncteurs une fois l'an. L'inspection et l'entretien peuvent être nécessaires plus fréquemment en présence de conditions de fonctionnement ou d'environnement hostiles.

### Boîtier moulé des disjoncteurs

Le boîtier moulé d'un disjoncteur à boîtier moulé Square D ne doit pas être ouvert. L'ouverture du boîtier ou le démontage du disjoncteur annule la garantie du fabricant et compromet l'intégrité du dispositif. Les disjoncteurs ouverts ou autrement défectueux au point de ne pas fonctionner doivent être détruits ou renvoyés à l'entreprise afin d'éviter qu'ils ne soient remis en service. Le retrait de couvercles auxiliaires ou d'accessoires ne constitue pas une ouverture du boîtier moulé.

### Procédures

#### Inspections visuelles pendant le fonctionnement

#### **⚠ DANGER**

##### **RISQUE D'ÉLECTROCUTION, D'EXPLOSION OU D'ÉCLAIR D'ARC**

- Portez un équipement de protection personnelle (ÉPP) approprié et observez les méthodes de travail électrique sécuritaire. Voir NFPA 70E.
- Seul un personnel qualifié doit effectuer l'installation et l'entretien de cet appareil.
- Prenez toutes les précautions pour assurer qu'aucun contact accidentel avec des composants sous tension ne se produise durant ce contrôle.

**Si ces directives ne sont pas respectées, cela entraînera la mort ou des blessures graves.**

Pendant que le disjoncteur est sous tension :

1. Vérifier l'application et la puissance nominale d'un disjoncteur.  
S'assurer que le disjoncteur est mis en service de façon appropriée correspondant à la tension indiquée sur l'étiquette, à l'intensité nominale, aux valeurs nominales maximales d'interruption de courant et aux recommandations de l'entreprise. Comparer les données de la face avant du disjoncteur aux plans d'installation. Vérifier les réglages du déclencheur sur les disjoncteurs à déclenchement électronique Micrologic® avec l'étude de coordination. Après avoir terminé les procédures d'inspection et d'entretien, s'assurer que tous les réglages du déclencheur pour toutes les fonctions sont conformes à l'étude de coordination.
2. Contrôler pour voir s'il se produit une surchauffe lorsque l'appareil est sous tension.  
Pendant que le disjoncteur fonctionne normalement, sous charge et à la température de fonctionnement, vérifier si la face exposée, accessible, isolée et les surfaces adjacentes du coffret surchauffent. Pour faire cela, utiliser une sonde de température infrarouge pour vérifier la température. Si la température dépasse 60 °C, la cause doit être recherchée.

Accorder à un disjoncteur sous tension au moins trois heures pour qu'il atteigne la température de fonctionnement. Comparer la température des surfaces des disjoncteurs individuels à la température des surfaces des autres disjoncteurs de l'installation. Les températures des surfaces des disjoncteurs varient en fonction de leur charge, de l'emplacement sur le panneau de distribution et de la température ambiante. Si la température des surfaces d'un disjoncteur est considérablement plus élevée que pour les disjoncteurs adjacents, la cause doit être recherchée.

Les méthodes d'inspection thermographiques peuvent être également employées pour évaluer la surchauffe d'un appareil sous tension (voir Inspection thermographique, page 99).

3. Vérifier si le boîtier moulé est fissuré.  
Tout disjoncteur avec un boîtier moulé fissuré doit être remplacé parce que sa capacité de soutenir les contraintes d'interruption par court-circuit est réduite.
4. Inspecter le coffret.  
Le coffret doit être propre et sec. Tous les couvercles et toutes les pièces de déclenchement doivent être en place.

## Inspections d'entretien

### **⚠ DANGER**

#### **RISQUE D'ÉLECTROCUTION, D'EXPLOSION OU D'ÉCLAIR D'ARC**

- Portez un équipement de protection personnelle (ÉPP) approprié et observez les méthodes de travail électrique sécuritaire. Voir NFPA 70E.
- Seul un personnel qualifié doit effectuer l'installation et l'entretien de cet appareil.
- Déconnectez toutes les sources d'alimentation avant d'effectuer des inspections. Présumez que tous les circuits sont sous tension tant qu'ils n'ont pas été complètement mis hors tension, vérifiés, mis à la terre et étiquetés. Considérez toutes les sources d'alimentation, y compris la possibilité de rétro-alimentation et l'alimentation de contrôle.
- Utilisez toujours un dispositif de détection de tension à valeur nominale appropriée pour vous assurer que l'alimentation est coupée.
- Remplacez tous les dispositifs, les portes et les couvercles avant de mettre l'appareil sous tension.

**Si ces directives ne sont pas respectées, cela entraînera la mort ou des blessures graves.**

### **ATTENTION**

#### **RISQUE DE DOMMAGES MATÉRIELS**

La lubrification des raccordements débrochables doit être refaite à chaque fois que le disjoncteur est retiré du compartiment.

**Si cette directive n'est pas respectée, cela peut entraîner des dommages matériels.**

Pendant que le disjoncteur est hors tension :

1. Contrôler pour voir s'il existe une surchauffe quand l'appareil est hors tension.  
Inspecter visuellement si les composants électriques montrent des signes de décoloration. Cela peut indiquer une surchauffe. S'il n'existe aucune évidence de surchauffe ou de raccordements lâches ou défaits, ne pas déranger ou resserrer les raccordements.

Raccordements en cuivre :

Si une surchauffe évidente est détectée sur les bornes, connecteurs, conducteurs ou sur l'isolation de conducteurs, nettoyer et polir tous les raccordements et barres-bus affectés en suivant les recommandations de la publication NEMA AB4.

Raccordements en aluminium :

Les connecteurs en aluminium surchauffés doivent être remplacés et les portions endommagées d'un conducteur doivent être retirées. Si le conducteur n'est pas assez long pour se terminer correctement au disjoncteur après le retrait de la portion endommagée, faire une jonction appropriée à l'aide d'une nouvelle longueur d'un conducteur de même calibre.

Raccordements à un panneau de distribution I-Line® :

Si les raccordements des mâchoires du panneau de distribution I-Line sont piqués, décolorés ou déformés, le disjoncteur doit être remplacé. Les mâchoires du I-Line sont calibrées et essayées durant le processus de fabrication. Elles ne sont pas remplaçables sur place. Ne pas les plier ou les ajuster.

Si du lubrifiant pour joint manque sur les raccordements du panneau I-Line, il faut en remettre avant de réinstaller le ou les disjoncteurs. Ce lubrifiant est nécessaire pour assurer l'intégrité du raccordement. Les raccordements du panneau de distribution I-Line requièrent le lubrifiant pour joint Square D PJC-7201.

Raccordements débrochables :

Si des raccordements débrochables d'un disjoncteur Masterpact manquent, sont décolorés ou déformés, ils doivent être remplacés, voir Inspection des groupes de connecteurs (disjoncteurs débrochables Masterpact uniquement) à la page 107. Si d'autres raccordements d'un disjoncteur sont décolorés ou déformés, le disjoncteur doit être remplacé.

Il faut lubrifier les raccordements débrochables à chaque fois que le disjoncteur est retiré du compartiment. Ce lubrifiant est nécessaire pour assurer l'intégrité du raccordement.

Les raccordements débrochables pour des disjoncteurs SE requièrent le lubrifiant pour joint Square D PJC-8311.

Les raccordements débrochables pour les disjoncteurs Masterpact et PowerPact requièrent le kit de lubrification S48899 pour lubrifier les groupes de connecteurs et les deux côtés des lames de connexion.

Après avoir nettoyé ou remplacé les pièces endommagées, serrer tous les raccordements aux couples de serrage spécifiés par Square D. Se reporter aux directives d'utilisation des disjoncteurs pour des renseignements supplémentaires concernant les valeurs de couples de serrage. Les directives d'utilisation sont expédiées avec les disjoncteurs et sont disponibles à la bibliothèque technique Internet de Square D.

2. Faire fonctionner le mécanisme des disjoncteurs :

Mettre la manette du disjoncteur aux positions de marche et d'arrêt plusieurs fois pour assurer que les liaisons ou tringleries mécaniques fonctionnent librement. Déclencher le disjoncteur en appuyant sur le bouton pousser-pour-déclencher. Réarmer et remettre le disjoncteur à la position de marche. Répéter la manœuvre pour assurer l'efficacité opérationnelle. Si le disjoncteur ne se déclenche pas, ou s'il ne se réarme pas après un déclenchement, il doit être remplacé.

3. Nettoyer le disjoncteur :

Enlever toute accumulation de poussière, de crasse, de graisse ou d'humidité des surfaces du disjoncteur avec un chiffon sec non-pelucheux ou un aspirateur. Ne pas utiliser d'air comprimé. Faire attention lors de l'emploi de nettoyeurs ou dissolvants à base de détergent : ces produits pourraient détériorer la face avant, les étiquettes et les matériaux isolants. Nettoyer les surfaces de contact des supports de connexions et des bornes du disjoncteur ou les barres-bus à l'aide d'un nettoyant non abrasif. Un nettoyant abrasif enlèvera le placage, détériorant alors le joint

Si du lubrifiant pour joint manque sur les raccordements des disjoncteurs débrochables I-Line ou SE, du lubrifiant pour joint Square D PJC-7201 ou PJC-8311, respectivement, doit être appliqué de nouveau avant de réinstaller les disjoncteurs. Ce lubrifiant est nécessaire pour assurer l'intégrité du raccordement.

## Inspection thermographique

### **⚠ DANGER**

#### **RISQUE D'ÉLECTROCUTION, D'EXPLOSION OU D'ÉCLAIR D'ARC**

Seuls des électriciens qualifiés ayant une formation et l'expérience des circuits à basse tension doivent effectuer l'inspection thermographique. Le personnel doit connaître les risques encourus à travailler sur ou à proximité des appareils à basse tension. N'entreprenez ce travail qu'après avoir lu ces directives d'utilisation dans leur intégralité.

**Si cette directive n'est pas respectée, cela entraînera la mort ou des blessures graves.**

Les techniques d'inspection thermographique à infrarouge peuvent être utiles pour évaluer la condition de fonctionnement des disjoncteurs et des terminaisons. La comparaison aux images thermographiques infrarouge mises en mémoire peut être utile pour un entretien préventif de disjoncteurs et d'appareils d'utilisation privée. La quantité réelle de chaleur émise est fonction tant du courant de charge que des conditions ambiantes. L'interprétation d'un examen à l'infrarouge exige de l'expérience et une formation à ce type d'inspection.

Accorder aux disjoncteurs initialement mis sous tension au moins trois heures pour atteindre la température de fonctionnement. Comparer les images thermographiques des disjoncteurs individuels aux images antérieurement mises en mémoire des mêmes disjoncteurs.

## Renseignements supplémentaires

Pour plus de renseignements sur les disjoncteurs Square D, se reporter au manuel de directives approprié. Ces manuels contiennent des instructions d'installation, des informations de montage, des mesures de sécurité, des schémas de câblage et des tableaux de dépannage pour des disjoncteurs spécifiques.

## Section 3—Essais de performance des disjoncteurs thermomagnétiques

### Essais généraux de performance des disjoncteurs

#### **⚠ DANGER**

##### **RISQUE D'ÉLECTROCUTION, D'EXPLOSION OU D'ÉCLAIR D'ARC**

- Portez un équipement de protection personnelle (ÉPP) approprié et observez les méthodes de travail électrique sécuritaire. Voir NFPA 70E.
- Seul un personnel qualifié doit effectuer l'installation et l'entretien de cet appareil.
- Coupez toutes les alimentations de l'appareil avant d'y travailler.
- Utilisez toujours un dispositif de détection de tension à valeur nominale appropriée pour vous assurer que l'alimentation est coupée.
- Remplacez tous les dispositifs, les portes et les couvercles avant de mettre l'appareil sous tension.
- Ne touchez pas les bornes ou les fils d'essai d'un disjoncteur alors que celui-ci est en cours de vérification.

**Si ces directives ne sont pas respectées, cela entraînera la mort ou des blessures graves.**

### Vérification sur place des disjoncteurs spéciaux de 500 Vcc

Ces essais contrôlent la performance des disjoncteurs à déclenchement thermomagnétique à boîtier moulé.

Effectuer les essais de performance dans l'ordre donné pour maximiser la précision des résultats des essais.

**REMARQUE :** Ne jamais faire un essai de résistance des contacts avant d'avoir fait des essais d'injection primaire instantanée. Les essais d'injection primaire assureront que les contacts ne montrent aucun signe de film résistif, d'oxydation et de présence de corps étrangers.

Les essais suivants sont destinés à vérifier le bon fonctionnement d'un disjoncteur. Des conditions d'essais contrôlées de façon précise par l'usine sont utilisées pour établir les courbes des caractéristiques du déclenchement. Si les résultats d'essais sur place tombent en dehors de la bande de tolérance pour les caractéristiques des courbes de déclenchement, évaluer la précision des conditions et méthodes d'essais avec attention.

Lorsque des conditions ou résultats douteux sont observés au cours d'une inspection et d'essais de performance, consulter le bureau des ventes local. Les disjoncteurs dotés d'accessoires ou modifiés à l'usine peuvent exiger une investigation spéciale. S'il est nécessaire de renvoyer un disjoncteur à l'établissement de fabrication, employer un emballage et des matériaux d'emballage appropriés pour éviter toute endommagement durant le transport.

Les disjoncteurs Square D de 500 Vcc inscrits UL sont conçus, fabriqués et étalonnés pour une utilisation sur des systèmes d'alimentation sans coupure UPS (Uninterruptable Power Supplies) non mis à la terre. La tension nominale maximale (chargée) est de 500 Vcc et la tension flottante maximale (déchargée) est de 600 Vcc.

Ces disjoncteurs sont inscrits UL quand ils sont appliqués avec les trois pôles raccordés en série comme indiqué sur l'étiquette du disjoncteur. Le raccordement en série est fourni par le client et est externe au disjoncteur.

Les disjoncteurs Square D de 500 Vcc inscrits UL sont des disjoncteurs spéciaux pour les applications cc uniquement et doivent être vérifiés à l'aide de courant cc.

- Sélectionner la courbe de déclenchement temps-courant correct. Les courbes de déclenchement indiquent les gammes de déclenchement thermiques et magnétiques des disjoncteurs.
- Utiliser une alimentation cc pour vérifier les disjoncteurs comme suit:

Disjoncteur	Constante de temps <sup>1</sup>
≤ 400 A cc	≤ 20 ms
450 à 2 500 A cc	≤ 25 ms

Constance d'ondulation cc ≤ 1 % de valeur efficace (rms).

<sup>1</sup> La constante de temps est ainsi définie par UL 489: « la constante de temps du circuit est le temps mesuré sur l'oscillogramme où le courant est de 63,2 % du courant envisagé ».

- S'assurer que la température ambiante et la température du disjoncteur sont de 25 °C ± 3 degrés.
- Enlever le disjoncteur du coffret. Si le retrait du disjoncteur n'est pas pratique, vérifier le disjoncteur dans l'appareil d'utilisation finale. Si les résultats de la vérification tombent en dehors de la tolérance pour la courbe de déclenchement, retirer le disjoncteur du coffret et faire une nouvelle vérification.
- Utiliser un câble de calibre correct (selon les tableaux du code national américain de l'électricité NEC) d'une longueur minimale de 1,22 m (4 pieds) par raccordement.
- Raccorder l'alimentation cc au disjoncteur avec les pôles raccordés en série comme indiqué sur l'étiquette du disjoncteur.
- S'assurer que les raccordements au disjoncteur sont serrés au couple de serrage approprié.
- Appliquer le courant d'essai cc pour déclencher le disjoncteur. Le mécanisme de déclenchement du disjoncteur réagit aux champs magnétiques créés par le courant qui traverse le disjoncteur. Appliquer un courant d'essai cc au disjoncteur d'environ 70 % de la valeur envisagée. Si le disjoncteur ne se déclenche pas, augmenter le courant d'essai au cours de tentatives successives jusqu'à ce qu'il se déclenche. Lorsque le disjoncteur se déclenche
  - a. Réarmer et fermer le disjoncteur
  - b. Appliquer de nouveau le courant d'essai cc pour déclencher le disjoncteur une autre fois.
  - c. Noter le courant et comparer à la courbe de déclenchement.

### Vérification sur place des disjoncteurs à circuit thermomagnétique ca

Points recommandés pour une vérification précise sur place des disjoncteurs (se reporter aux procédures de vérification dans ce manuel pour des renseignements spécifiques):

- Utiliser l'appareil de vérification correct.
- S'assurer que la température ambiante et la température du disjoncteur sont de 25 °C ± 3 degrés.
- Enlever le disjoncteur du coffret. Si le retrait du disjoncteur n'est pas pratique, vérifier le disjoncteur dans l'appareil d'utilisation finale. Si les résultats de la vérification tombent en dehors de la tolérance pour la courbe de déclenchement, retirer le disjoncteur du coffret et faire une nouvelle vérification.
- Utiliser un câble de calibre correct (selon les tableaux du NEC) d'une longueur minimale de 1,22 m (4 pieds) par raccordement.

- Faire un essai sur chaque pôle individuellement.
- S'assurer que les raccordements au disjoncteur sont serrés au couple de serrage approprié.
- Vérifier le disjoncteur et noter les résultats. Le mécanisme de déclenchement du disjoncteur réagit aux champs magnétiques créés par le courant qui traverse le disjoncteur. Lorsque le flux de courant est proche du point de déclenchement du disjoncteur, les champs magnétiques peuvent provoquer un faux déclenchement dû aux vibrations. Suivre les points suivants pour minimiser les effets d'un faux déclenchement:
  - a. Après chaque impulsion de courant ou quand le disjoncteur se déclenche, réarmer et mettre le disjoncteur à la position de marche.
  - b. Appliquer de nouveau le courant d'essai pour déclencher le disjoncteur une autre fois.
  - c. Noter le courant et comparer à la courbe de déclenchement.

## Essais de performance

### Essai de résistance d'isolation

Des conditions d'environnement sévères peuvent réduire la rigidité diélectrique des disjoncteurs à boîtier moulé. Vérifier la résistance de l'isolation pendant un essai du système électrique.

Pour vérifier la résistance d'isolation, procéder comme suit :

1. Mettre le disjoncteur hors tension et l'isoler.
2. Nettoyer le disjoncteur comme écrit antérieurement.
3. En utilisant un mégohmmètre avec une capacité de 500 à 1 000 V cc appliquer la tension entre :
  - a. Chaque phase et la terre avec le disjoncteur en position de marche (I), contacts du disjoncteur fermés.
  - b. Phase à phase avec le disjoncteur en position de marche (I), contacts du disjoncteur fermés.
  - c. Entre chaque borne de ligne et charge avec le disjoncteur en position d'arrêt (O), contacts du disjoncteur ouverts.
4. Noter les valeurs de résistance. Les valeurs de résistance inférieures à un mégohm (1 000 000 Ohms) doivent être investiguées.

## ATTENTION

### RISQUE DE DOMMAGES MATÉRIELS

N'appliquez pas la tension d'essai aux circuits de contrôle ou aux bornes d'accessoires; un endommagement des composants électroniques ou de basse tension pourraient en résulter.

**Si cette directive n'est pas respectée, cela entraînera des dommages matériels.**

## Essais de performance des disjoncteurs thermomagnétiques

### **⚠ DANGER**

#### **RISQUE D'ÉLECTROCUTION, D'EXPLOSION OU D'ÉCLAIR D'ARC**

- Portez un équipement de protection personnelle (ÉPP) approprié et observez les méthodes de travail électrique sécuritaire. Voir NFPA 70E.
- Seul un personnel qualifié doit effectuer l'installation et l'entretien de cet appareil.
- Coupez toutes les alimentations de l'appareil avant d'y travailler.
- Utilisez toujours un dispositif de détection de tension à valeur nominale appropriée pour vous assurer que l'alimentation est coupée.
- Remplacez tous les dispositifs, les portes et les couvercles avant de mettre l'appareil sous tension.

**Si ces directives ne sont pas respectées, cela entraînera la mort ou des blessures graves.**

## Essai de déclenchement sur surintensité de retard inversé

1. Désactiver complètement le disjoncteur et le retirer du service. Effectuer les essais suivants à 300 % de l'intensité nominale du disjoncteur pour vérifier la performance de l'élément de déclenchement thermique sur les disjoncteurs thermomagnétiques à l'aide d'une alimentation ca capable de délivrer des courants élevés, basse tension de moins de 24 V.
2. Essai en plein air à une température ambiante de 25 °C (77 °F).
3. Les temps de déclenchement sont mesurés à partir d'un « démarrage à froid ». Un démarrage à froid, comme défini par Underwriters Laboratories Inc. dans la norme 489 se produit à 25 °C ± 3 ° (77 °F ± 5 °). Par conséquent, avant d'entreprendre des essais de surintensité, le disjoncteur doit être dans une température ambiante de 25 °C (77 °F) pendant suffisamment longtemps pour que toutes les pièces atteignent cette température. Les disjoncteurs qui ont été exposés à des températures ambiantes plus élevées peuvent demander jusqu'à quatre heures pour atteindre les températures d'état constant mentionnées ci-dessus.
4. Raccorder le disjoncteur à une alimentation à l'aide d'un câble d'une longueur minimale de 1,2 m (4 pieds) sur chaque raccordement. Déterminer le calibre du câble en fonction de l'intensité nominale du disjoncteur vérifié. Se reporter au Code national de l'électricité (NEC; É.-U.), tableau 310-16; utiliser la colonne de 75 °C pour le calibre approprié des conducteurs. Un câble de calibre incorrect affectera les résultats de l'essai.
5. Essayer chaque pôle du disjoncteur individuellement à 300 % du courant nominal à l'aide d'une alimentation ca capable de délivrer des courants élevés, basse tension.
6. Noter et comparer les valeurs d'essai de déclenchement à celles du tableau 2. Tant que les temps de déclenchement notés sont en dessous des temps de déclenchement maximum, le disjoncteur fournit une protection thermique acceptable.

Si la vérification des données du fabricant est requise, comparer les temps de déclenchement à la plage de déclenchement de 300 % indiquée sur la courbe de déclenchement pour le disjoncteur spécifique. Si les résultats des essais sur place tombent en dehors de la bande de tolérance des caractéristiques de la courbe de déclenchement, la précision des conditions et méthodes des essais doit être évaluée avec attention. Une petite erreur dans la valeur du courant d'essai entraîne une grande erreur sur le temps de déclenchement.

### Essai de déclenchement instantané (magnétique)

Cet essai simule des conditions de court-circuit en utilisant une alimentation d'essai basse tension. Pour empêcher des champs magnétiques parasites d'affecter les résultats des essais, les câbles d'essai sortant du disjoncteur doivent être parallèles au passage de courant du disjoncteur sur un minimum de 254 mm (10 po). Les résultats des essais peuvent être également influencés par la forme de l'onde du courant d'alimentation. Utiliser une source d'alimentation avec une véritable sortie sinusoïdale et une valeur efficace vraie ou avec un ampèremètre analogique pour assurer des résultats précis. Pour vérifier la performance de l'élément de déclenchement instantané (magnétique), procéder comme suit:

**REMARQUE :** Vérifier les disjoncteurs PA et PH avec le disjoncteur monté sur un kit de support de connexions (numéro de catalogue PALTB). Les disjoncteurs PC doivent être vérifiés avec le disjoncteur monté sur le kit de support de connexions fourni avec le disjoncteur.

**Tableau 2 : Essai de déclenchement sur surintensité de retard inversé<sup>1</sup>**

Courant continu nominal	Temps de déclenchement max.	
	240 V	480 V / 600V
0 à 30 A	60 s	
31 à 50 A	80 s	100 s
51 à 100 A	140 s	160 s
101 à 150 A	200 s	250 s
151 à 225 A	230 s	275 s
226 à 400 A	300 s	350 s
401 à 600 A		450 s
601 à 800 A		500 s
801 à 1 000 A		600 s
1 001 à 1 200 A		700 s
1 201 à 1 600 A		775 s
1 601 à 2 000 A		800 s
2 001 à 2 500 A		850 s
2 501 à 5 000 A		900 s

<sup>1</sup> Pour les disjoncteurs thermomagnétiques (à 300 % de l'intensité nominale du disjoncteur). Dérivé du tableau 5-3, norme NEMA AB 4-1996.

Vérifier les disjoncteurs NA et NC dans l'appareil d'utilisation finale ou couchés à plat sur une pièce d'acier de 3 mm (1/8 po) d'épaisseur.

1. Régler l'ajustement du déclencheur instantané (magnétique) du disjoncteur, si fourni, au réglage le plus haut. Les essais faits au réglage haut assurent l'existence d'une protection du déclencheur instantané à tous les réglages inférieurs.
2. Raccorder le disjoncteur à la source d'essai basse tension avec toute longueur convenable de conducteur.
3. Essayer chaque pôle individuellement par la méthode d'impulsions comme suit:

La méthode d'impulsions exige que l'appareil de vérification possède une fermeture contrôlée et un ampèremètre à butée d'aiguille, un oscilloscope calibré à retenue d'image ou un ampèremètre numérique à cadence élevée d'échantilonage. La méthode d'impulsions implique les points suivants:

- a. Raccorder un pôle du disjoncteur d'essai à l'appareil de vérification.
- b. Régler la commande de courant de l'appareil de vérification à une valeur d'environ 70 % du réglage du courant du déclencheur instantané.

Exemple : Si le réglage du déclencheur instantané (magnétique) est de 2 000 A, régler l'appareil de vérification à 1 400 A.

- c. Après avoir correctement raccordé et réglé le disjoncteur, appliquer le courant en impulsions de 10 cycles environ.
  - d. En démarrant à 70 % du réglage du déclencheur instantané, augmenter le courant de chaque impulsion jusqu'à ce que le disjoncteur se déclenche. Après chaque impulsion, placer la manette du disjoncteur à la position de réarmement total, puis à la position de marche.
  - e. Répéter le point D pour recontrôler et vérifier cette valeur. Démarrer avec un niveau de courant en dessous de la valeur mesurée au point D pour assurer un « non déclenchement » sur l'impulsion initiale.
4. Noter le niveau de courant et le temps de déclenchement. Pour assurer une protection du conducteur nominal, le courant nécessaire pour déclencher le disjoncteur instantanément ne doit pas dépasser 140 % du réglage haut pour les disjoncteurs ayant une taille de châssis de 250 A et en dessous, et 125 % du réglage haut pour les disjoncteurs ayant une taille de châssis de 400 A et au-dessus. Ces réglages sont imprimés sur l'étiquette de la face avant du disjoncteur. Si des courants plus hauts que ces niveaux maximums sont nécessaires pour déclencher le disjoncteur, consulter le bureau des ventes local.

Si les résultats des essais sur place tombent hors de la bande de tolérance des caractéristiques de la courbe de déclenchement, la précision des conditions et méthodes des essais doit être évaluée avec attention.

#### **Essai de maintien au courant nominal**

Cet essai ne doit être effectué que sur des disjoncteurs qui se sont déclenchés intempestivement dans des conditions normales.

Effectuer l'essai à une température ambiante de 25 °C (77 °F) à l'aide d'une alimentation ca capable de délivrer des courants élevés, basse tension. Suivre la même procédure que celle utilisée dans le test de déclenchement sur surintensité de retard inversé, points 1 à 3, page 103. Raccorder tous les pôles du disjoncteur en série en utilisant des câbles d'une ampacité appropriée pour l'application. Ces câbles doivent être d'une longueur de 1,22 m (4 pieds) par borne (2,43 m [8 pieds] au total entre les pôles). Tous



les connecteurs doivent être serrés au couple de serrage approprié selon les spécifications indiquées sur l'étiquette du disjoncteur.

Le disjoncteur ne doit pas se déclencher lorsque 100 % du courant nominal du dispositif sont appliqués pendant une heure pour les disjoncteurs d'une intensité nominale inférieure à 100 A, ou pendant deux heures pour les disjoncteurs d'une intensité nominale supérieure à 100 A. Si le disjoncteur se déclenche, réarmer et déplacer la manette de la position d'arrêt à la position de marche plusieurs fois en étant sous charge, puis refaire l'essai. Si la condition de déclenchement persiste, contacter le bureau des ventes local.

#### **Essai de résistance des contacts**

Les essais de résistance des pôles d'un disjoncteur ne sont pas des indicateurs fiables de la performance du disjoncteur parce que les valeurs de résistance sont influencées par un certain nombre de facteurs transitoires, notamment l'oxydation des surfaces de contact, la présence de corps étrangers entre les contacts et les méthodes d'essais. Le paragraphe 6.4.1. de NEMA AB 4 précise: « La chute de tension en millivolts d'un pôle de disjoncteur peut varier de façon notable par suite de la variabilité inhérente due à la très faible résistance des contacts et connecteurs électriques. De telles variations ne prédisent pas nécessairement une performance inacceptable et ne doivent pas être utilisées comme seul critère pour déterminer l'acceptabilité ».

Une résistance élevée des pôles peut être également causée par des contacts érodés, une force de contact faible et une terminaison desserrée. Le seul de ces facteurs à être vraisemblablement présent sur un disjoncteur neuf est une terminaison desserrée, du fait que les contacts sont neufs et que la pression des contacts n'a eu aucune occasion de se dérégler depuis le réglage à l'usine. Une terminaison desserrée peut être corrigée sur place.

Si un essai de résistance des contacts est effectué, il est important de le faire après le conditionnement des contacts par un essai d'injection primaire instantanée afin de s'assurer que les contacts ne montrent aucun film résistif, aucune oxydation et ne comportent pas de corps étrangers. Si le disjoncteur a été en service sans problèmes de performance (surchauffe ou déclenchement intempestif), les mesures de résistance des contacts sont superflues et de peu de valeur.

Square D recommande d'utiliser un ohmmètre numérique à faible résistance DLRO (Digital Low Resistance Ohmmeter), avec un courant d'essai cc de 10 A pour les disjoncteurs d'une intensité nominale inférieure à 100 A, et un courant cc de 100 A pour les disjoncteurs d'une intensité nominale de 100 A et au-dessus. La valeur médiane (du milieu) de trois relevés (en basculant la manette du disjoncteur entre chaque relevé) doit être notée pour chaque pôle essayé. Si cette valeur est égale ou inférieure à la valeur indiquée dans le tableau 3, le pôle est acceptable. Si le relevé est supérieur, la cause doit être recherchée et corrigée si possible. Contacter le bureau des ventes local pour plus de renseignements.

Tableau 3 : Valeur maximum de résistance par pôle en micro-Ohms

Disjoncteur			Disjoncteur			Disjoncteur			Disjoncteur			
Type	Val. nom.	Micro-ohms (μohm)	Type	Val. nom.	Micro-ohms (μohm)	Type	Val. nom.	Micro-ohms (μohm)	Type	Val. nom.	Micro-ohms (μohm)	
FA, FH, FC	15	38 400	KA, KH	70	3420	MA, MH	125	1970	JD, JG, JJ, JL	150	890	
	20	23 100		80	2620		175	1120		175	680	
	25	14 800		90	2390		200	890		200	540	
	30	10 400		100	1930		225	730		225	430	
	35	7860		110	1620		250	600		250	350	
	40	6010		125	1250		300	425		NSF, CG, CJ	16	35 000
	45	5180		150	890		350	322			25	14 000
	50	4190		175	680		400	246			32	7000
	60	2910		200	540		500	180			40	6000
	70	2340		225	430		600	140			50	4000
80	1790	250	350	700	115	63	2800					
90	1430	KC, KI	110	1620	800	96	80	1700				
100	1,60		125	1250	900	83	100	1100				
FD, FG, FJ	15		34 700	150	890	1000	67	NSJ	400		240	
	20		19 500	175	680	HD, HG, HJ, HL	15		35 000		600	140
	25		12 500	200	540		20	23 000	MG, MJ	300	780	
	30		9550	225	430		25	14 000		350	570	
	35		7020	250	350		30	10 400		400	440	
	40		6800	LA, LH	125		1500	35		7860	450	350
	45		5780		150		1200	40		6010	500	280
	50		5000		175		980	45		5180	600	190
	60	4120	200		770		50	4190		700	140	
	70	3510	225		610		60	2910		800	110	
80	3170	250	500		70		2340	NA, NC		600	138	
90	2510	300	350		80	1790	700			131		
100	2260	350	260		90	1430	800		105			
110	2060	400	200		100	1160	900		100			
FI	125	1800	LI, LC		300	589	125		1250	1000	82	
	20	26 200		350	513	150	230		1200	69		
	25	17 700		400	308	PA, PH, PC	600		132			
	30	12 300		450	310		700		123			
	35	9070		500	286		800		100			
	40	7330		600	209		1000		77			
	45	5790					1200	66				
	50	4930					1400	61				
	60	3420					1600	50				
	70	3020					1800	43				
80	2,31			2000	38							
90	1980			2500	33							
100	1600											

FRANÇAIS

### Retirer les raccordements d'essai

Dès la fin des essais:

- Retirer les raccordements d'essai du disjoncteur.
- Inspecter les raccordements afin de voir s'ils ont été endommagés par les essais.

### Renseignements supplémentaires

Pour plus de renseignements sur les disjoncteurs Square D, se reporter au manuel de directives approprié. Ces manuels contiennent des directives d'installation, des renseignements de montage, des mesures de sécurité, des schémas de câblage et des tableaux de dépannage pour des disjoncteurs spécifiques.

## Section 4—Essais de performance des disjoncteurs Masterpact® et PowerPact®

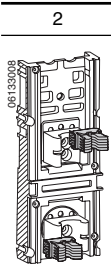
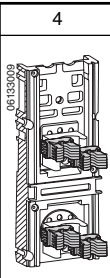
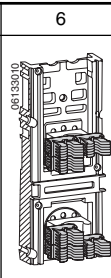
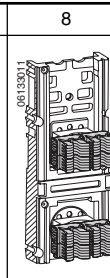
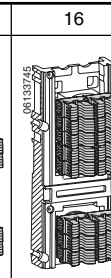
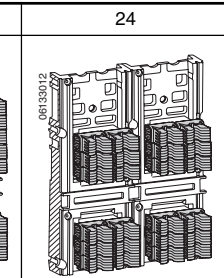
### Inspection des groupes de connecteurs (disjoncteurs débrochables Masterpact uniquement)

Ces essais contrôlent la performance des disjoncteurs à déclenchement électronique Masterpact® et PowerPact®.

Pour les disjoncteurs Masterpact débrochables :

1. Inspecter les groupes de connecteurs et leurs supports situés à l'arrière du disjoncteur. S'assurer que les groupes de connecteurs sont installés correctement comme indiqué au tableau 4.
2. Faire une inspection visuelle des groupes de connecteurs pour voir s'ils sont usés et déceler des signes d'endommagement tels que:
  - Des zones décolorées
  - Du cuivre visible sur les doigts
  - Des ressorts fêlés ou cassés
  - Des groupes manquants
  - Manque d'alignement avec d'autres groupes (indique un endommagement du ressort)
3. Faire une inspection visuelle des groupes pour voir s'ils sont usés.
4. Vérifier si tous les groupes de connecteurs sont munis de dispositifs de retenue, voir à la page 110. Si des dispositifs de retenue ne sont pas installés, installer comme indiqué à la page 110.

**Tableau 4 : Configuration des groupes de connecteurs**

Nombre de groupes de connecteurs par pôle					
2	4	6	8	16	24
					

## Remplacement des groupes de connecteurs

### ATTENTION

#### RISQUE DE DOMMAGES MATÉRIELS

- Si des groupes de connecteurs sont retirés pour quelque raison que ce soit, les groupes de connecteurs doivent être remplacés à l'aide de l'outil de positionnement S47542.
- Lubrifier les groupes de connecteurs comme indiqué dans la figure Application de graisse sur les groupes de connecteurs à la page 112.
- Régler les groupes de connecteurs comme indiqué dans la section « Réglage des groupes de connecteurs » à la page 112.
- Installez uniquement une lame d'essai d'une largeur de 9,5 mm (3/8 po) ou l'outil de réglage (CLUSRETOOL) dans les mâchoires des groupes de connecteurs.

**Si ces directives ne sont pas respectées, cela peut entraîner des dommages matériels.**

Si des groupes de connecteurs sont retirés pour quelque raison que ce soit, les groupes de connecteurs doivent être remplacés à l'aide de l'outil de positionnement S47542.

**Tableau 5 : Nombre de groupes de connecteurs par pôle**

Type	N / N1	H1	HA	H / H2 / H3 / HF	L / L1 / LF / L1F / HB / NC	
V ~	NW08	2	4	4	4 / 6 / 6 / 4	8
	NW12	2	—	—	4	8
	NW16	6	6	6	6	8
	NW20	8	8	8	8	16
	NW25 / NW30	—	—	—	16	16
	NW32	—	16	16	16	24
	NW40/NW50	—	—	24	24	24
V ∴	NW60	—	—	—	24	24
	NW80 / NW12 / NW16 / NW20 / NW25					8
	NW30 / NW40					16

Tableau 6 : Kits de dispositifs de retenue du groupe de connecteurs

Description	Taille du châssis	Type d'interruption	Groupes de connecteurs par pôle	Kit de dispositifs de retenue de groupe de connecteurs		Couleur du dispositif de retenue		
				3P	4P	Supérieur	Inférieur	
Disjoncteur Masterpact NW inscrit UL489	800/1600 A	N/H	2, 4 ou 6	CRK2000A3P	CRK2000A4P	Incolore	Incolore	
		L/LF	8	CRK2000A3P	N/A	Incolore	Incolore	
	2000 A	N/H	8	CRK2000A3P	CRK2000A4P	Incolore	Incolore	
		L/LF	16	CRK3000L3P	N/A	Incolore	Incolore	
	2500/3000 A	H	16	CRK3200A3P	CRK3200A4P	Rouge	Noir	
		L	16	CRK3000L3P	N/A	Rouge	Noir	
	4000/5000/6000 A	H	24	CRK6000A3P	CRK6000A4P	Rouge	Noir	
		L	24	CRK6000A3P	N/A	Noir	Noir	
	Interrupteurs automatiques Masterpact NW inscrits UL489	800/1600 A	HF	4 ou 6	CRK2000A3P	CRK2000A4P	Noir	Noir
			HB	8	CRK2000A3P	N/A	Incolore	Incolore
2000 A		HF	8	CRK2000A3P	CRK2000A4P	Incolore	Incolore	
		HB	16	CRK3000L3P	N/A	Incolore	Incolore	
2500/3000 A		HF	16	CRK3200A3P	CRK3200A4P	Rouge	Noir	
		HB	16	CRK3000L3P	N/A	Rouge	Noir	
4000/5000/6000 A		HF	24	CRK6000A3P	CRK6000A4P	Rouge	Noir	
		HB	24	CRK6000A3P	N/A	Noir	Noir	
Disjoncteur Masterpact NW certifié ANSI C37		800/1600 A	N1/H1/H2/H3	2, 4 ou 6	CRK2000A3P	CRK2000A4P	Noir	Noir
		2000 A	L1/L1F	8	CRK2000A3P	N/A	Incolore	Incolore
	H1/H2/H3		8	CRK2000A3P	CRK2000A4P	Incolore	Incolore	
	L1/L1F		16	CRK3000L3P	N/A	Incolore	Incolore	
	3200 A	H1/H2/H3	16	CRK3200A3P	CRK3200A4P	Incolore	Incolore	
		L1	24	CRK6000A3P	N/A	Rouge	Noir	
	4000/5000 A	H2/H3	24	CRK6000A3P	CRK6000A4P	Rouge	Noir	
		L1	24	CRK6000A3P	N/A	Noir	Noir	
	800/1600 A	HA	4 ou 6	CRK2000A3P	CRK2000A4P	Noir	Noir	
	2000 A	HA	8	CRK2000A3P	CRK2000A4P	Noir	Noir	
Interrupteurs non automatiques Masterpact NW certifiés ANSI C37	3200 A	HA	16	CRK3200A3P	CRK3200A4P	Incolore	Incolore	
	4000/5000 A	HA	24	CRK6000A3P	CRK6000A4P	Incolore	Incolore	
	800/1600 A	HF	4 ou 6	CRK2000A3P	CRK2000A4P	Rouge	Noir	
		HC	8	CRK2000A3P	N/A	Noir	Noir	
Masterpact NW certifiés ANSI C37	2000 A	HF	8	CRK2000A3P	CRK2000A4P	Incolore	Incolore	
		HC	16	CRK3000L3P	N/A	Incolore	Incolore	
	3200 A	HF	16	CRK3200A3P	CRK3200A4P	Incolore	Incolore	
		HC	24	CRK6000A3P	N/A	Rouge	Noir	
	4000/5000 A	HF	24	CRK6000A3P	CRK6000A4P	Rouge	Noir	
		HC	24	CRK6000A3P	N/A	Noir	Noir	
Disjoncteur cc Masterpact NW inscrits UL489	800/1200/1600/2000/2500 A	Toutes	8	CRK2500D2P	N/A	Incolore	Incolore	
	3000/4000 A	Toutes	16	CRK4000D2P	N/A	Rouge	Noir	
Clip d'attache du groupe de connecteurs	Toutes	Toutes	—	CRCLIP	—	—	—	

FRANÇAIS

## ⚠ DANGER

### RISQUE D'ÉLECTROCUTION, D'EXPLOSION OU D'ÉCLAIR D'ARC

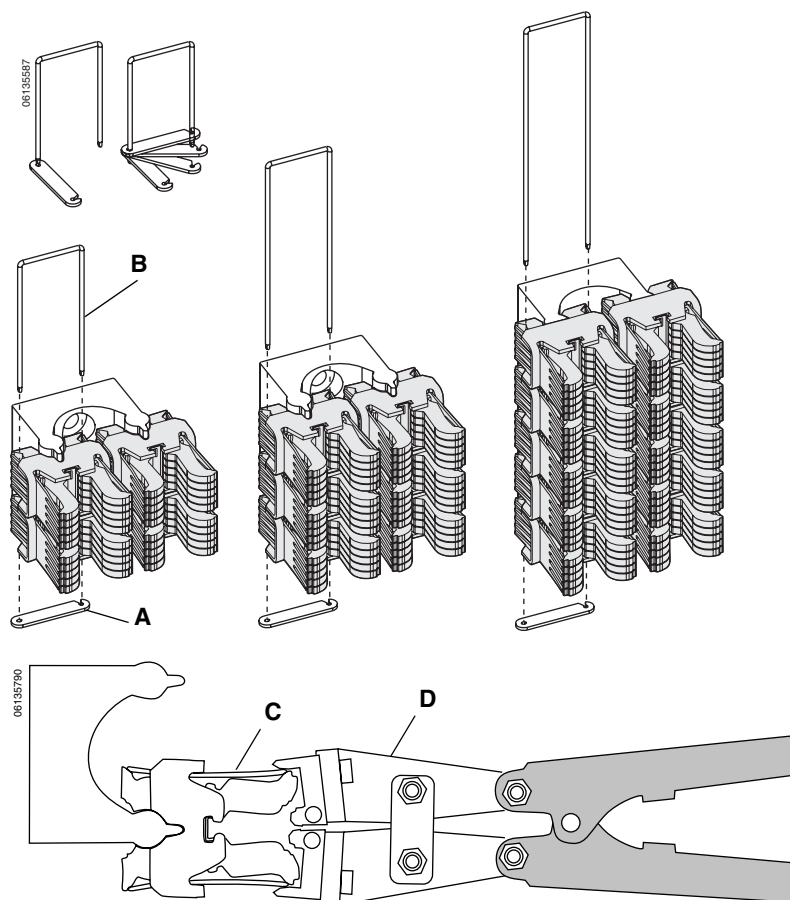
Installez le dispositif de retenue des groupes de connecteurs approprié tel qu'identifié par la couleur en fonction de la taille et du type de disjoncteur. Voir le tableau 6.

**Si ces directives ne sont pas respectées, cela entraînera la mort ou des blessures graves.**

**REMARQUE :** Le clip d'attache du groupe de connecteurs ne peut pas être réutilisé. Utiliser un nouveau clip d'attache de groupe de connecteurs, numéro de pièce CRCLIP.

1. Remplacer les groupes de connecteurs usés ou endommagés sur toutes les configurations sauf les groupes de connecteurs inférieurs dans les configurations à 16 et 24 groupes.
  - a. Retirer le clip d'attache (A) et le dispositif de retenue (B) de groupes de connecteurs, si muni. Jeter le clip d'attache de groupes de connecteurs. Enlever les groupes de connecteurs usés ou endommagés.
  - b. Installer des groupes de connecteurs neufs (C) à l'aide de l'outil de positionnement S47542 (D).
  - c. Fixer les groupes de connecteurs à l'aide d'un dispositif de retenue (B) de groupe de connecteurs et d'un nouveau clip d'attache (A). Voir le tableau 6 pour le kit de retenue et la couleur du dispositif de retenue corrects de groupes de connecteurs.

Figure 1 : Remplacement des groupes de connecteurs



## **⚠ DANGER**

### **RISQUE D'ÉLECTROCUTION, D'EXPLOSION OU D'ÉCLAIR D'ARC**

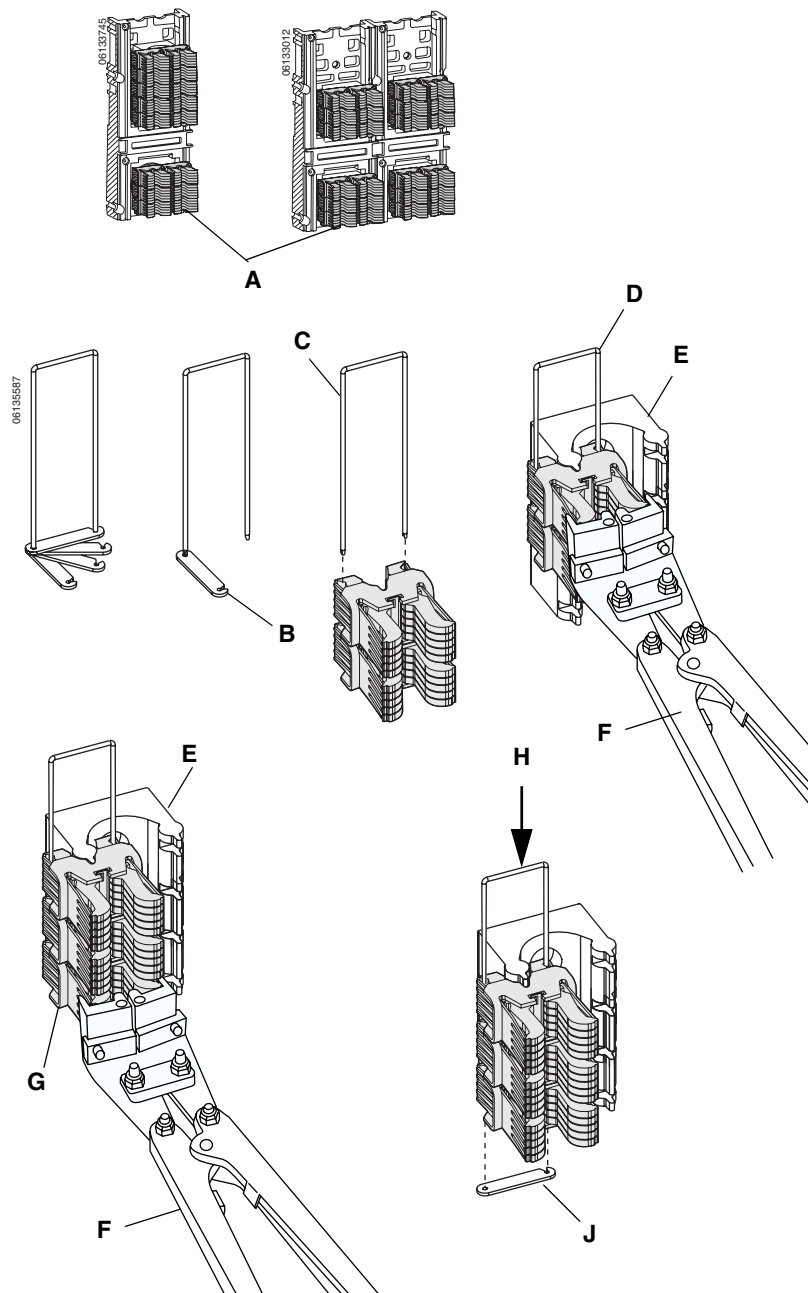
Installez le dispositif de retenue des groupes de connecteurs approprié tel qu'identifié par la couleur en fonction de la taille et du type de disjoncteur. Voir le tableau 6.

**Si ces directives ne sont pas respectées, cela entraînera la mort ou des blessures graves.**

2. Remplacer les groupes de connecteurs usés ou endommagés dans le jeu inférieur (A) des configurations à 16 et 24 groupes.

- a. Retirer le clip d'attache (B) et le dispositif de retenue (C) de groupes de connecteurs, si muni. Jeter le clip d'attache de groupes de connecteurs. Retirer tous les groupes de connecteurs; mettre au rebut les groupes de connecteurs usés ou endommagés.
- b. Faire passer le dispositif de retenue (C) à travers deux groupes de connecteurs jusqu'à ce que la partie inférieure du dispositif de retenue soit au niveau de la partie inférieure du groupe de connecteurs inférieur. Voir le tableau 6 pour le kit de retenue et la couleur du dispositif de retenue corrects de groupes de connecteurs.
- c. Installer les deux groupes de connecteurs et le dispositif de retenue (D) sur les deux encoches supérieures du support (E) à l'aide de l'outil de positionnement S47542 (F).
- d. Installer le troisième groupe de connecteurs (G) sur l'encoche inférieure du support (E) à l'aide de l'outil de positionnement S47542 (F).
- e. Faire passer le dispositif de retenue (H) des groupes de connecteurs à travers le troisième groupe et fixer à l'aide du nouveau clip d'attache (J).
- f. Répéter les points pour les groupes de connecteurs sur l'autre côté du support.

**Figure 2 : Remplacement des groupes de connecteurs**



## Réglage des groupes de connecteurs

Régler les groupes de connecteurs à l'aide d'une pièce de barre-bus de 9,5 mm (3/8 po) de largeur (A) ou de l'outil de réglage (B) (CLUSRETOOL).

- Lubrifier les côtés de l'outil de réglage (C) de groupes de connecteurs avec de la graisse du kit (no de cat. S48899).
- Les groupes de connecteurs doivent être réglés à chaque fois que le disjoncteur est retiré du compartiment.
- Les groupes de connecteurs doivent être réglés après un essai d'injection primaire.

## Lubrification des groupes de connecteurs

Lubrifier les mâchoires des groupes de connecteurs avec de la graisse du kit (numéro de catalogue S48899), comme indiqué à la figure 4.

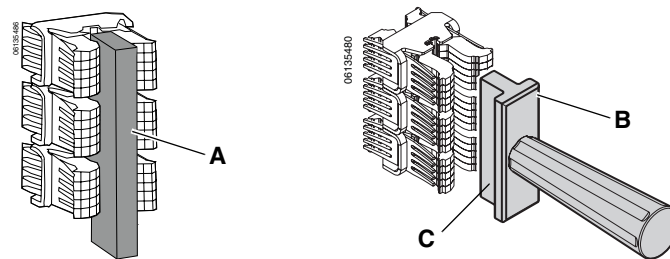
## **⚠ DANGER**

### **RISQUE DE DÉALIGNEMENT ET DE DÉSENGAGEMENT DE GROUPES DE CONNECTEURS**

Les groupes de connecteurs doivent être remis en place avec ou sans clips afin de réduire le risque de désalignement et de désengagement des groupes de connecteurs.

**Si cette directive n'est pas respectée, cela entraînera des blessures graves ou la mort par suite d'éclair d'arc ou de brûlure.**

Figure 3 : Réglage des ressorts des groupes de connecteurs



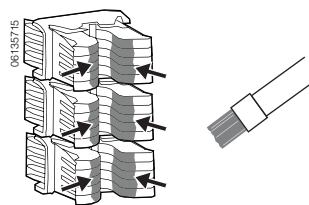
## **ATTENTION**

### **RISQUE DE DOMMAGES MATÉRIELS**

Inspectez la lubrification des groupes de connecteurs lorsque le disjoncteur est retiré du berceau.

**Si cette directive n'est pas respectée, cela peut entraîner des dommages matériels.**

Figure 4 : Application de graisse sur les groupes de connecteurs





### Lubrification des lames de connexion du berceau

Les lames de connexion du berceau doivent être inspectées et lubrifiées lorsque le berceau est installé pour la première fois et de nouveau durant les périodes d'entretien après avoir déconnecté toute alimentation électrique.

S'assurer que les lames de connexion sont lubrifiées sur les deux côtés. Si nécessaire, utiliser le kit de graisse (numéro de catalogue S48899) pour lubrifier les lames.

### Installation d'un disjoncteur de la position de débrochage à la position déconnectée

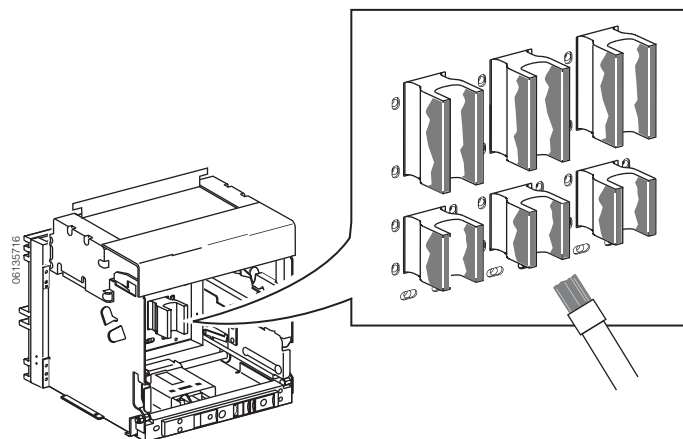
## ⚠ DANGER

### RISQUE D'ÉLECTROCUTION, D'EXPLOSION OU D'ÉCLAIR D'ARC

- Portez un équipement de protection personnelle (ÉPP) approprié et observez les méthodes de travail électrique sécuritaire. Voir NFPA 70E.
- Seul un personnel qualifié doit effectuer l'installation et l'entretien de cet appareil.
- Coupez l'alimentation de l'appareil avant d'y travailler.
- Utilisez toujours un dispositif de détection de tension à valeur nominale appropriée pour s'assurer que l'alimentation est coupée.
- Remplacez tous les dispositifs, les portes et les couvercles avant de mettre l'appareil sous tension.

**Si ces directives ne sont pas respectées, cela entraînera la mort ou des blessures graves.**

Figure 5 : Application de graisse sur les lames de connexion du berceau



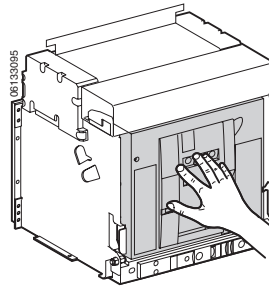
## ⚠ DANGER

### RISQUE DE DÉALIGNEMENT ET DE DÉSENGAGEMENT DE GROUPES DE CONNECTEURS

L'emploi d'une force excessive quand vous poussez le disjoncteur à la position déconnectée au-delà de la force requise pour surmonter la résistance normale d'installation peut entraîner un désalignement ou un désengagement des groupes de connecteurs.

**Si cette directive n'est pas respectée, cela entraînera des blessures graves ou la mort par suite d'éclair d'arc ou de brûlure.**

Figure 6 : Installation de la position de débrogage à la position déconnectée



## Essais de performance

### **⚠ DANGER**

#### **RISQUE D'ÉLECTROCUTION, D'EXPLOSION OU D'ÉCLAIR D'ARC**

- Portez un équipement de protection personnelle (ÉPP) approprié et observez les méthodes de travail électrique sécuritaire. Voir NFPA 70E.
- Seul un personnel qualifié doit effectuer l'installation et l'entretien de cet appareil.
- Coupez toutes les alimentations de l'appareil avant d'y travailler.
- Utilisez toujours un dispositif de détection de tension à valeur nominale appropriée pour vous assurer que l'alimentation est coupée.
- Remplacez tous les dispositifs, les portes et les couvercles avant de mettre l'appareil sous tension.
- Ne touchez pas les bornes ou les fils de connexion d'essais d'un disjoncteur pendant que ce dernier est en cours de vérification.

**Si ces directives ne sont pas respectées, cela entraînera la mort ou des blessures graves.**

Effectuer les essais de performance dans l'ordre donné pour maximiser la précision des résultats des essais.

**REMARQUE :** Ne jamais faire un essai de résistance des contacts avant d'avoir fait des essais d'injection primaire instantanée. Les essais d'injection primaire assureront que les contacts ne montrent aucun signe de film résistif, d'oxydation et de présence de corps étrangers.

Les essais suivants sont destinés à vérifier le bon fonctionnement d'un disjoncteur. Des conditions d'essais contrôlées de façon précise par l'usine sont utilisées pour établir les courbes des caractéristiques du déclenchement. Si les résultats d'essais sur place tombent en dehors de la bande de tolérance pour les caractéristiques des courbes de déclenchement, évaluer la précision des conditions et méthodes d'essais avec attention.

Lorsque des conditions ou résultats douteux sont observés au cours d'une inspection et d'essais de performance, consulter le bureau des ventes local. Les disjoncteurs dotés d'accessoires ou modifiés à l'usine peuvent exiger une investigation spéciale. S'il est nécessaire de renvoyer un disjoncteur à l'établissement de fabrication, employer un emballage et des matériaux d'emballage appropriés pour éviter tout endommagement durant le transport.

## Essais diélectriques des disjoncteurs Masterpact avec déclencheurs Micrologic® P et H

### ATTENTION

#### RISQUE DE DOMMAGES MATÉRIELS

- Les essais diélectriques (essais haute tension, résistance de l'isolation ou avec mégohmmètre) peuvent endommager les déclencheurs Micrologic® P et H.
- Retirer la fiche de valeur nominale du déclencheur avant de procéder aux essais.
- Remplacez le déclencheur si la fiche de valeur nominale n'a pas été retirée durant les essais ou si le déclencheur a été exposé à plus de 700 Vca.

**Si ces directives ne sont pas respectées, cela peut entraîner des dommages matériels.**

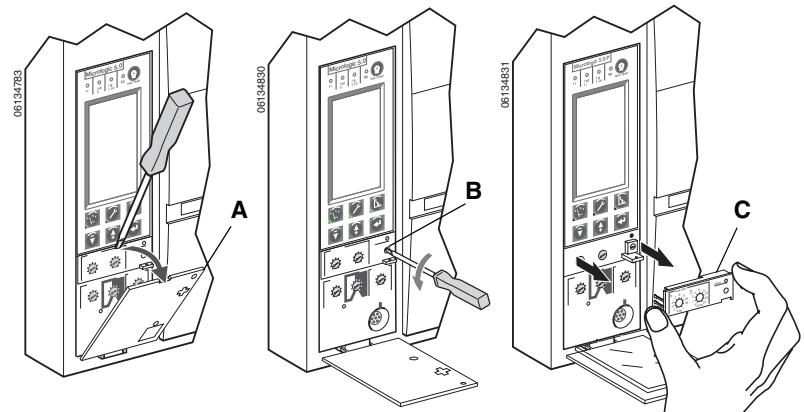
1. Ouvrir le couvercle des commutateurs (A).
2. Dévisser la vis de montage (B) de la fiche de valeur nominale.
3. Retirer la fiche de valeur nominale (C).

Les essais diélectriques (essais haute tension, résistance de l'isolation ou avec mégohmmètre) sont utilisés pour s'assurer que l'isolement et l'isolation sont appropriés entre les phases et entre chaque phase et la terre. Le matériel employé pour effectuer ces essais crée une haute tension (des milliers de volts) pour vérifier la valeur diélectrique et l'intégrité de l'isolation.

La fiche de valeur nominale raccorde/déconnecte le déclencheur aux raccordements de tension du disjoncteur. Avant d'effectuer tout essai de haute tension, retirer la fiche de valeur nominale comme indiqué.

**REMARQUE :** Seuls les déclencheurs Micrologic P et H sont munis de raccordements phase-tension. Pour les autres types de déclencheurs, il n'est pas nécessaire de retirer la fiche de valeur nominale avant les essais diélectriques.

Figure 7 : Retrait de la fiche de valeur nominale



### ATTENTION

#### RISQUE DE DOMMAGES MATÉRIELS

N'appliquez pas la tension d'essai aux circuits de contrôle ou aux bornes d'accessoires; l'endommagement de composants électroniques ou basse tension pourrait en résulter.

**Si cette directive n'est pas respectée, cela entraînera des dommages matériels.**

#### Essai de résistance d'isolation

Des conditions d'environnement sévères peuvent réduire la rigidité diélectrique des disjoncteurs à boîtier moulé. Vérifier la résistance de l'isolation pendant un essai du système électrique.

Pour vérifier la résistance d'isolation, procéder comme suit :

1. Mettre le disjoncteur hors tension et l'isoler.
2. Nettoyer le disjoncteur comme décrit antérieurement.

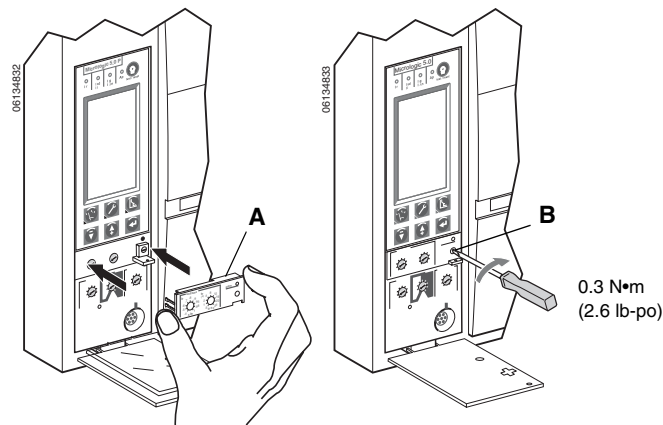
3. En utilisant un mégohmmètre avec une capacité de 500 à 1 000 V cc, appliquer la tension entre :
  - a. Chaque phase et la terre avec le disjoncteur en position de marche (I), contacts du disjoncteur fermés.
  - b. Phase à phase avec le disjoncteur en position de marche (I), contacts du disjoncteur fermés.
  - c. Entre chaque borne de ligne et charge avec le disjoncteur en position d'arrêt (O), contacts du disjoncteur ouverts.
4. Noter les valeurs de résistance. Les valeurs de résistance inférieures à un mégohm (1 000 000 Ohms) doivent être investiguées.

Après avoir terminé les essais :

1. Remettre en place la fiche de valeur nominale (A).
2. Serrer la vis de montage (B) de la fiche de valeur nominale.

**REMARQUE :** Si la fiche de valeur nominale n'est pas installée, le disjoncteur se réglera par défaut à un enclenchement de longue durée de 0,4 x le capteur (I<sub>n</sub>) et certaines des fonctions avancées ne seront pas exploitables.

**Figure 8 : Remise en place de la fiche de valeur nominale**



### Vérifications d'un déclencheur Micrologic

Le fonctionnement des déclencheurs Micrologic® des disjoncteurs qui en sont dotés peut être vérifié par des essais d'injection secondaire à l'aide de la trousse d'essai portable ou de la trousse d'essai des fonctions complètes.

L'essai d'injection secondaire ne vérifie pas les transformateurs de courant et les connexions. L'essai d'injection primaire peut être utilisé pour s'assurer que toutes les connexions du système de déclenchement ont été correctement effectuées.

Si le disjoncteur est vérifié par la méthode d'injection primaire, le système Powerlogic® peut rester raccordé au disjoncteur pendant les essais sans en affecter les résultats.

**REMARQUE :** L'essai d'un disjoncteur raccordé à un système Powerlogic entraîne ce dernier à réagir comme si le disjoncteur faisait l'expérience de défauts réels.

### Procédure de neutralisation d'un interverrouillage sélectif de zone

L'interverrouillage sélectif de zone est une méthode de communication entre des dispositifs de protection électronique de déclenchement sur surintensité. L'interverrouillage sélectif de zone permet aux dispositifs interverrouillés à des niveaux différents de fonctionner ensemble comme un système dans lequel un court-circuit ou un défaut à la terre est isolé et corrigé dans un délai minimum. L'objectif d'une neutralisation d'un interverrouillage sélectif de zone est de vérifier les caractéristiques des fonctions spécifiques de retard de déclenchement à temps court et sur défaut à la terre du disjoncteur. Pour les besoins des essais, l'interverrouillage sélectif de zone peut être inhibé sur les disjoncteurs Masterpact munis de déclencheurs Micrologic® à l'aide d'une trousse d'essai portable ou des fonctions complètes.

## Essai d'injection secondaire

L'installation sur place d'un déclencheur nécessite un essai d'injection secondaire à l'aide d'une trousse d'essai des fonctions complètes. Cela assurera que le déclencheur nouvellement installé fonctionnera correctement. L'essai impose d'ouvrir et de fermer le disjoncteur. Suivre les procédures détaillées dans les directives d'utilisation expédiées avec le disjoncteur et la trousse d'essai des fonctions complètes.

1. S'assurer que le disjoncteur est isolé de tous les dispositifs en amont et en aval.
2. Exécuter un essai d'injection secondaire comme expliqué dans les directives d'utilisation expédiées avec la trousse d'essai des fonctions complètes. Vérifier si toutes les fonctions utilisables du déclencheur fonctionnent correctement.
3. Répéter le point 2 avec le disjoncteur en position ouverte

**REMARQUE :** Ne pas fermer le disjoncteur pour ce point même si la trousse d'essai indique que le disjoncteur doit être fermé pendant l'essai.

4. Si certains essais échouent, ne pas mettre le disjoncteur en service et contacter le bureau de vente local pour obtenir un service autorisé par l'usine.

## Essai d'injection primaire

### ATTENTION

#### RISQUE DE DOMMAGES MATÉRIELS

- Les disjoncteurs sont lourds et peuvent être endommagés par suite d'une manutention inappropriée. Prenez des précautions lorsque vous manipulez ou déplacez un disjoncteur vers un appareil de vérification.
- Effectuez le raccordement d'un disjoncteur avec soin, en utilisant un câble de valeur nominale appropriée et des méthodes de raccordement adéquates. N'utilisez pas de colliers, brides ou autres méthodes pouvant rayer ou autrement endommager le fini des connecteurs.
- Lorsque vous raccordez un disjoncteur de type débrochable, utilisez une trousse d'essai d'injection primaire approuvée. Ajustez la position du disjoncteur de sorte que ses groupes de connecteurs s'alignent avec les connecteurs ou la trousse d'essai d'injection primaire.

**Si ces directives ne sont pas respectées, cela peut entraîner des dommages matériels.**

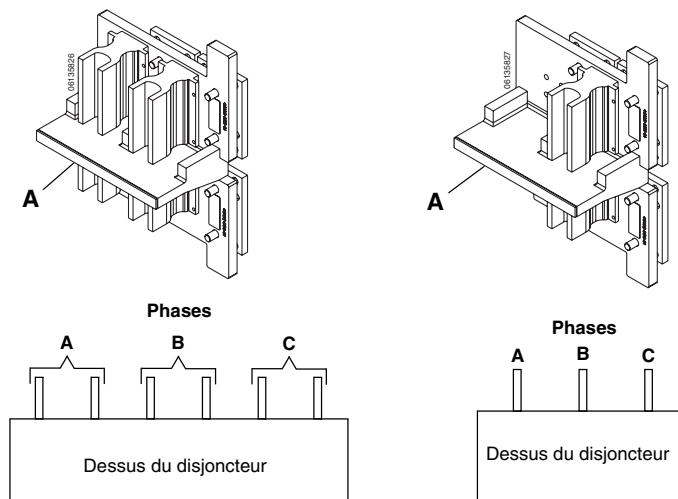
L'essai d'injection primaire peut être utilisé pour s'assurer que toutes les connexions du système de déclenchement ont été correctement effectuées.

1. En cas d'exécution d'un essai d'injection primaire sur des disjoncteurs débrochables, raccorder le disjoncteur à l'alimentation à l'aide de trousse d'essais d'injection primaire.

**Tableau 7 : Trusses d'essai d'injection primaire**

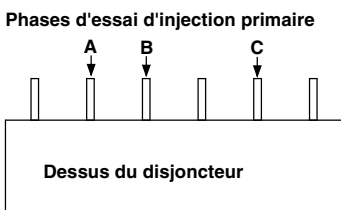
Type de disjoncteur	Alimentation	Trousse d'essai requise
Masterpact NW	Phenix	ULW10025
	À intensités multiples	ULW10026
Masterpact NT	Phenix ou à intensités multiples	ULW10027
PowerPact	Phenix ou à intensités multiples	ULW10027
Tous les types	Autre que Phenix ou à intensités multiples	Communiquer avec le service à la clientèle.

**Figure 9 : Adaptateur de l'essai d'injection primaire typique**



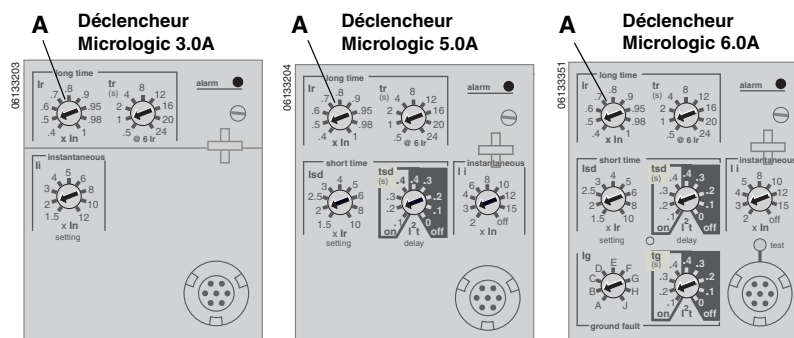
**REMARQUE : Pour les disjoncteurs de construction large uniquement**—Lors d'un essai d'injection primaire sur un disjoncteur avec six connecteurs de barre-bus, le courant est injecté dans les phases comme indiqué à la figure 10. Ne pas injecter de courant dans des barres-bus extérieures.

**Figure 10 : Disjoncteur de construction large**



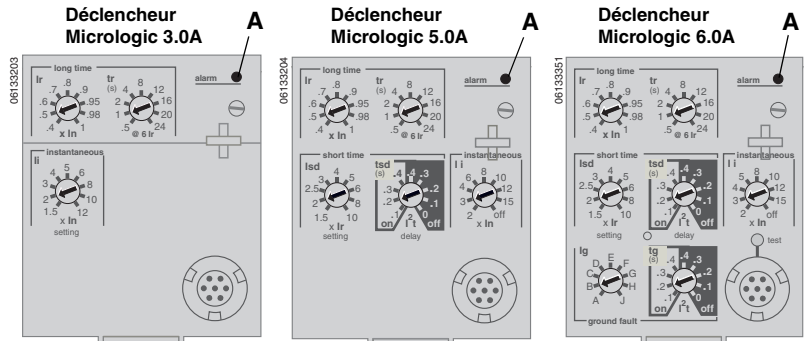
- a. Installer la trousse d'essai d'injection primaire en observant les directives expédiées avec la trousse d'essai.
  - b. Ajuster la hauteur du disjoncteur de sorte que l'arrêt (A, ci-dessus) entre les plaques supérieure et inférieure de la trousse d'essai se trouve entre les connecteurs du haut et du bas du disjoncteur quand il est en position raccordée.
  - c. Aligner le disjoncteur de façon à ce que les groupes de connecteurs sur la phase du disjoncteur en cours de vérification s'alignent avec les connecteurs de la trousse d'essai d'injection primaire.
  - d. Lubrifier les connecteurs avec de la graisse du kit numéro de catalogue S48899. Ne rien installer dans la mâchoire des groupes de connecteurs sauf une trousse d'essai approuvée.
2. En cas d'exécution d'un essai d'injection primaire sur des disjoncteurs fixes, raccorder le disjoncteur à l'alimentation en utilisant un câble de valeur nominale appropriée et une méthode de raccordement adéquate.
  3. Noter tous les réglages d'origine des commutateurs du déclencheur. (Les réglages doivent être refaits après la fin des essais).
  4. Régler le commutateur d'enclenchement de longue durée (Ir) au réglage minimum.

**Figure 11 : Noter les réglages des commutateurs**



- a. Pour les déclencheurs sur défaut de terre ou à interverrouillage sélectif de zone, utiliser la trousse d'essais portative ou des fonctions complètes pour inhiber les fonctions de défaut à la terre et d'interverrouillage sélectif de zone.
- b. Si une alimentation auxiliaire est utilisée pour le déclencheur Micrologic, débrancher l'alimentation auxiliaire.
- c. Trouver le courant d'injection primaire nécessaire en multipliant le courant d'enclenchement de longue durée (réglage d'enclenchement de longue durée  $I_r \times \text{capteur enfichable } I_n \times 1,25 \%$  (c.-à-d.,  $I_r \times I_n \times 1,25$ ).
- d. Injecter le courant primaire dans la phase A et surveiller le voyant de surcharge. Vérifier si le voyant de surcharge (A) s'allume dans la gamme de 105 % à 120 % de la valeur de  $I_r \times I_n$ .
- e. Répéter pour toutes les phases et le neutre, le cas échéant.
- f. Si un voyant lumineux de surcharge ne s'allume pas correctement, vérifier tous les raccordements du déclencheur et la configuration des essais. Si l'essai d'injection primaire du déclencheur échoue encore, s'adresser au bureau de vente local.

Figure 12 : Voyant de surcharge



**Disjoncteurs avec protection intégrale contre les défauts à la terre**

Les disjoncteurs à déclenchement électronique Micrologic® munis de la fonction de protection intégrale contre les défauts à la terre demandent une attention spéciale lors de la vérification des fonctions de surcharge et de court-circuit. Les fonctions d'essais d'injection primaire unipolaires pour la surintensité de retard inversé, à temps court et instantané, entraîneront des déclenchements sur défaut à la terre dus au chemin du courant de retour ne passant pas par le disjoncteur. Pour surmonter cette difficulté, utiliser une trousse d'essai portative ou des fonctions complètes pour neutraliser la fonction de défaut à la terre sur les disjoncteurs Masterpact ou PowerPact équipés de déclencheurs Micrologic.

**Protection contre les défauts à la terre et essais d'indication seulement pour les systèmes radiaux**

**Essai de déclenchement sur défauts à la terre**

**⚠ DANGER**

**RISQUE D'ÉLECTROCUTION, D'EXPLOSION OU D'ÉCLAIR D'ARC**

- Portez un équipement de protection personnelle (ÉPP) approprié et observez les méthodes de travail électrique sécuritaire. Voir NFPA 70E.
- Seul un personnel qualifié doit effectuer l'installation et l'entretien de cet appareil.
- Coupez toutes les alimentations de l'appareil avant d'y travailler.
- Utilisez toujours un dispositif de détection de tension à valeur nominale appropriée pour vous assurer que l'alimentation est coupée.
- Remplacez tous les dispositifs, les portes et les couvercles avant de mettre l'appareil sous tension.

**Si ces directives ne sont pas respectées, cela entraînera la mort ou des blessures graves.**

La fonction de défaut à la terre d'un disjoncteur à déclenchement électronique Micrologic® fournit une protection contre les défauts à la terre à un appareil avec des valeurs d'enclenchement et de retard réglables. La caractéristique de retard de défaut à la terre détermine combien de temps le disjoncteur attend avant d'initialiser un signal de déclenchement durant un défaut à la terre. La performance des fonctions de défauts à la terre du disjoncteur peut être vérifiée à l'aide d'une alimentation ca capable de délivrer des courants élevés, basse tension.

**Procédure d'essai**

1. Désactiver complètement et retirer le disjoncteur du service.
2. Avant les essais, noter le réglage de l'enclenchement et du retard pour toute fonction. Remettre le déclencheur aux mêmes réglages après avoir terminé la procédure des essais.
3. En cas de vérification d'un disjoncteur équipé d'un interverrouillage sélectif de zone, suivre la procédure pour neutraliser l'interverrouillage sélectif de zone indiquée à la page 116. En cas d'utilisation d'une trousse d'essai d'injection secondaire pour ces essais, lire et suivre attentivement les directives de la trousse d'essai concernant l'interverrouillage sélectif de zone.

**REMARQUE :** Ne pas neutraliser l'interverrouillage sélectif de zone aboutira à une imprécision des temps de déclenchement.

FRANÇAIS



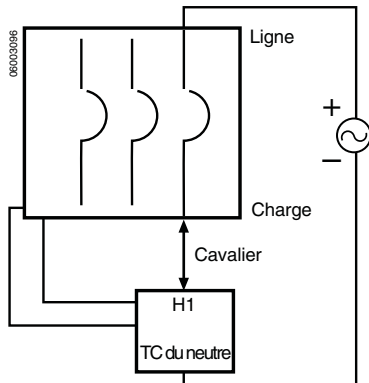
4. Utiliser ces réglages pour l'essai:
  - Enclenchement de longue durée/Intensité nominale = Max.
  - Retard de longue durée/Surcharge = Max
  - Retard de courte durée /Court-circuit = Max. ( $I^2t$  IN ou ON)
  - Instantané = Max.
  - Enclenchement sur défaut à la terre = Min.
  - Retard de défaut à la terre = 0,2
5. Suivre la procédure de raccordement appropriée pour l'application de l'essai.
 

Pour les disjoncteurs sans transformateur de courant de neutre, passer au point 8.

Pour les disjoncteurs avec la fonction de défaut à la terre intégrée dans un système triphasé à quatre fils, un transformateur de courant (TC) de neutre monté en externe doit être utilisé. Le TC de neutre est raccordé au disjoncteur par un câble blindé (un fil de calibre 14 AWG [2,08 mm<sup>2</sup>] est recommandé).

**REMARQUE :** Lors d'un essai, déconnecter ou couper l'alimentation de commande de 24 Vcc vers F1 et F2, si ainsi équipé, et déconnecter la trousse d'essai portable ou des fonctions complètes du déclencheur, si elle est connectée.

**Figure 13 : Schéma de raccordement d'essai pour un essai de mise en phase du TC de neutre**

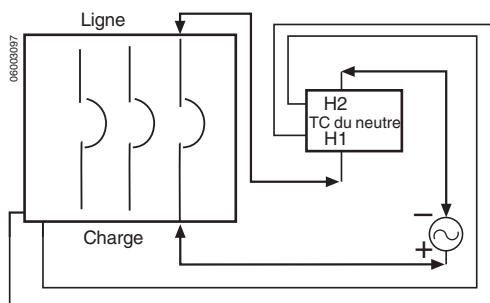


Voir les directives d'utilisation du disjoncteur pour les raccordements au disjoncteur et au TC de neutre.

6. Vérifier que la séquence des phases du TC de neutre est correcte (systèmes triphasés à quatre fils) en effectuant un essai de non déclenchement comme suit:
  - a. Raccorder le disjoncteur et le TC de neutre comme indiqué à la figure 13. Le cavalier doit aller du raccordement local sur le disjoncteur au raccordement H1 sur le TC de neutre CT (ou sur le côté du TC de neutre avec un point rouge). Raccorder le secondaire du TC de neutre conformément au manuel de directives du disjoncteur ou aux directives du TC de neutre.
  - b. Appliquer le courant au-dessus du niveau d'enclenchement d'un défaut à la terre et le maintenir plus longtemps que le retard de défaut à la terre.
  - c. Le disjoncteur ne doit pas se déclencher. L'absence de déclenchement indique que le TC de phase ainsi que le TC de neutre sont connectés correctement.

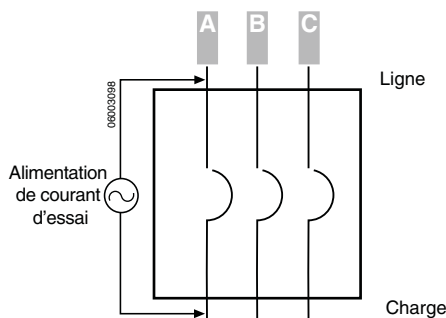


**Figure 14 : Schéma de raccordement d'essai pour un essai de taille du TC de neutre**

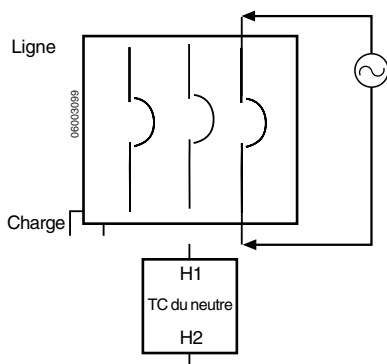


Voir les directives d'utilisation du disjoncteur pour les raccordements au disjoncteur et au TC de neutre.

**Figure 15 : Schéma de raccordement d'essai pour un disjoncteur sans TC de neutre**



**Figure 16 : Schéma de raccordement d'essai pour un essai d'enclenchement et de retard de défaut à la terre**



7. Vérifier que la taille du TC de neutre est correcte (systèmes triphasés à quatre fils) en effectuant un essai de déclenchement comme suit:
  - a. Raccorder le disjoncteur et le TC de neutre comme indiqué à la figure 14. Raccorder la borne de polarité (+) de l'unité d'injection de courant élevé au côté charge du disjoncteur, le cavalier doit aller du raccordement de la ligne sur le disjoncteur au raccordement H1 sur le TC de neutre (ou le côté du TC de neutre avec le point rouge). Raccorder la borne de non polarité (-) de l'unité d'injection de courant élevé à H2 sur le TC de neutre (sur le côté ligne du disjoncteur). Raccorder le secondaire du TC de neutre conformément au manuel de directives du disjoncteur ou aux directives du TC de neutre.
  - b. Appliquer le courant.
  - c. Le disjoncteur doit se déclencher à la moitié de la valeur de l'enclenchement d'un défaut à la terre. Un déclenchement indique que le TC de phase et le TC de neutre ont le même rapport de spires (même taille).

8. Vérifier l'enclenchement et le retard de défaut à la terre en effectuant un essai de déclenchement comme suit:
  - a. Raccorder le disjoncteur comme indiqué à la figure 15, (systèmes triphasés à trois fils) ou à la figure 16 (systèmes triphasés à quatre fils).

**REMARQUE :** La méthode recommandée d'essai d'enclenchement et de retard de défaut à la terre est la méthode « d'impulsion ». Cette méthode sera la plus précise, mais nécessite que l'appareil d'essai soit muni d'un oscilloscope étalonné à retenue d'image ou d'un ampèremètre numérique à cadence d'échantillonnage rapide. Un chronomètre précis est nécessaire pour enregistrer le retard.

  - b. Après avoir raccordé et fermé le circuit correctement, appliquer le courant en impulsions courtes d'une durée de 10 cycles. En démarrant à 70 % de la valeur de déclenchement envisagée, augmenter le courant à chaque impulsion suivante jusqu'à ce que le disjoncteur se déclenche.

- c. Refermer le disjoncteur et réduire le niveau du courant; lancer une autre impulsion afin de déterminer si le niveau d'enclenchement trouvé était dépassé.
- d. Répéter les points b et c pour isoler davantage le point d'enclenchement.
- e. Pour déterminer le retard, essayer chaque pôle du disjoncteur individuellement à 150 % du réglage d'enclenchement de défaut à la terre. Surveiller le temps à compter du point d'enclenchement jusqu'à ce que le disjoncteur se déclenche pour obtenir le retard.
- f. Noter les valeurs d'enclenchement et de retard et comparer les résultats à la courbe de déclenchement.

L'essai de défaut à la terre peut se faire également à l'aide d'un essai d'injection secondaire en utilisant la trousse d'essai des fonctions complètes. L'essai d'injection secondaire ne vérifie pas les transformateurs de courant et les raccordements.

**Tableau 8 : Valeur maximum de résistance par pôle en micro-Ohms**

PowerPact		Micro-ohms (µohm)
Type	Val. nom.	
DG, DJ, DL	400	240
	600	140
PG, PJ, PK, PL	250	488
	400	200
	600	114
	800	78
	1000	55
	1200	39
RG, RJ, RK, RL	600	106
	800	81
	1000	63
	1200	53
	1600	50
	2000	38
2500	33	
Masterpact		Micro-ohms (µohm)
Type	Débrochable	Fixe
NT06—NT10 H1/H2/L1	38/72	26.39
NT12—NT16 H1/H2	36	26
NW08 N1	42	19
NW08 H/L	30	13
NW10 N1	42	19
NW10 H/L	30	13
NW12 N1	42	19
NW12 H/L	27	13
NW16 N1	37	19
NW16 H/L	27	13
NW20 H/L	27	13
NW25 H1/H2/H3	19	8
NW 32 H1/H2/H3	13	8
NW40 H1/H2/H3	11	8
NW40b, NW50, NW63	7	5

### Essai de résistance des contacts

Les essais de résistance des pôles d'un disjoncteur ne sont pas des indicateurs fiables de la performance du disjoncteur parce que les valeurs de résistance sont influencées par un certain nombre de facteurs transitoires, notamment l'oxydation des surfaces de contact, la présence de corps étrangers entre les contacts et les méthodes d'essais. Le paragraphe 6.4.1 de NEMA AB 4 précise: « La chute de tension en millivolts d'un pôle de disjoncteur peut varier de façon notable par suite de la variabilité inhérente due à la très faible résistance des contacts et connecteurs électriques. De telles variations ne prédisent pas nécessairement une performance inacceptable et ne doivent pas être utilisées comme seul critère pour déterminer l'acceptabilité ».

Une résistance élevée des pôles peut être également causée par des contacts érodés, une force de contact faible et une terminaison desserrée. Le seul de ces facteurs à être vraisemblablement présent sur un disjoncteur neuf est une terminaison desserrée, du fait que les contacts sont neufs et que la pression des contacts n'a eu aucune occasion de se dérégler depuis le réglage à l'usine. Une terminaison desserrée peut être corrigée sur place.

Si un essai de résistance des contacts est effectué, il est important de le faire après le conditionnement des contacts par un essai d'injection primaire instantanée afin de s'assurer que les contacts ne montrent aucun film résistif, aucune oxydation et ne comportent pas de corps étrangers. Si le disjoncteur a été en service sans problèmes de performance (surchauffe ou déclenchement intempestif), les mesures de résistance des contacts sont superflues et de peu de valeur.

Square D recommande d'utiliser un ohmmètre numérique à faible résistance DLRO (Digital Low Resistance Ohmmeter), avec un courant d'essai cc de 10 A pour les disjoncteurs d'une intensité nominale inférieure à 100 A, et un courant cc de 100 A pour les disjoncteurs d'une intensité nominale de 100 A et au-dessus. La valeur médiane (du milieu) de trois relevés (en basculant la manette du disjoncteur entre chaque relevé) doit être notée pour chaque pôle essayé. Si cette valeur est égale ou inférieure à la valeur indiquée dans le tableau 8, le pôle est acceptable. Si le relevé est supérieur, la cause doit être recherchée et corrigée si possible. Contacter le bureau des ventes local pour plus de renseignements.

### Retirer les raccords d'essai

Dès la fin des essais:

- Retirer les raccords d'essai du disjoncteur.
- Inspecter les raccords afin de voir s'ils ont été endommagés par les essais.
- Pour les disjoncteurs débrochables, inspecter, lubrifier et régler les groupes de connecteurs avant d'installer le disjoncteur, se reporter à la page 107.
- Remettre le commutateur d'enclenchement de longue durée à ses réglages d'origine, telle que notée ci-dessus.
- Si une alimentation auxiliaire est utilisée pour le déclencheur Micrologic, rebrancher l'alimentation auxiliaire.

### Renseignements supplémentaires

Pour plus de renseignements sur les disjoncteurs Square D, se reporter au manuel de directives approprié. Ces manuels contiennent des directives d'installation, des renseignements de montage, des mesures de sécurité, des schémas de câblage et des tableaux de dépannage pour des disjoncteurs spécifiques.

## Section 5—Essais de performance des disjoncteurs à déclenchement électronique (sauf Masterpact® et PowerPact®)

### Essais de performance des disjoncteurs en général

#### **⚠ DANGER**

##### **RISQUE D'ÉLECTROCUTION, D'EXPLOSION OU D'ÉCLAIR D'ARC**

- Portez un équipement de protection personnelle (ÉPP) approprié et observez les méthodes de travail électrique sécuritaire. Voir NFPA 70E.
- Seul un personnel qualifié doit effectuer l'installation et l'entretien de cet appareil.
- Coupez toutes les alimentations de l'appareil avant d'y travailler.
- Utilisez toujours un dispositif de détection de tension à valeur nominale appropriée pour vous assurer que l'alimentation est coupée.
- Remplacez tous les dispositifs, les portes et les couvercles avant de mettre l'appareil sous tension.
- Ne touchez pas les bornes ou fils de connexion d'essai d'un disjoncteur alors que celui-ci est en cours de vérification.

**Si ces directives ne sont pas respectées, cela entraînera la mort ou des blessures graves.**

#### **ATTENTION**

##### **RISQUE DE DOMMAGES MATÉRIELS**

N'appliquez pas la tension d'essai aux circuits de contrôle ou aux bornes d'accessoires; l'endommagement de composants électroniques ou basse tension pourrait en résulter.

**Si cette directive n'est pas respectée, cela entraînera des dommages matériels.**

Effectuer les essais de performance dans l'ordre donné pour maximiser la précision des résultats des essais.

**REMARQUE :** Ne jamais faire un essai de résistance des contacts avant d'avoir fait des essais d'injection primaire instantanée. Les essais d'injection primaire assureront que les contacts ne montrent aucun signe de film résistif, d'oxydation et de présence de corps étrangers.

Les essais suivants sont destinés à vérifier le bon fonctionnement d'un disjoncteur. Des conditions d'essais contrôlées de façon précise par l'usine sont utilisées pour établir les courbes des caractéristiques du déclenchement. Si les résultats d'essais sur place tombent en dehors de la bande de tolérance pour les caractéristiques des courbes de déclenchement, évaluer la précision des conditions et méthodes d'essais avec attention.

Lorsque des conditions ou résultats douteux sont observés au cours d'une inspection et d'essais de performance, consulter le bureau des ventes local. Les disjoncteurs dotés d'accessoires ou modifiés à l'usine peuvent exiger une investigation spéciale. S'il est nécessaire de renvoyer un disjoncteur à l'établissement de fabrication, employer un emballage et des matériaux d'emballage appropriés pour éviter tout endommagement durant le transport.

#### **Essai de résistance d'isolation**

Des conditions d'environnement sévères peuvent réduire la rigidité diélectrique des disjoncteurs à boîtier moulé. Vérifier la résistance de l'isolation pendant un essai du système électrique.

Pour vérifier la résistance d'isolation, procéder comme suit :

1. Mettre le disjoncteur hors tension et l'isoler.
2. Nettoyer le disjoncteur comme décrit antérieurement.
3. En utilisant un mégohmmètre avec une capacité de 500 à 1 000 V cc, appliquer la tension entre :
  - a. Chaque phase et la terre avec le disjoncteur en position de marche (I), contacts du disjoncteur fermés.
  - b. Phase à phase avec le disjoncteur en position de marche (I), contacts du disjoncteur fermés.
  - c. Entre chaque borne de ligne et charge avec le disjoncteur en position d'arrêt (O), contacts du disjoncteur ouverts.
4. Noter les valeurs de résistance. Les valeurs de résistance inférieures à un mégohm (1 000 000 Ohms) doivent être investiguées.

## Essais des disjoncteurs à déclenchement électronique Micrologic®

### ⚠ DANGER

#### RISQUE DE DOMMAGES MATÉRIELS

- Les disjoncteurs sont lourds et peuvent être endommagés par suite d'une manutention inappropriée. Prenez des précautions lorsque vous manipulez ou déplacez un disjoncteur vers un appareil de vérification.
- Effectuez le raccordement d'un disjoncteur avec soin, en utilisant un câble de valeur nominale appropriée et des méthodes de raccordement adéquates. N'utilisez pas de colliers, brides ou autres méthodes pouvant rayer ou autrement endommager le fini des connecteurs.

**Si ces directives ne sont pas respectées, cela peut entraîner des dommages matériels.**

#### Essai de déclenchement de longue durée

L'intensité nominale de longue durée définit le niveau maximum de courant que le disjoncteur supportera de façon continue. Les disjoncteurs à déclenchement électronique Micrologic® s'enclenchent et commencent à enregistrer le temps dès qu'un courant de phase dépasse  $110\% \pm 10\%$  de l'intensité nominale. La fonction de retard de longue durée permet des variations de la caractéristique du délai à retard inversé du disjoncteur. Ce délai détermine pendant combien de temps le disjoncteur supportera une surintensité soutenue avant d'initialiser un signal de déclenchement. La performance des fonctions de surintensité de retard inversé du disjoncteur peut être vérifiée à l'aide d'une alimentation capable de délivrer un courant élevé, basse tension.

1. Désactiver complètement et retirer le disjoncteur du service.
2. Avant les essais, noter les réglages d'enclenchement et de retard pour toutes les fonctions. Important : remettre le déclencheur à ces mêmes réglages après avoir accompli la procédure de vérification.
3. Si le disjoncteur Micrologic est doté de la fonction de protection intégrale contre les défauts à la terre, se reporter aux procédures de vérification pour les disjoncteurs ainsi équipés, à la page 127, avant de continuer la procédure de vérification.
4. Utiliser les réglages suivants pour l'essai:  
Enclenchement de longue durée/Intensité nominale = Max.  
Retard de longue durée/Surcharge = Min.  
Retard de courte durée /Court-circuit = Max. ( $I^2t$  IN ou ON)  
Instantané = Max.

**REMARQUE :** L'étiquetage et les fonctions du déclencheur sont spécifiés par les numéros de série et de catalogue du disjoncteur. Les numéros de série et de catalogue sont imprimés sur le disjoncteur.

5. Raccorder le disjoncteur à une alimentation ca capable de délivrer un courant élevé, basse tension. Raccorder le disjoncteur à une source d'alimentation d'essai à l'aide de tout câblage de longueur convenable et de calibre adéquat.
6. Vérifier toutes les phases du disjoncteur individuellement, ou par paires, pour les disjoncteurs munis de la protection intégrale contre les défauts à la terre comme requis dans les procédures de vérification spéciales à la page 127.
7. Utiliser la méthode d'essai à « accroissement » lent pour déterminer le niveau d'enclenchement. Augmenter lentement le courant jusqu'à ce que le voyant d'enclenchement de longue durée brille de façon continue; ceci est défini comme le niveau d'enclenchement.

**REMARQUE :** Tous les disjoncteurs à déclenchement électronique Micrologic sont munis d'une mémoire de longue durée/surcharge ou d'une imagerie thermique. La mémoire de longue durée/surcharge peut être remise à zéro à l'aide du module approprié de remise à zéro de la mémoire. Consulter le bureau de vente local pour obtenir des renseignements supplémentaires sur les modules de remise à zéro de la mémoire et les trousseaux d'essai. Si le module de remise à zéro de la mémoire n'est pas utilisé, attendre au moins 15 minutes pour permettre à la mémoire de s'effacer et de se remettre à zéro avant de continuer les essais.

8. Pour déterminer le délai de déclenchement, régler le courant à 300 % de la valeur nominale de l'intensité. Surveiller le temps depuis le point d'enclenchement jusqu'au déclenchement du disjoncteur; c'est le délai de déclenchement.
9. Noter les valeurs de l'enclenchement et du retard et comparer les à la courbe de déclenchement appropriée.

L'essai de déclenchement de longue durée peut aussi se faire à l'aide de la trousse d'essai d'injection secondaire UTS-3. Ces appareils d'essai d'injection secondaire ne vérifient pas les transformateurs de courant et les raccordements.

#### Essai de déclenchement de courte durée

La caractéristique d'enclenchement de courte durée d'un disjoncteur à déclenchement électronique Micrologic ajuste le niveau de courant auquel le retard de courte durée commence à enregistrer le temps. Les niveaux d'enclenchement de courte durée sont des multiples de la taille des capteurs par le multiplicateur de la fiche de valeur nominale. La fonction de retard de courte durée détermine pendant combien de temps le disjoncteur attendra avant d'initialiser un signal de déclenchement pendant un court-circuit. La performance des fonctions de courte durée du disjoncteur peut être vérifiée à l'aide d'une alimentation ca capable de délivrer un courant élevé, basse tension.

1. Dans le cas d'essai d'un disjoncteur équipé d'un interverrouillage sélectif de zone, suivre la procédure pour neutraliser l'interverrouillage sélectif de zone décrite à la page 128. En cas d'utilisation d'une trousse d'essai d'injection secondaire pour ces essais, lire et observer attentivement les directives de la trousse d'essai sur l'interverrouillage sélectif de zone.

**REMARQUE :** Ne pas neutraliser l'interverrouillage sélectif de zone entraînera un déclenchement sans retard intentionnel.

2. Si le déclencheur du disjoncteur Micrologic est muni de la fonction de protection intégrale contre les défauts à la terre, se reporter aux procédures de vérification pour un disjoncteur muni de cette fonction, à la page 127, avant de continuer.
3. Les disjoncteurs débrochables SE dotés de la fonction de protection intégrale contre les défauts à la terre requièrent une fiche adaptatrice (numéro de catalogue SEPITK2) lorsqu'ils sont complètement retirés de la cellule. La fiche adaptatrice fait les raccordements de cavaliers nécessaires sur le circuit secondaire. Ces raccordements de cavaliers sont normalement faits quand le disjoncteur est en position connectée. Suivre les directives fournies avec la fiche pour assurer une application correcte.
4. Utiliser les réglages suivants pour l'essai:  
Enclenchement de longue durée/Intensité nominale = Max.  
Retard de longue durée/Surcharge = Max  
Enclenchement de courte durée/Court-circuit = Min.  
Retard de courte durée/Court-circuit = Min.  
Instantané = Max.

**REMARQUE :** Pour les déclencheurs LE série 1B, ME séries 3, 4, 5, 5A, 5B, NE séries 1, 2, 3, 3A, 3B, PE séries 4, 5, 6, 6A, 6B et SE séries 2, 3, 3A, 3B, le réglage minimum de courte durée/court-circuit sera 0,1 I<sup>2</sup>t OUT.

5. Raccorder le disjoncteur à la source d'essai à l'aide de toute longueur convenable de conducteur.
6. Pour les disjoncteurs sans protection contre les défauts à la terre, essayer tous les pôles du disjoncteur individuellement. Pour les disjoncteurs munis de la protection intégrale contre les défauts à la

terre, essayer chaque pôle du disjoncteur comme noté dans la procédure de vérification spéciale indiquée à la page 127.

#### 7. Essai d'enclenchement de courte durée

Après avoir raccordé le disjoncteur de façon appropriée, injecter dans la phase soumise à l'essai une valeur de courant juste en dessous de la valeur d'enclenchement minimale indiquée par la courbe de déclenchement. La durée du courant d'essai doit être plus longue que le temps du délai de déclenchement envisagé (déterminé à partir de la courbe de déclenchement). Le disjoncteur ne devrait pas se déclencher. Répéter l'essai en utilisant la valeur d'enclenchement maximale indiquée par la courbe de déclenchement. Le disjoncteur devrait se déclencher, indiquant un niveau d'enclenchement acceptable. Si le disjoncteur ne se déclenche pas dans le délai attendu, terminer l'essai afin d'éviter un endommagement thermique du disjoncteur. Si une valeur précise d'enclenchement est désirée, répéter l'essai à des niveaux de courant entre le maximum et le minimum. La valeur de courant la plus basse à laquelle le disjoncteur se déclenche est la valeur d'enclenchement.

#### 8. Essai de retard de courte durée

Après avoir raccordé le disjoncteur de façon appropriée, appliquer 150 % de la valeur nominale d'enclenchement de courte durée. Le disjoncteur devrait se déclencher dans les limites de temps définies par la courbe de déclenchement. Si le disjoncteur ne se déclenche pas dans les limites de temps attendues, débrancher l'alimentation afin d'éviter un endommagement thermique du disjoncteur.

**REMARQUE :** Tous les disjoncteurs à déclenchement électronique Micrologic sont munis d'une mémoire de longue durée/surcharge ou d'une imagerie thermique. Les impulsions de surintensité utilisées pour vérifier l'enclenchement et le délai de courte durée s'ajoutent à cette mémoire. Si le disjoncteur se déclenche à une valeur de courant plus basse que celle envisagée après plusieurs impulsions de surintensité, il est possible qu'il se déclenche sur la fonction de longue durée. La mémoire de longue durée/surcharge peut être remise à zéro à l'aide du module approprié de remise à zéro de la mémoire. Si le module de remise à zéro de la mémoire n'est pas utilisé, attendre au moins 15 minutes pour permettre à la mémoire de s'effacer et de se remettre à zéro avant de continuer les essais.

L'essai de déclenchement de courte durée peut aussi se faire à l'aide de la trousse d'essai d'injection secondaire UTS-3. Ces appareils d'essai d'injection secondaire ne vérifient pas les transformateurs de courant et les raccordements.

#### Essai du déclenchement instantané

La fonction de déclenchement instantané d'un disjoncteur à déclenchement électronique Micrologic détermine le niveau de courant auquel le disjoncteur se déclenche sans retard intentionnel. La fonction instantanée du disjoncteur peut être vérifiée à l'aide d'une alimentation ca capable de délivrer un courant élevé, basse tension.

1. Si le disjoncteur Micrologic est muni de la fonction de protection intégrale contre les défauts à la terre, se reporter aux procédures de vérification pour le disjoncteur ainsi muni, à la page 127, avant de continuer.
2. Pour les disjoncteurs sans protection contre les défauts à la terre, essayer tous les pôles du disjoncteur individuellement. Pour les disjoncteurs munis de la fonction de protection intégrale contre les défauts à la terre, essayer chaque pôle du disjoncteur comme noté dans la procédure de vérification spéciale à la page 127.

- Après avoir raccordé et réglé le disjoncteur de façon appropriée, appliquer le courant en impulsions d'environ 10 cycles. Démarrer à 70 % de la valeur de déclenchement attendue, augmenter le courant dans chaque impulsion suivante jusqu'à ce que le disjoncteur se déclenche.

**REMARQUE :** Tous les disjoncteurs à déclenchement électronique Micrologic sont munis d'une mémoire de longue durée/surcharge ou d'une imagerie thermique. Les impulsions de surintensité sont utilisées pour vérifier l'enclenchement et le délai de courte durée et s'ajoutent à cette mémoire. Si le disjoncteur se déclenche à une valeur de courant plus basse que celle attendue après plusieurs impulsions de surintensité, il est possible qu'il se déclenche sur la fonction de longue durée. La mémoire de longue durée/surcharge peut être remise à zéro à l'aide du module approprié de remise à zéro de la mémoire. Si le module de remise à zéro de la mémoire n'est pas utilisé, attendre au moins 15 minutes pour permettre à la mémoire de s'effacer et de se remettre à zéro avant de continuer les essais.

- Comparer la valeur d'enclenchement à la courbe de déclenchement pour le disjoncteur vérifié.

L'essai de déclenchement instantané peut aussi se faire à l'aide de la trousse d'essai d'injection secondaire UTS-3. Ces appareils d'essai d'injection secondaire ne vérifient pas les transformateurs de courant et les raccordements.

Les disjoncteurs à déclenchement électronique Micrologic munis de la fonction de protection intégrale contre les défauts à la terre demandent une attention spéciale lors de la vérification des fonctions de surcharge et de court-circuit. Les fonctions d'essais d'injection primaire unipolaires pour la surintensité à retard inversé, à temps court et instantané, entraîneront des déclenchements sur défaut à la terre dus au chemin du courant de retour ne passant pas par le disjoncteur. Pour surmonter cette difficulté, utiliser la méthode de bouclage pour les disjoncteurs Micrologic munis de la fonction de protection intégrale contre les défauts à la terre.

**Méthode de bouclage:**

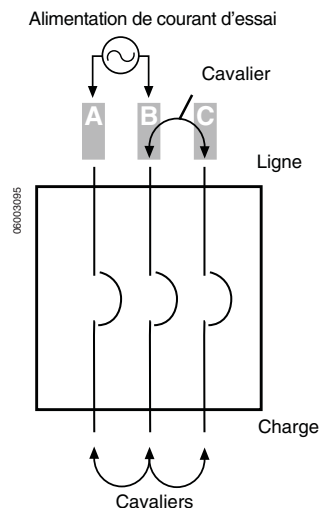
Boucler le courant, comme indiqué à la figure 17, équilibre la quantité de courant qui entre dans le disjoncteur et qui en sort. Cela, comme conséquence, élimine les déclenchements sur défaut à la terre en maintenant le transformateur de défaut à la terre équilibré. La vérification des pôles successifs peut être faite en variant les raccordements (boucle AC, AB, BC).

**Exceptions:**

Pour les disjoncteurs fixes SE, raccorder les bornes 16, 17, 18 et 19 ensemble pour neutraliser le défaut à la terre pour le besoin des essais. Pour les disjoncteurs SE débrochables, utiliser la fiche adaptatrice SEPITK2 pour faire les raccordements nécessaires.

**Disjoncteurs avec protection intégrale contre les défauts à la terre**

**Figure 17 : Procédures de vérification spéciales de surcharge et de court-circuit**



## Procédure pour les disjoncteurs utilisés avec les systèmes Powerlogic®

Les disjoncteurs LE, ME, NE, PE et SE raccordés à un système Powerlogic® sont raccordés via un adaptateur de communication (numéro de catalogue CIM3F). Si le disjoncteur est vérifié par la méthode d'injection primaire, le système Powerlogic peut rester raccordé au disjoncteur pendant l'essai sans affecter les résultats.

**REMARQUE :** L'essai d'un disjoncteur raccordé à un système Powerlogic fait ce dernier réagir comme si le disjoncteur subissait des défauts réels.

En cas d'exécution d'un essai d'injection secondaire à l'aide d'un ensemble d'essai UTS3, le système Powerlogic doit être déconnecté du disjoncteur. Cela se fait en déconnectant le raccordement par fiche à 4 broches sur l'adaptateur. L'ensemble d'essai indiquera que l'essai a échoué si le système Powerlogic reste connecté pendant l'essai. Une fois l'essai terminé, rebrancher la fiche à 4 broches sur l'adaptateur. Suivre les directives pour la version de logiciel du Powerlogic installée sur le système pour s'assurer que la communication avec le disjoncteur a été rétablie.

## Procédure de neutralisation de l'interverrouillage sélectif de zone

L'interverrouillage sélectif de zone est une méthode de communication entre des dispositifs de protection électronique de déclenchement sur surintensité. L'interverrouillage sélectif de zone permet aux dispositifs interverrouillés à des niveaux différents de fonctionner ensemble comme un système dans lequel un court-circuit ou un défaut à la terre est isolé et corrigé dans un délai minimum. L'objectif d'une neutralisation d'un interverrouillage sélectif de zone est de vérifier les caractéristiques des fonctions spécifiques de retard de déclenchement à temps court et sur défaut à la terre du disjoncteur. Cela est accompli en déconnectant le câblage d'entrave en installant des cavaliers comme requis. Cela entrave automatiquement le disjoncteur en cours de vérification. Étiqueter les fils d'entrave avant de déconnecter.

Le tableau 9 donne les directives d'auto-entrave (cavalier) pour chacun des disjoncteurs munis de déclencheurs Micrologic. Utiliser du fil de calibre 14 à 18 AWG (1 à 2,1 mm<sup>2</sup>).

**Tableau 9 : Réglages d'auto-entrave**

Type de disjoncteur / Série du déclencheur	Fonction (ST ou GF)	Connecter la borne (Entraver l'entrée [IN])	À la borne (Entraver la sortie [OUT])
LE 1B	Courte durée (ST)	#5	#6
LE 1B	Défaut à la terre (GF)	#7	#8
ME 3	Les deux	Fil violet	Fil violet
ME 4, 5, 5A, 5B	Courte durée (ST)	#5	#6
ME 4, 5, 5A, 5B	Défaut à la terre (GF)	#7	#8
NE 1	Les deux	#6	#7
NE 2, 3, 3A, 3B	Courte durée (ST)	#5	#6
NE 2, 3, 3A, 3B	Défaut à la terre (GF)	#7	#8
PE 4	Les deux	#6	#7
PE 5, 6, 6A, 6B	Courte durée (ST)	#5	#6
PE 5, 6, 6A, 6B	Défaut à la terre (GF)	#7	#8
SE 2, 3, 3A, 3B (fixe et débrosable)	Les deux	#23	#24
SE 2, 3, 3A, 3B (fixe et débrosable)	Défaut à la terre (GF)	#20	#21
SE débrosable (retiré complètement du compartiment)	Les deux	Utiliser SEPTIK2 (voir la page 133).	Utiliser SEPTIK2 (voir la page 133).

**REMARQUE :** Si des cavaliers d'auto-entrave sont installés pour neutraliser un interverrouillage sélectif de zone pour le besoin des essais, retirer les cavaliers quand les essais sont terminés. Tous fils d'entrave déconnectés pour l'essai doivent être reconnectés à ce moment-là.



**Protection contre les défauts à la terre et essais d'indication  
seulement pour les systèmes radiaux**

**Essai de déclenchement sur défauts à la terre**

**⚠ DANGER**

**RISQUE D'ÉLECTROCUTION,  
D'EXPLOSION OU D'ÉCLAIR D'ARC**

- Portez un équipement de protection personnelle (ÉPP) approprié et observez les méthodes de travail électrique sécuritaire. Voir NFPA 70E.
- Seul un personnel qualifié doit effectuer l'installation et l'entretien de cet appareil.
- Coupez toutes les alimentations de l'appareil avant d'y travailler.
- Utilisez toujours un dispositif de détection de tension à valeur nominale appropriée pour vous assurer que l'alimentation est coupée.
- Remplacez tous les dispositifs, les portes et les couvercles avant de mettre l'appareil sous tension.

**Si ces directives ne sont pas respectées, cela entraînera la mort ou des blessures graves.**

La fonction de défaut à la terre d'un disjoncteur à déclenchement électronique Micrologic fournit une protection contre les défauts à la terre à un appareil avec des valeurs d'enclenchement et de retard réglables. La caractéristique de retard de défaut à la terre détermine combien de temps le disjoncteur attend avant d'initialiser un signal de déclenchement durant un défaut à la terre. La performance des fonctions de défauts à la terre du disjoncteur peut être vérifiée à l'aide d'une alimentation ca capable de délivrer des courants élevés, basse tension.

Les disjoncteurs SE débroschables avec la fonction intégrée d'essai de défaut à la terre requièrent une fiche adaptatrice (numéro de catalogue Square D SEPITK2) quand le disjoncteur est complètement retiré du compartiment. La fiche adaptatrice fera les raccordements de cavalier nécessaires sur le circuit secondaire. Ces raccordements de cavalier sont normalement faits quand le disjoncteur est en position connectée. Suivre les directives fournies avec la fiche adaptatrice pour assurer une application correcte.

**Procédure d'essai**

1. Désactiver complètement et retirer le disjoncteur du service.
2. Avant les essais, noter le réglage de l'enclenchement et du retard pour toutes les fonctions. Remettre le déclencheur aux mêmes réglages après avoir terminé la procédure des essais.
3. En cas de vérification d'un disjoncteur équipé d'un interverrouillage sélectif de zone, suivre la procédure pour neutraliser l'interverrouillage sélectif de zone indiquée à la page 128. En cas d'utilisation d'une trousse d'essai d'injection secondaire pour ces essais, lire et suivre attentivement les directives de la trousse d'essai concernant l'interverrouillage sélectif de zone.

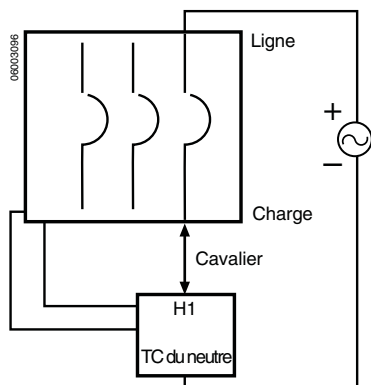
**REMARQUE :** Ne pas neutraliser l'interverrouillage sélectif de zone aboutira à une imprécision des temps de déclenchement.

4. Utiliser ces réglages pour l'essai:  
Enclenchement de longue durée/Intensité nominale = Max.  
Retard de longue durée/Surcharge = Max  
Retard de courte durée /Court-circuit = Max. ( $I^2t$  IN ou ON)  
Instantané = Max.  
Enclenchement sur défaut à la terre = Min.  
Retard sur défaut à la terre = Min. ( $I^2t$  OUT ou OFF)

**REMARQUE :** Ne pas utiliser le réglage INSTANTANÉ pour le retard de défaut à la terre. Sur les disjoncteurs SE de la série 2, utiliser le réglage de retard de défaut à la terre « 2 ».

5. Suivre la procédure de raccordement appropriée pour l'application de l'essai.  
Pour les disjoncteurs sans transformateur de courant de neutre, passer au point 8.  
Pour les disjoncteurs avec la fonction de défaut à la terre intégrale dans un système triphasé à quatre fils, un transformateur de courant (TC) de neutre monté en externe doit être utilisé. Le TC de neutre est raccordé au disjoncteur par un câble blindé (un fil de calibre 14 AWG [2,08 mm<sup>2</sup>] est recommandé).

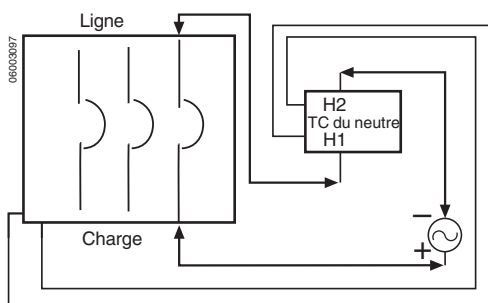
**Figure 18 : Schéma de raccordement d'essai pour un essai de mise en phase du TC de neutre**



Voir les directives d'utilisation du disjoncteur pour les raccordements au disjoncteur et au TC de neutre.

6. Vérifier que la séquence des phases du TC de neutre est correcte (systèmes triphasés à quatre fils) en effectuant un essai de non déclenchement comme suit:
  - a. Raccorder le disjoncteur et le TC de neutre comme indiqué à la figure 18. Le cavalier doit aller du raccordement local sur le disjoncteur au raccordement H1 sur le TC de neutre CT (ou sur le côté du TC de neutre avec un point rouge). Raccorder le secondaire du TC de neutre conformément au manuel de directives du disjoncteur ou aux directives du TC de neutre.
  - b. Appliquer le courant au-dessus du niveau d'enclenchement d'un défaut à la terre et le maintenir plus longtemps que le retard de défaut à la terre.
  - c. Le disjoncteur ne doit pas se déclencher. L'absence de déclenchement indique que le TC de phase ainsi que le TC de neutre sont connectés correctement.

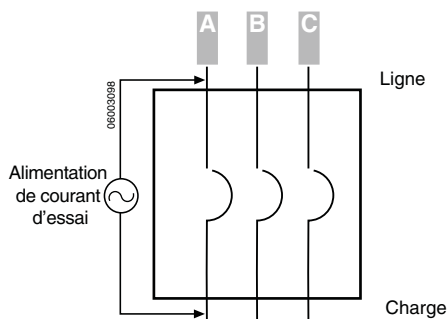
**Figure 19 : Schéma de raccordement d'essai pour un essai de taille du TC de neutre**



Voir les directives d'utilisation du disjoncteur pour les raccordements au disjoncteur et au TC de neutre.

7. Vérifier que la taille du TC de neutre est correcte (systèmes triphasés à quatre fils) en effectuant un essai de déclenchement comme suit:
  - a. Raccorder le disjoncteur et le TC de neutre comme indiqué à la figure 19. Raccorder la borne de polarité (+) de l'unité d'injection de courant élevé au côté charge du disjoncteur, le cavalier doit aller du raccordement de la ligne sur le disjoncteur au raccordement H1 sur le TC de neutre (ou le côté du TC de neutre avec le point rouge). Raccorder la borne de non polarité (-) de l'unité d'injection de courant élevé à H2 sur le TC de neutre (sur le côté ligne du disjoncteur). Raccorder le secondaire du TC de neutre conformément au manuel de directives du disjoncteur ou aux directives du TC de neutre.
  - b. Appliquer le courant.
  - c. Le disjoncteur doit se déclencher à la moitié de la valeur de l'enclenchement d'un défaut à la terre. Un déclenchement indique que le TC de phase et le TC de neutre ont le même rapport de spires (même taille).

**Figure 20 : Schéma de raccordement d'essai pour un disjoncteur sans TC de neutre**



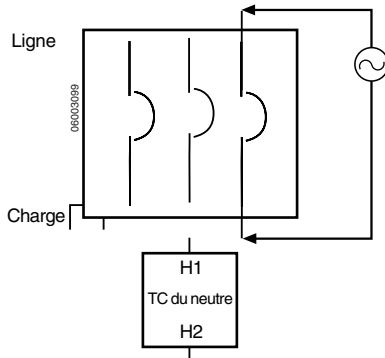
8. Vérifier l'enclenchement et le retard de défaut à la terre en effectuant un essai de déclenchement comme suit:
  - a. Raccorder le disjoncteur comme indiqué à la figure 20, (systèmes triphasés à trois fils) ou à la figure 21 (systèmes triphasés à quatre fils).

**REMARQUE :** La méthode recommandée d'essai d'enclenchement et de retard de défaut à la terre est la méthode « d'impulsion ». Cette méthode sera la plus précise, mais nécessite que l'appareil d'essai soit muni d'un oscilloscope étalonné à retenue d'image ou d'un ampèremètre numérique à cadence d'échantillonnage rapide. Un chronomètre précis est nécessaire pour enregistrer le retard.

- b. Après avoir raccordé et fermé le circuit correctement, appliquer le courant en impulsions courtes d'une durée de 10 cycles. En démarrant à 70 % de la valeur de déclenchement envisagée, augmenter le courant à chaque impulsion suivante jusqu'à ce que le disjoncteur se déclenche.

**REMARQUE :** Pour les disjoncteurs SE de la série 2, le courant doit être appliqué pendant un minimum de deux secondes.

**Figure 21 : Schéma de raccordement d'essai pour un essai d'enclenchement et de retard de défaut à la terre**



- c. Refermer le disjoncteur et réduire le niveau du courant; lancer une autre impulsion afin de déterminer si le niveau d'enclenchement trouvé était dépassé.
- d. Répéter les points b et c pour isoler davantage le point d'enclenchement.
- e. Pour déterminer le retard, essayer chaque pôle du disjoncteur individuellement à 150 % du réglage d'enclenchement de défaut à la terre. Surveiller le temps à compter du point d'enclenchement jusqu'à ce que le disjoncteur se déclenche pour obtenir le retard.
- f. Noter les valeurs d'enclenchement et de retard et comparer les résultats à la courbe de déclenchement.

L'essai de défaut à la terre peut se faire également à l'aide de la trousse d'essai à injection secondaire UTS-3. Ces appareils d'essai d'injection secondaire ne vérifient pas les transformateurs de courant et les raccordements.

#### **Essais pour une alarme de défaut à la terre seulement: Disjoncteurs LE, ME, NE, PE et SE**

Tous les disjoncteurs LE, ME, NE, PE et SE munis de la fonction d'alarme de défaut à la terre sont livrés avec une fonction d'essai intégrale de défaut à la terre. Une alimentation de 120 V est requise pour le fonctionnement de la fonction d'essai intégrale. Les circuits d'essai simulent un défaut à la terre quand on appuie sur le bouton d'essai sur la face avant du disjoncteur. L'ampèremètre dans le disjoncteur indiquera une valeur de courant lorsque l'on appuie sur le bouton pousser-pour-vérifier.

**REMARQUE :** L'alarme de défaut à la terre sur le disjoncteur ne se déclenchera pas ou indiquera un déclenchement quand on appuie sur le bouton pousser-pour-vérifier sur la face avant du disjoncteur.

Lorsqu'il est raccordé à un système Powerlogic via un adaptateur de communication (numéro de catalogue Square D CIM3F), le système Powerlogic indiquera une valeur de courant de défaut à la terre lorsqu'on appuie sur le bouton pousser-pour-vérifier. Le système Powerlogic indique une condition d'alarme si l'on appuie sur le bouton pousser-pour-vérifier pendant deux secondes. Le disjoncteur demande une seconde au maximum pour communiquer une condition d'alarme. Le système Powerlogic met la condition à jour seulement aussi souvent que le réglage du temps de balayage l'indique sur le système Powerlogic.

Les directives pour l'essai de déclenchement sur défaut à la terre, page 129, peuvent être appliquées aux disjoncteurs avec alarme de défaut à la terre seulement, avec les exceptions suivantes:

- A. Les disjoncteurs avec alarme de défaut à la terre seulement ne possèdent pas de fonctions de déclenchement ou de retard. L'appareil universel d'essai (numéro de catalogue UTS3) n'affichera donc pas de valeurs de temps.
- B. L'interverrouillage sélectif de zone sur défaut à la terre n'est pas disponible sur les disjoncteurs avec alarme de défaut à la terre seulement.
- C. Si la méthode d'essai par impulsions est utilisée, le signal d'impulsion doit être suffisamment long pour que le système Powerlogic reconnaisse la condition d'alarme.

En cas d'essai d'injection secondaire à l'aide de l'appareil d'essai UTS3, le disjoncteur doit être déconnecté du système Powerlogic. Pour déconnecter le disjoncteur du système Powerlogic, débrancher la fiche à 4 broches de l'adaptateur. L'appareil d'essai indiquera que le disjoncteur a échoué l'essai si le système Powerlogic reste connecté durant l'essai. Après les essais, reconnecter la fiche à 4 broches à l'adaptateur. Suivre les directives pour la

**Tableau 10 : Valeur maximum de résistance par pôle en micro-Ohms**

Disjoncteur		Micro-ohms (μohm)	Disjoncteur		Micro-ohms (μohm)
Type	Val. nom.		Type	Val. nom.	
LE, LX	300	477	NE, NX	600	112
	350	416		700	106
	400	250		800	85
	450	310		900	81
	500	286		1000	66
	600	169		1200	56
ME, MX	125	1,600	PE, PX	600	106
	150	1,500		700	100
	175	914		800	81
	200	725		1000	63
	225	593		1200	53
	250	488		1400	49
	300	344		1600	41
	350	261		1800	35
	400	200		2000	31
	450	146		2500	33
	500	114	PE, PX	600	106
	600	94		700	100
	700	78		800	81
	800	68		1000	63
			1200	53	

version de logiciel de Powerlogic pour s'assurer que la communication a été rétablie avec le disjoncteur.

**REMARQUE :** L'essai d'un disjoncteur raccordé à un système Powerlogic fait ce dernier réagir comme si le disjoncteur subissait des défauts réels.

#### Essai de résistance des contacts

Les essais de résistance des pôles d'un disjoncteur ne sont pas des indicateurs fiables de la performance du disjoncteur parce que les valeurs de résistance sont influencées par un certain nombre de facteurs transitoires, notamment l'oxydation des surfaces de contact, la présence de corps étrangers entre les contacts et les méthodes d'essais. Le paragraphe 6.4.1 de NEMA AB 4 précise: « La chute de tension en millivolts d'un pôle de disjoncteur peut varier de façon notable par suite de la variabilité inhérente due à la très faible résistance des contacts et connecteurs électriques. De telles variations ne prédisent pas nécessairement une performance inacceptable et ne doivent pas être utilisées comme seul critère pour déterminer l'acceptabilité ».

Une résistance élevée des pôles peut être également causée par des contacts érodés, une force de contact faible et une terminaison desserrée. Le seul de ces facteurs à être vraisemblablement présent sur un disjoncteur neuf est une terminaison desserrée, du fait que les contacts sont neufs et que la pression des contacts n'a eu aucune occasion de se dérégler depuis le réglage à l'usine. Une terminaison desserrée peut être corrigée sur place.

Si un essai de résistance des contacts est effectué, il est important de le faire après le conditionnement des contacts par un essai d'injection primaire instantanée afin de s'assurer que les contacts ne montrent aucun film résistif, aucune oxydation et ne comportent pas de corps étrangers. Si le disjoncteur a été en service sans problèmes de performance (surchauffe ou déclenchement intempestif), les mesures de résistance des contacts sont superflues et de peu de valeur.

Square D recommande d'utiliser un ohmmètre numérique à faible résistance DLRO (Digital Low Resistance Ohmmeter), avec un courant d'essai cc de 10 A pour les disjoncteurs d'une intensité nominale inférieure à 100 A, et un courant cc de 100 A pour les disjoncteurs d'une intensité nominale de 100 A et au-dessus. La valeur médiane (du milieu) de trois relevés (en basculant la manette du disjoncteur entre chaque relevé) doit être notée pour chaque pôle essayé. Si cette valeur est égale ou inférieure à la valeur indiquée dans le tableau 10, le pôle est acceptable. Si le relevé est supérieur, la cause doit être recherchée et corrigée si possible. Contacter le bureau des ventes local pour plus de renseignements.

#### Retirer les raccordements d'essai

Dès la fin des essais:

- Retirer les raccordements d'essai du disjoncteur.
- Inspecter les raccordements afin de voir s'ils ont été endommagés par les essais.
- Remettre le commutateur d'enclenchement de longue durée à ses réglages d'origine, telle que notée ci-dessus.
- Si une alimentation auxiliaire est utilisée pour le déclencheur Micrologic, rebrancher l'alimentation auxiliaire.

#### Renseignements supplémentaires

Pour plus de renseignements sur les disjoncteurs Square D, se reporter au manuel de directives approprié. Ces manuels contiennent des directives d'installation, des renseignements de montage, des mesures de sécurité, des schémas de câblage et des tableaux de dépannage pour des disjoncteurs spécifiques.

## Section 6—Appareils d'essai disponibles

### Appareils d'essai pour disjoncteurs à châssis L, M, N, P et S avec déclencheurs Micrologic®

#### Kit ampèremètre/Indicateur de déclenchement

Les kits ampèremètre/indicateur de déclenchement (ALAM et ALAMP) offrent des capacités de mesure du courant en temps réel et, si le disjoncteur se déclenche, les kits indiquent le type de déclenchement:

- Surcharge
- Court-circuit
- Défaut à la terre

Le kit ampèremètre/indicateur de déclenchement fournit un moyen simple de dépanner la cause d'un déclenchement et est livré installé dans les disjoncteurs à fonctions complètes (LE, ME, NE, PE et SE). Le kit fournit une assistance en ligne avec:

- l'identification des phases surchargées ou déséquilibrées
- la définition du niveau de courant de défaut à la terre passant dans le circuit

Le kit ALAM est destiné à une utilisation avec toutes les séries de disjoncteurs à déclenchement électronique Micrologic® de châssis L, M, N et S. Le kit ALAMP est destiné à une utilisation avec toutes les séries de disjoncteurs à déclenchement électronique Micrologic de châssis P et est différent seulement à cause de l'orientation de la cavité du déclencheur.

#### Module de remise à zéro de la mémoire

Les modules de remise à zéro de la mémoire (numéros de catalogue MTMB, MTM2 et MTM3) sont utilisés pour remettre à zéro la mémoire de longue durée sur les disjoncteurs à déclenchement électronique Micrologic. Cela permet des essais d'injection primaire plus rapides du disjoncteur.

- Le module MTMB est destiné à une utilisation avec les déclencheurs Micrologic de la série B.
- Le module MTM3 est destiné à une utilisation avec les déclencheurs Micrologic de la série 3.
- Le module MTM2 est destiné à une utilisation avec les disjoncteurs SE de la série 2 à déclenchement électronique.

#### Trousse d'essai d'injection primaire

Les kits de fiches adaptatrices (SEPITK1 et SEPITK2) utilisent des cavaliers dans certaines bornes pour raccorder correctement le câblage de détection secondaire dans les disjoncteurs SE débrochables. La trousse d'essai SEPITK1 est destinée à une utilisation avec les disjoncteurs SED de la série 1; la trousse d'essai SEPITK2 est destinée à une utilisation avec les disjoncteurs SED de la série 2 et au-dessus.

#### Appareil universel d'essai

L'appareil universel d'essai en option (numéro de catalogue UST3) est un système utilisant un microprocesseur pour vérifier tous les disjoncteurs LE, LX, LXI, ME, MX, NE, NX, PE, PX et SE avec déclencheurs Micrologic. Cet appareil d'essai vérifiera à fond chaque fonction du déclencheur. L'appareil universel d'essai est un vérificateur à injection secondaire et ne tient pas compte des tolérances d'un transformateur de courant.

L'appareil d'essai UTS3 comprend:

- Le module d'essai pour les systèmes de déclenchement standard et à fonctions complètes Micrologic de la série B
- Un module d'auto-vérification
- Un cordon électrique
- Un câble plat
- Un manuel de directives

## Appareils d'essai disponibles pour disjoncteurs Masterpact® et PowerPact® avec déclencheurs électroniques Micrologic

### Trousse d'essai des fonctions complètes

La trousse d'essai à fonctions complètes est un système utilisant un microprocesseur pour vérifier les disjoncteurs Compact® NSJ, Masterpact® et PowerPact® avec déclencheurs électroniques Micrologic. La trousse d'essai à fonctions complètes est un vérificateur à injection secondaire et ne vérifie pas les transformateurs de courant et les raccordements.

La trousse d'essai à fonctions complètes est conçue pour une utilisation comme unité d'essai autonome ou conjointement avec un ordinateur personnel. La trousse d'essai à fonctions complètes à elle seule effectue les essais suivants:

- Vérification des fonctions de protection (LSIG)
- Conformité avec la courbe de déclenchement
- Essais électriques et mécaniques du système de déclenchement
- Essais de l'interverrouillage sélectif de zone
- Inhibition de la protection contre les défauts à la terre pour une utilisation durant un essai d'injection primaire
- Inhibition de l'imagerie thermique pour une utilisation durant un essai d'injection primaire
- Fourniture d'une alimentation de commande au déclencheur pour mettre des afficheurs sous tension

### Trousse d'essai portative

La trousse d'essai portative est une petite unité alimentée par piles. Elle est conçue pour fournir des essais d'injection secondaire commodes sur les disjoncteurs Compact NSJ, Masterpact et PowerPact avec déclencheurs Micrologic. La trousse d'essai portative est alimentée par cinq piles de 9 V et peut être utilisée pour faire les opérations suivantes :

- Vérifier le fonctionnement du déclencheur en déclenchant le disjoncteur par un signal d'injection secondaire.
- Fournir une alimentation de commande au déclencheur pour mettre les afficheurs sous tension.
- Inhiber la fonction d'imagerie thermique pour l'essai d'injection primaire.
- Inhiber le défaut de m.à.l.t. pour l'essai d'injection primaire.
- Essais de l'interverrouillage sélectif de zone<sup>1</sup>

<sup>1</sup> Fourni seulement une alimentation au déclencheur pour indiquer qu'un signal de ZSI (d'interverrouillage sélectif de zone) a été reçu. N'initialisera pas la commande pour envoyer un signal d'entrave de ZSI.



**Guide d'essai sur place et d'entretien  
Directives d'utilisation**

**Schneider S.A.**

3600 Sixth St. SW  
Cedar Rapids, IA 52404 USA  
1-800-565-6699  
[www.schneider-electric.ca](http://www.schneider-electric.ca)

Seul un personnel qualifié doit effectuer l'installation, l'utilisation, l'entretien et la maintenance du matériel électrique. Schneider Electric n'assume aucune responsabilité des conséquences éventuelles découlant de l'utilisation de cette documentation.

48049-900-02 © 2008 Schneider Electric Tous droits réservés  
ECN 701D Remplace 48049-900-01 646D 04/2008