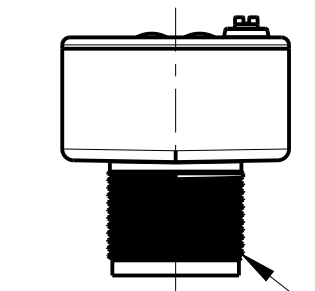
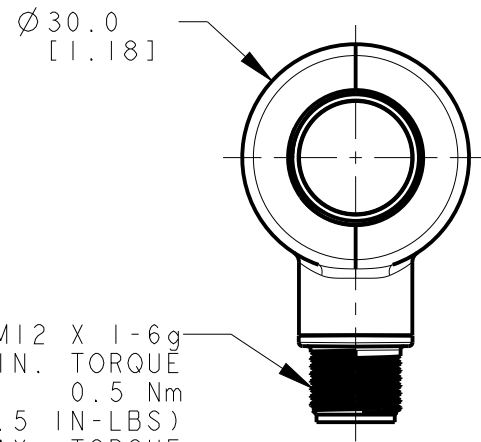


8 | 7 | 6 | 5 | 4 | 3 | 2 | 1

D

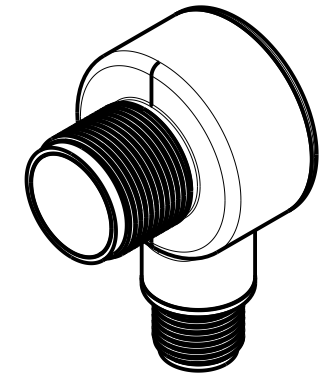
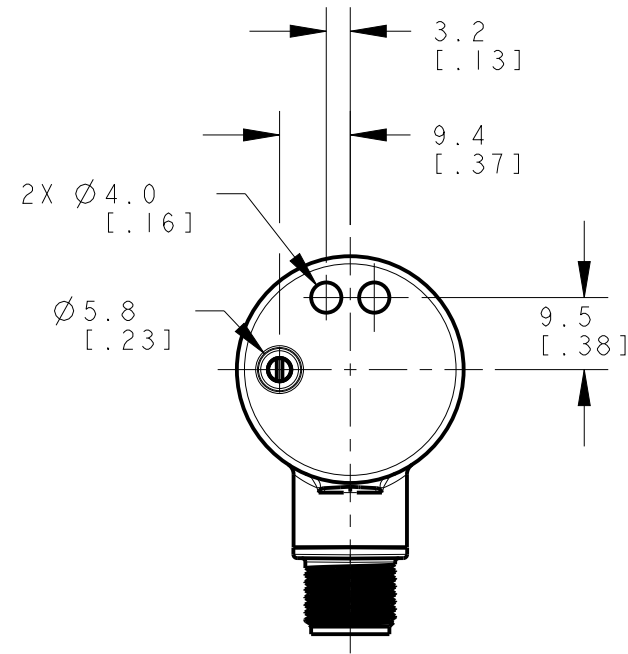
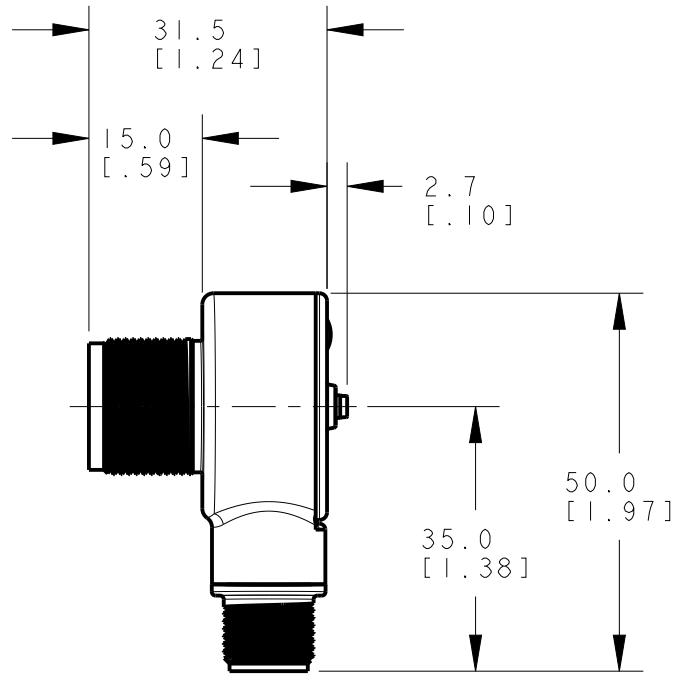


M18 X 1-6g
MAX. TORQUE
3.4 Nm
(30 IN-LBS)

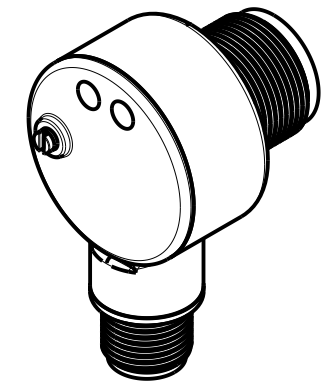


Ø 30.0
[1.18]

M12 X 1-6g
MIN. TORQUE
0.5 Nm
(4.5 IN-LBS)
MAX. TORQUE
1.0 Nm
(9 IN-LBS)



ISOMETRIC VIEW
SCALE 1:1

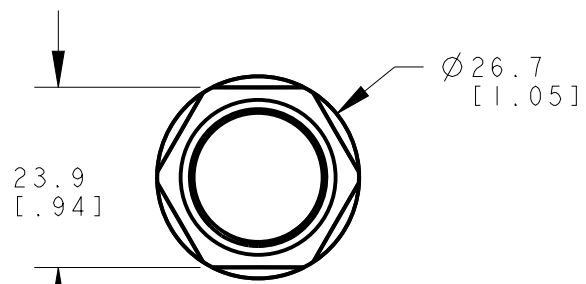


ISOMETRIC VIEW
SCALE 1:1

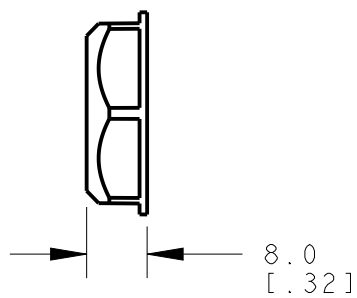
C

B

A



M18 X 1 NUT



NOTES:
1. ALL DIMENSIONS ARE MILLIMETERS [INCHES] UNLESS OTHERWISE NOTED.
2. REFER TO "www.bannerengineering.com" FOR ADDITIONAL DATA AND SPECIFICATIONS.

This drawing is the property of BANNER ENGINEERING CORP. Any use or reproduction, in any form, without prior written permission of Banner is prohibited. © 2015 Banner Engineering Corp.



BANNER ENGINEERING CORP.
www.bannerengineering.com

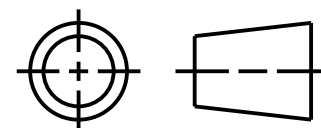
TITLE

T18-2 RS/LPC/DL/DS OD

SIZE B DRAWING NO. **199033** REV. **A**

SCALE 1:1 SHEET 1 OF 1

THIRD ANGLE PROJECTION



8 | 7 | 6 | 5 | 4 | 3 | 2 | 1 CREO