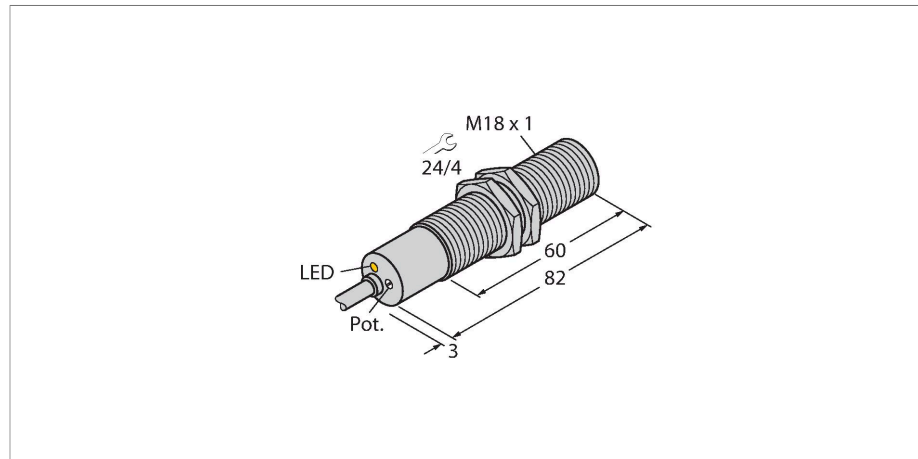


# FCS-M18-AN8X

## Flow Monitoring – Immersion Sensor with Integrated Processor



### Features

- Sensor for gaseous media
- Calorimetric principle
- Adjustments via potentiometer
- 3-wire DC, 21...26 VDC
- NO contact, NPN output
- Cable device

### Functional principle

The function of immersion flow sensors is based on the thermodynamic principle. The sensor is heated up by a few degrees Celsius compared to the flow medium. If the medium flows past the sensor, the heat generated in the sensor is dissipated. The resulting temperature is measured and compared with the temperature of the medium. The flow condition of each medium can be derived from the temperature difference obtained. Thus, TURCK flow sensors reliably and wear-free monitor the flow of liquid or gaseous media.

### Technical data

Ident. no.	6870715
Type	FCS-M18-AN8X
<b>Mounting</b>	<b>Immersion sensor</b>
Air Operating Range	0.5...15 m/s
Switch-on time	typ. 2 s (1...20 s)
Switch-off time	typ. 2 s (1...20 s)
Temperature gradient	≤ 200 K/min
Medium temperature	-20...+70 °C
Ambient temperature	0...+60 °C
<b>Operating voltage</b>	<b>19.2...28.8 VDC</b>
Output function	NPN, NO contact
Rated operational current	0.4 A
Voltage drop at I <sub>o</sub>	≤ 1.5 V
Short-circuit protection	yes
Reverse polarity protection	yes
Protection class	IP67
Design	Immersion
<b>Housing material</b>	<b>Metal, CuZn</b>
Sensor material	Brass, brass, nickel-plated
Electrical connection	Cable
Cable length (L)	2 m
Core cross-section	3 x 0.25 mm <sup>2</sup>
Process connection	M18 x 1
Switching state	LED chain, Green/Yellow/Red

## Technical data

Flow state display	LED chain
Indication: Drop below setpoint	LED red
Indication: Setpoint reached	LED yellow
Indication: Setpoint exceeded	4 x LEDs green