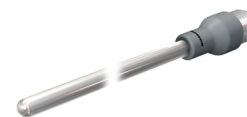
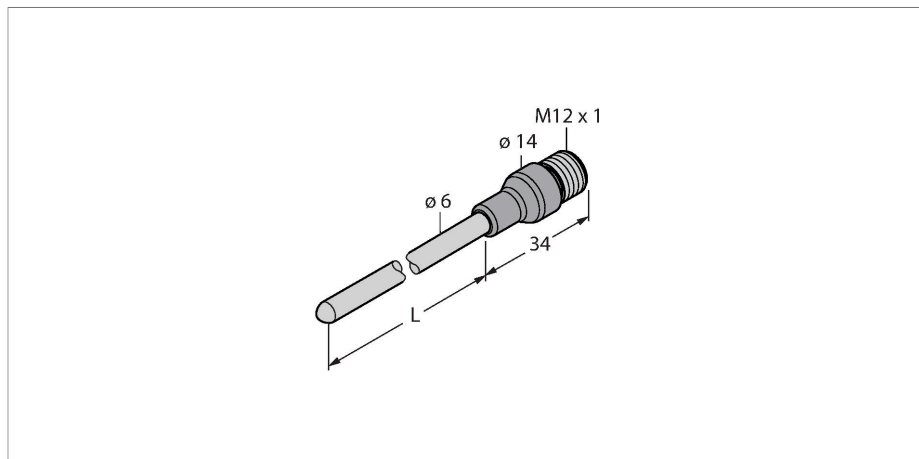


# TP-206A-CF-H1141-L1000

## Temperature Detection – Probe



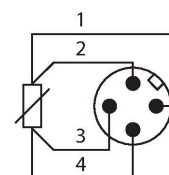
### Technical data

|   |  |
|---|--|
| Type  | TP-206A-CF-H1141-L1000   |
| ID no.  | 9910493  |
| <b>Temperature range</b>                        |  |
| Measuring range                                 | -50...500 °C   |
| Temperature operating range                     | -58...932 °F   |
| Accuracy  | $\pm 0.15 \text{ °C} + 0.002 \cdot  t $ (-30...350 °C)               |
| Measuring element                               | Pt-100 probe, DIN EN 60751, class A                                  |
| Self-heating                                    | 0.4 K/mW at 0 °C   |
| Response time                                   | $t_{0.5} = 6 \text{ s} / t_{0.9} = 15 \text{ s}$ in water at 0.2 m/s |
| Immersion depth (L)                             | 1000 mm  |
| Process Pressure                                | 100 bar  |
| Output function                                 | 4-wire   |
| Housing material                                | Stainless steel, 1.4404 (AISI 316L)                                  |
| Process connection                              | For compression fittings, thermowell or direct mounting              |
| Electrical connection                           | Connector, M12 x 1   |
| Protection class                                | IP67   |
| Ambient temperature                             | -40...+85 °C   |
| Storage temperature                             | -40...+85 °C   |
| <b>Reference conditions acc. to IEC 61298-1</b> |  |
| Temperature                                     | 15...+25 °C  |
| Atmospheric pressure                            | 860...1060 hPa abs.  |
| Humidity  | 45...75 % rel.   |

### Features

- Pt-100 probe acc. to DIN EN 60751
- Vibration and shock-resistant
- Connectable to TS, TTM, IM34, BL20, BL67
- Max. temperature connector: 120°C
- 4-wire connection technology

### Wiring diagram



### Functional principle

Resistance thermometers are used for the detection and monitoring of temperatures to optimize and control a process. Typical applications are in machine and plant construction as well as in the process industry. The core element of the temperature probe is a temperature-dependent resistor.

## Technical data

|                 |  |
|-----------------|--|
| Auxiliary power | 24 VDC                                     |
| MTTF            | 2283 years acc. to SN 29500 (Ed. 99) 20 °C |

## Technical data

|   |   |
|---|---|
| Type  | TP-206A-CF-H1141-L1000                                  |
| ID no.  | 9910493   |
| <b>Temperature range</b>                        |   |
| Measuring range                                 | -50...500 °C  |
| Temperature operating range                     | -58...932 °F  |
| Accuracy  | 0.15 °C + 0.002 • t  (-30...350 °C)                     |
| Self-heating                                    | 0.4 K/mW at 0 °C  |
| Measuring element                               | Pt-100 probe, DIN EN 60751, class A                     |
| Response time                                   | t 0.5 = 6 s / t 0.9 = 15 s in water at 0.2 m/s          |
| Immersion depth (L)                             | 1000 mm   |
| Protection type and class                       | IP67  |
| Output function                                 | 4-wire  |
| <b>Ambient conditions</b>                       |   |
| Ambient temperature                             | -40...+85 °C  |
| Storage temperature                             | -40...+85 °C  |
| <b>Housing</b>                                  |   |
| Housing material                                | Stainless steel, 1.4404 (AISI 316L)                     |
| Sensor material                                 | Stainless steel, 1.4404 (AISI 316L)                     |
| Process connection                              | For compression fittings, thermowell or direct mounting |
| Process Pressure                                | 100 bar   |
| Electrical connection                           | Connector, M12 × 1                                      |
| <b>Reference conditions acc. to IEC 61298-1</b> |   |
| Temperature                                     | 15...+25 °C   |
| Atmospheric pressure                            | 860...1060 hPa abs.                                     |
| Humidity  | 45...75 % rel.  |
| Auxiliary power                                 | 24 VDC  |
| MTTF  | 2283 years acc. to SN 29500 (Ed. 99) 20 °C              |