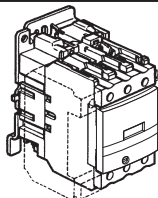


Contacteurs / Contacteurs-inverseur
 Contactors / Reversing-contactors
 Schütze / Wendeschütze
 Contattori / Teleinvertitori

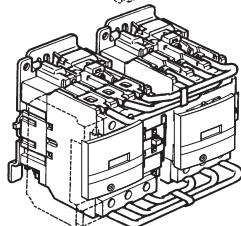
Contatores / Contatores-inversores
 Contactores / Contactores-inversores
 КОНТАКТОРЫ / РЕВЕРСИВНЫЕ КОНТАКТОРЫ
 接触器 / 换向接触器



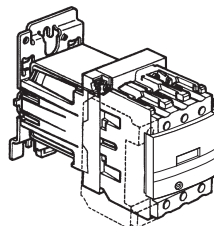
LC1D40
 LC1D50
 LC1D65
 LC1D80
 LC1D95



LC2D40
 LC2D50
 LC2D65
 LC2D80
 LC2D95



LC1D40
 LC1D50
 LC1D65
 LC1D80
 LC1D95



"For Motor Starting Use Schneider Electric Overload Relay Series LR".

⚠ DANGER / DANGER / PELIGRO / GEFAHR / PERICOLO / PERIGO / 危险 / ОПАСНОСТЬ

HAZARD OF ELECTRIC SHOCK, EXPLOSION OR ARC FLASH

Disconnect all power before servicing equipment.
Failure to follow these instructions will result in death or serious injury.

RISQUE D'ÉLECTROCUTION, D'EXPLOSION OU D'ÉCLAIR D'ARC ÉLECTRIQUE

Coupez toutes les alimentations avant de travailler sur cet appareil.
Si ces directives ne sont pas respectées, cela entraînera la mort ou des blessures graves.

PELIGRO DE DESCARGA ELÉCTRICA, EXPLOSIÓN O ARCO ELÉCTRICO

Desconecte todas las alimentaciones antes de manipular el producto.
El incumplimiento de estas instrucciones podrá causar la muerte o lesiones serias.

GEFAHR VON ELEKTRISCHEM SCHLAG, EXPLOSION ODER LICHTBOGEN

Vor dem Arbeiten am Gerät alle Spannungsversorgungen abschalten.
Die Nichtbeachtung dieser Anweisungen führt zu Tod oder schweren Verletzungen.

RISCHIO DI SCARICA ELETTRICA, ESPLOSIONE O ARCO ELETTRICO

Scolligare l'appare cchio da tutti i circuiti di alimentazione prima di qualsiasi intervento.
Il mancato rispetto di queste istruzioni provocherà morte o gravi infortuni.

RISCO DE ELECTROCUSSÃO, DE EXPLOÇÃO, OU DE ARCO ELÉCTRICO

Desconecte todas as alimentações antes de manipular o produto.
A não observância destas instruções resultará em morte, ou ferimentos graves.

电击、爆炸或电弧闪光危险
 在此电力设备上工作时, 请先切断所有电源。
 不遵循上述说明将导致人员伤亡。

Опасность поражения электрическим током, опасность взрыва или вспышки дуги.
 Перед обслуживанием или ремонтом убедитесь, что питание отключено.
Несоблюдение этих инструкций приведет к смерти или серьезной травме.

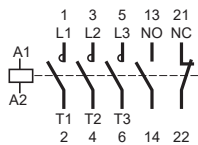
⚠ WARNING

RISK OF FIRE OR ELECTRIC SHOCK (FOR CONTACTOR WITH UL HI-FAULT SHORT CIRCUIT CURRENT RATINGS ONLY)

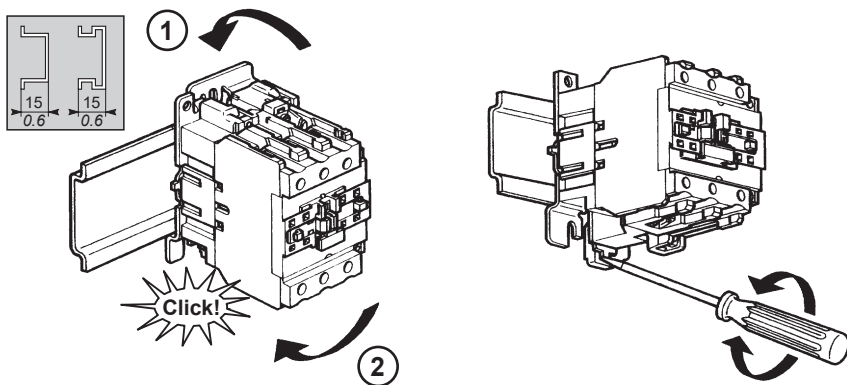
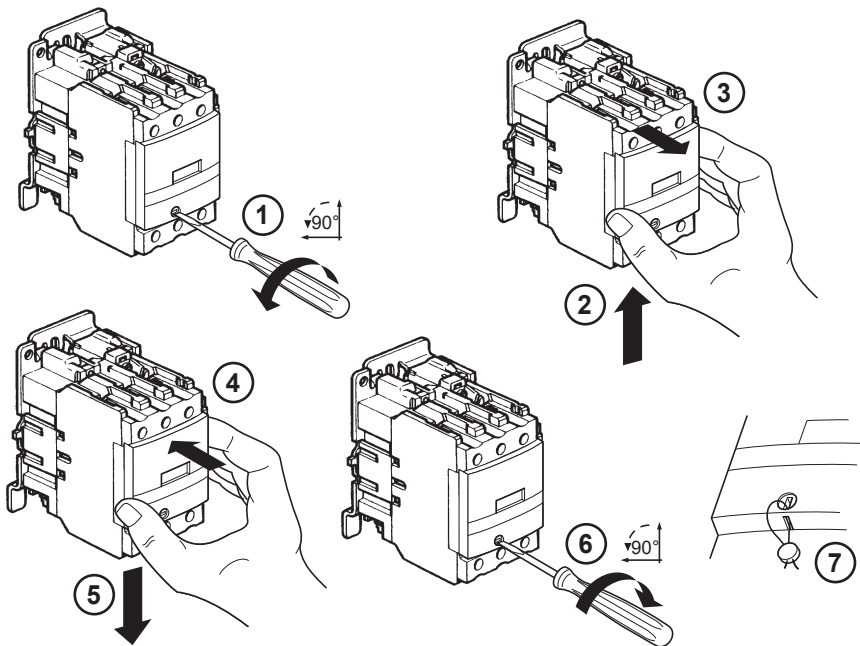
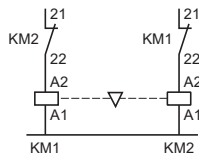
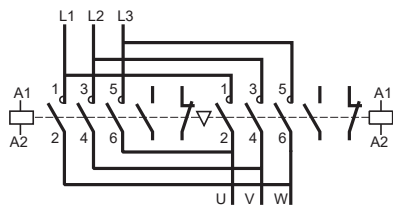
The opening of the branch-circuit protective device may be an indication that a fault current has been interrupted.
 To reduce the risk of fire or electric shock, current-carrying parts and the other components of the controller should be examined and replaced if damaged.

Failure to follow these instructions can result in death, serious injury, or equipment damage.

LC1

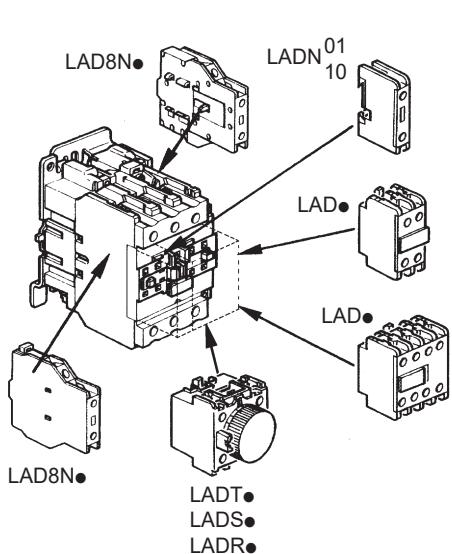


LC2



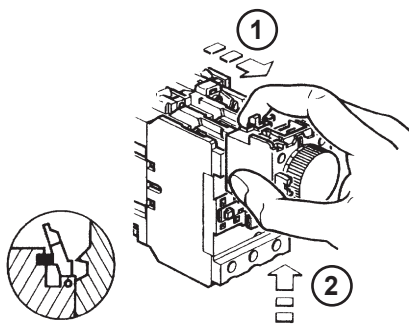
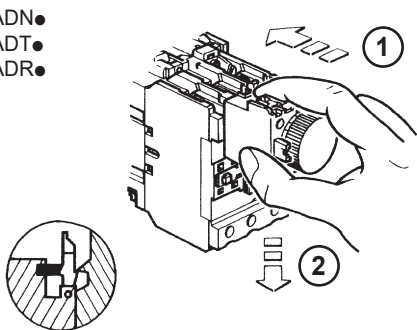
Additifs
 Adder blocks
 Hilfsschalterblöcke aufrastbar
 Additivi

Aditivos
 Aditivos
 Блоки суммирования
 加法器块

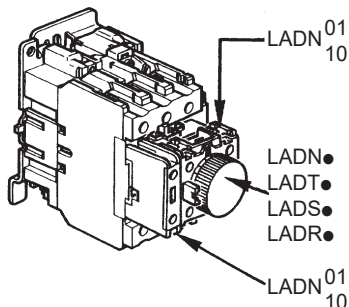
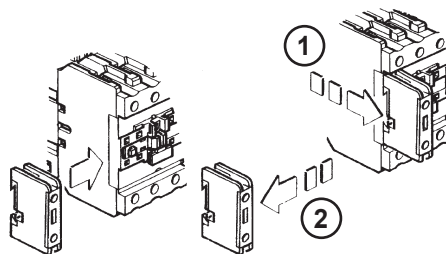


- | | |
|-----------------------|---------------------|
| 1 "F" | LADN10 |
| 1 "O" | LADN01 |
| 1 "F" + 1 "O" | LADN11 |
| 2 "F" | LADN20 |
| 2 "O" | LADN02 |
| 2 "F" + 2 "O" | LADN22 |
| 1 "F" + 3 "O" | LADN13 |
| 4 "F" | LADN40 |
| 4 "O" | LADN04 |
| 3 "F" + 1 "O" | LADN31 |
| 2 "F" + 2 "O" | LADC22 |
| 2 "F" | LA1DX20 (See page7) |
| 2 "F" + 2 "F" | LA1DX40 (See page7) |
| 1 "F" + 1 "O" + 2 "F" | LA1DZ31 (See page7) |
| 2 "F" | LA1DY20 (See page7) |
| 0,1...3 s | LADT0 |
| 0,1...30 s | LADT2 |
| 1...30 s | LADS2 |
| 10...180 s | LADT4 |
| 0,1...3 s | LADR0 |
| 0,1...30 s | LADR2 |
| 10...180 s | LADR4 |
| 1 "F" + 1 "O" | LAD8N11 (See page8) |
| 2 "F" | LAD8N20 (See page8) |

LADN●
 LADT●
 LADR●



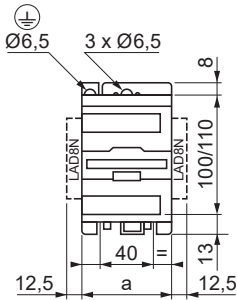
LADN⁰¹₁₀



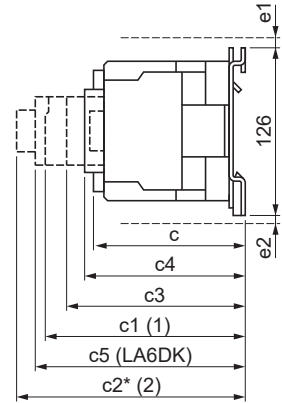
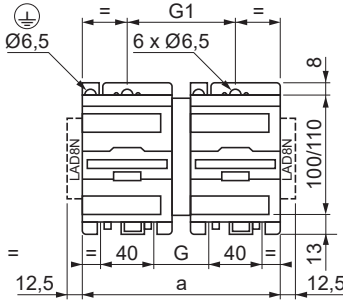
Encombres/bobines
 Dimensions/coils
 Abmessungen/Spulen
 Dimensioni d'incombro/bobine

Dimensiones/bobinas
 Atravancamentos/bobinas
 Габариты/катушки
 尺寸/线圈

LC1D40...D95



LC2D40...D95



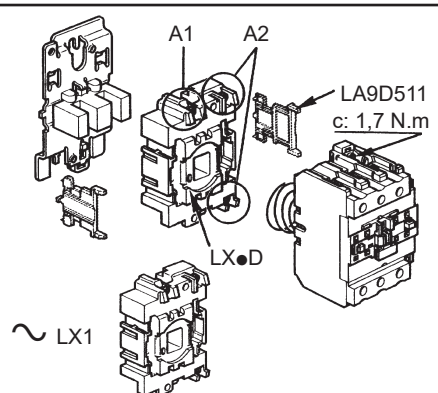
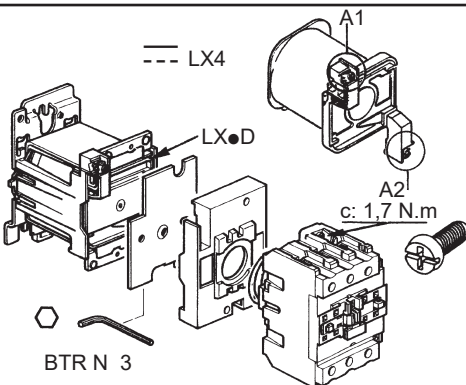
(mm)	3P a
LC1D40...D65	75
LC1D80...D95	85
LC2D40...D65	165
LC2D80...D95	182

(mm)	3P				
	e1	e2	c3	G	G1
LC2D40...D65	5	11	142	50	90
LC2D80...D95	13	20	158	57	96

(mm)	3P				
	c	c4	c1	c5	c2*
~ LC•D40...D65	114	116	146	157	165
~ LC•D80...D95	125	127	153	165	176
--- LC1D40...D65	171	173	202	213	221
--- LC1D80...D95	181	183	210	221	229

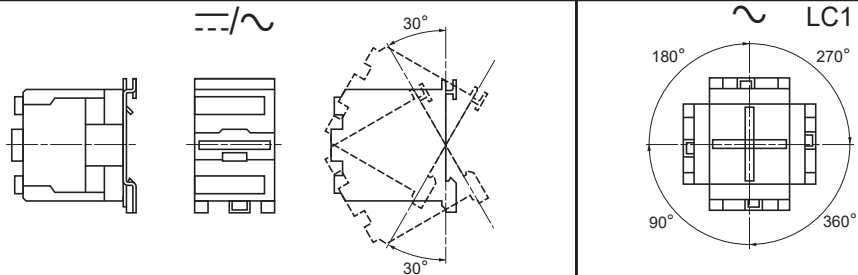
- (1) LADN, LADC
- (2) LADR, LADT, LADS

* + 4 mm (LA9D901)
 1 inch = 25,4 mm

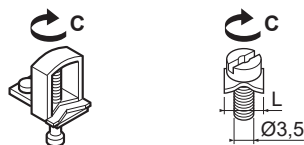













Positions de fonctionnement
Operating positions
Befestigungslage
Posizioni di funzionamento

Posiciones de funcionamiento
Posições de funcionamento
Рабочие положения
操作位置



Raccordement Mini ... Maxi
Wiring Min ... Max
Anschlüsse Min ... Max
Connessione Min ... Max
Capacidad de conexión Min ... Max
Ligação Min ... Máx
Проводка Мин...макс
接线最小 ... 最大

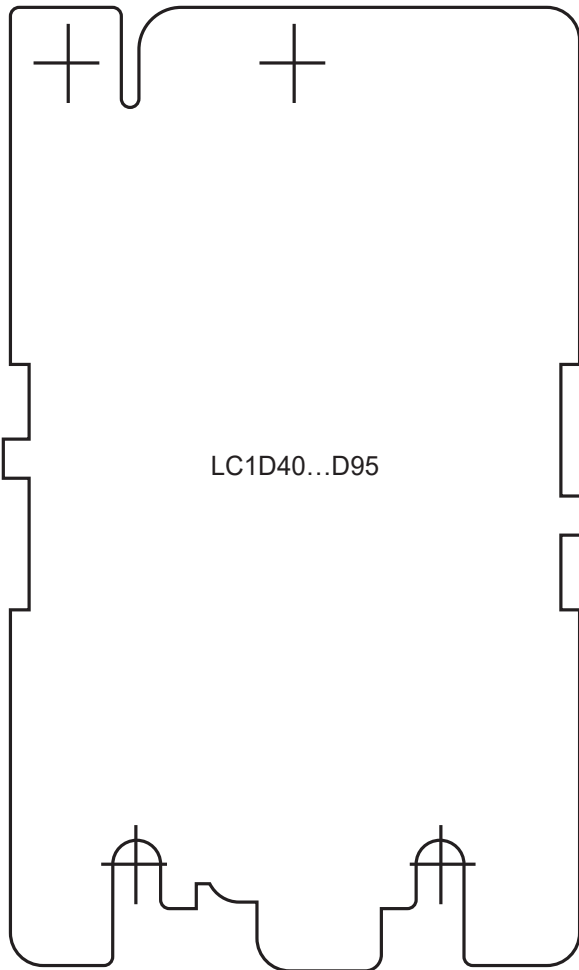


LC1 LC2										L (mm)		Philips 	C N.m
	(mm ²)	(mm ²)	(mm ²)	(mm ²)	(mm ²)	(mm ²)	(mm ²)	(mm)		(mm)			
D40	1...2,5	1...2,5 + 1...2,5	1...4	1...4 + 1...4	1...4	1...4 + 1...4	1...4 + 1...4	8		7,5	Ø 6	2	1,2
D50	2,5 : 25	2,5...10 + 2,5...10	2,5 : 25	2,5...16 + 2,5...16	2,5 : 25	2,5...16 + 2,5...16	2,5...16 + 2,5...16			-	Ø 6 Ø 8		5
D65													
D80	1...2,5	1...2,5 + 1...2,5	1...4	1...4 + 1...4	1...4	1...4 + 1...4	1...4 + 1...4	8		7,5	Ø 6	2	1,2
D95	4 : 50	4...16 + 4...16	4 : 50	4...25 + 4...25	4 : 50	6...25 + 6...25	6...25 + 6...25	4	4	-	Ø 6 Ø 8		12*
LXD	1...2,5	1...2,5 + 1...2,5	1...4	1...4 + 1...4	1...4	1...4 + 1...4	1...4 + 1...4	8		7,5	Ø 6	2	1,2
LAD													

* After installation due to creepage effect, it is recommended to recheck the torque periodically, especially for 35 mm² rigid cable or higher.

* 安装完成后, 考虑到金属蠕变效应, 建议定期检查扭矩, 尤其是对于 35 mm² 或更大的刚性电缆, 更应如此。

Gabarit de perçage
Drilling template
Bohrschablone
Maschera di foratura
Guia de taladrado
Gabarito de furação
Шаблон для сверления
钻孔模板

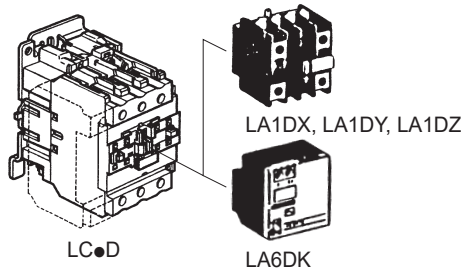


Les autres additifs
 Others adder blocks
 Hilfschalterblöcke seitlicher Anbau
 Gli altri additivi

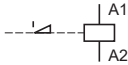
Los otros aditivos
 Os outros aditivos
 Другие блоки суммирования
 加法器块

• **LA1DX●●, LA1DY●●, LA1DZ●●**

Environnement polluant
 Environment pollution
 Für verschmutzte Umgebung
 Ambienti polverosi
 Ambiente polvoriento
 Ambiente poluído
 Загрязнение окружающей среды
 环境污染

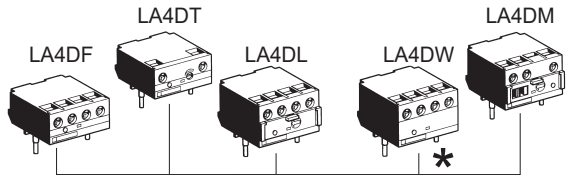


• **LA6DK**



• **LA4DF, LA4DW, LA4DL**

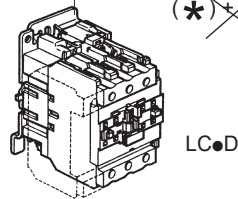
Modules d'interface
 Interface modules
 Interface - Module
 Moduli d'interfaccia
 Módulos interface
 Módulos de interface
 Интерфейсные модули
 接口模块



(*) + LC.D ---

• **LA4DM**

"Auto O Man"

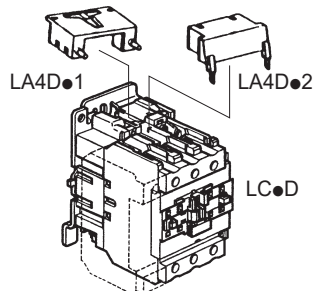


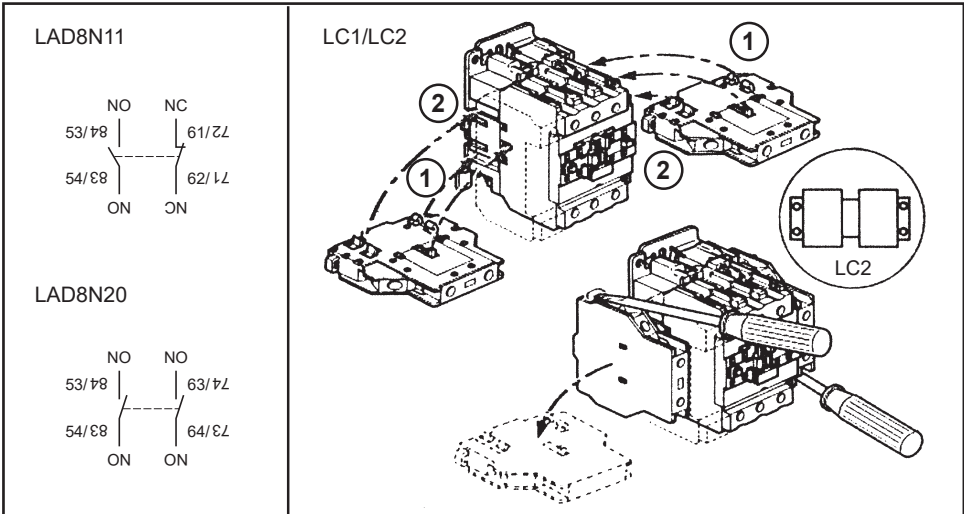
• **LA4DT**

Retard à l'excitation ou à la désexcitation bobine
 Delay on coil energisation or desenergisation
 Verzögerungsblöcke Ansprech, Rückfallver-zögert
 Ritardo all'eccitazione o alla diseccitazione bobina
 Retraso a la conexión o a la desconexión de la bobina
 Atraso á excitação ou á desexcitação da bobina
 Задержка возбуждения или снятия возбуждения катушки
 线圈通电或断电延迟

• **LA4DA●, LA4DB●, LA4DC●, LA4DE●**

Antiparasites
 Coil suppressor
 Überspannungsbegrenzer
 Antiparassiti
 Antiparasitarios
 Antiparasitas
 Устройство защиты от перегрузок катушки
 线圈抑制器





		Un	LADN● LADT● LADR● LA6DK●	LAD8N		
LC1 D40...D95	≡	0,8...1,1	●			
LC1 D40...D95	~ 50-60 Hz	0,8...1,1	●			
		0,85...1,1	●	●	●	●
LC2 D40...D95	50 Hz	0,8...1,1	●	●	●	●
	60 Hz		●	●	●	●

3P AC TeSys D contactors (LC1D40 -> LC1D95) are grade 2 according to GB 21518. Maximum power consumption lower than 36.6 VA.
 根据GB 21518标准, 三极 TeSys D系列交流接触器 (LC1D40 -> LC1D95) 能效等级为2级, 产品最大吸持功率低于36.6 VA

产品中有害有毒物质或元素的名称及含量 / Contents of Toxic or Hazardous Substances or Elements						
部件名称 Part Name	有害有毒物质或元素 / Toxic or hazardous Substances and Elements					
	铅 (Pb)	汞 (Hg)	镉 (Cd)	六价铬 (Cr ⁶⁺)	多溴联苯 (PBB)	多溴二苯醚 (PBDE)
金属部件 Metal Parts	X	O	O	O	O	O
<p>O : 表示该有害有毒物质在该部件所有均质材料中的含量均在SJ/T11363-2006 标准规定的限量要求以下。 Indicates that this toxic or hazardous substance contained in all of the homogeneous materials for this part is below the limit requirement in SJ/T11363-2006.</p> <p>X : 表示该有害有毒物质至少在该部件的某一均质材料中的含量超出SJ/T11363-2006 标准规定的限量要求。 Indicates that this toxic or hazardous substance contained in at least one of the homogeneous materials used for this part is above the limit requirement in SJ/T11363-2006.</p> <p>对销售之日的所售产品,本表显示,施耐德电气供应链的电子产品信息可能包含这些物质。注意:在所售产品中可能会也可能不会含有所有所列的部件。 Note: The products on sale may or may not contain all the parts/components listed here.</p>						



<p>The product's manufacture date is coded P₁P₂Y₁Y₂W₁W₂D, where:</p> <ul style="list-style-type: none"> ● P₁P₂: plant code ● Y₁Y₂: year of manufacture ● W₁W₂: week of manufacture ● (D: weekday of manufacture (Monday = 1)) 	<p>La date de fabrication du produit est codée P₁P₂Y₁Y₂W₁W₂D, avec:</p> <ul style="list-style-type: none"> ● P₁P₂: code usine ● Y₁Y₂: année de fabrication ● W₁W₂: semaine de fabrication ● (D: jour de fabrication dans la semaine (lundi = 1)) 	<p>La fecha de fabricación del producto está codificada P₁P₂Y₁Y₂W₁W₂D, donde:</p> <ul style="list-style-type: none"> ● P₁P₂: código de la planta ● Y₁Y₂: año de fabricación ● W₁W₂: semana de fabricación ● (D: día de la semana de fabricación (lunes = 1)) 	<p>Das Herstellungsdatum des Produkts ist folgendermaßen codiert: P₁P₂Y₁Y₂W₁W₂D. Wobei:</p> <ul style="list-style-type: none"> ● P₁P₂: Werkscode ● Y₁Y₂: Herstellungsjahr ● W₁W₂: Herstellungswoche ● (D: Herstellungstag (Montag = 1))
<p>La data di fabbricazione del prodotto è indicata con il codice P₁P₂Y₁Y₂W₁W₂D, dove:</p> <ul style="list-style-type: none"> ● P₁P₂: codice stabilimento ● Y₁Y₂: anno di fabbricazione ● W₁W₂: settimana di fabbricazione ● (D: giorno della settimana in cui il prodotto è stato fabbricato (lunedì = 1)) 	<p>A data de fabrico do produto está sob a forma de código P₁P₂Y₁Y₂W₁W₂D, onde:</p> <ul style="list-style-type: none"> ● P₁P₂: código da fábrica ● Y₁Y₂: ano de fabrico ● W₁W₂: semana de fabrico ● (D: dia da semana de fabrico (Segunda-feira = 1)) 	<p>Дата производства продукта закодирована в формате P₁P₂Y₁Y₂W₁W₂D, где:</p> <ul style="list-style-type: none"> ● P₁P₂: код завода ● Y₁Y₂: год производства ● W₁W₂: неделя производства ● (D: день недели, когда был произведен продукт (понедельник = 1)) 	<p>产品制造日期采用如下代码 P₁P₂Y₁Y₂W₁W₂D, 其中:</p> <ul style="list-style-type: none"> ● P₁P₂: 工厂代码 ● Y₁Y₂: 制造年份 ● W₁W₂: 第几周制造 ● (D: 星期几制造 (星期一 = 1))

Schneider Electric Industries SAS
35, rue Joseph Monier
CS30323
F - 92500 Rueil-Malmaison
www.se.com

Schneider Electric Limited

Stafford Park 5
Telford, TF3 3BL
United Kingdom
www.se.com/uk

**UK
CA**

**Уполномоченный поставщик в РФ:
АО «Шнейдер Электрик»**

Адрес:
127018, г. Москва, ул. Двинцев, д.12, корп.1,
тел. +7 (495)777 99 88,
факс: +7 (495)777 99 94, 8-800-200-6446
www.se.com/ru

EAC