

Product data sheet

Characteristics

HOM125

Mini circuit breaker, Homeline, 25A, 1 pole, 120/240 VAC, 10 kA AIR, standard type, plug in mount

Product availability : Stock - Normally stocked in distribution facility



Price* : 26.30 USD



Main

| | |
|------------------------------|---|
| Product | Miniature circuit-breaker |
| Range | Homeline |
| Current Rating | 25 A |
| Certifications | UL Listed |
| Voltage Rating | 120/240 V AC |
| Mounting Type | Plug-in |
| Number of Poles | 1P |
| Short Circuit Current Rating | 10 kA |
| Number of Spaces | 1 |
| Circuit Breaker Type | Standard |
| Ratings | HACR rated |
| Electrical Connection | Clamp terminal for 2 cables |
| Wire Size | AWG 14...AWG 8 aluminium/copper)1 AWG 14...AWG 10 copper)2 |

Complementary

| | |
|-------------------|--|
| Tightening torque | 35.40 lbf.in (4.0 N.m) 0.00...0.01 in ² (2.5...6 mm ²) (AWG 14...AWG 8) |
| Height | 3.13 in (79.50 mm) |
| Width | 1 in (25.40 mm) |
| Depth | 2.98 in (75.69 mm) |

Environment

| | |
|---------------------------------------|----------------|
| Ambient air temperature for operation | 104 °F (40 °C) |
|---------------------------------------|----------------|

* Price is "List Price" and may be subject to a trade discount – check with your local distributor or retailer for actual price.

Ordering and shipping details

| | |
|-----------------------|------------------------------------|
| Category | 00046 - HOM/T 15-30A 1P; 15-60A 2P |
| Discount Schedule | DE3D |
| GTIN | 00785901065463 |
| Nbr. of units in pkg. | 1 |
| Package weight(Lbs) | 5.12 oz (145.15 g) |
| Returnability | Yes |
| Country of origin | MX |

Packing Units

| | |
|------------------------|-------------------|
| Unit Type of Package 1 | PCE |
| Package 1 Height | 1.00 in (2.54 cm) |
| Package 1 width | 3.00 in (7.62 cm) |
| Package 1 Length | 3.00 in (7.62 cm) |

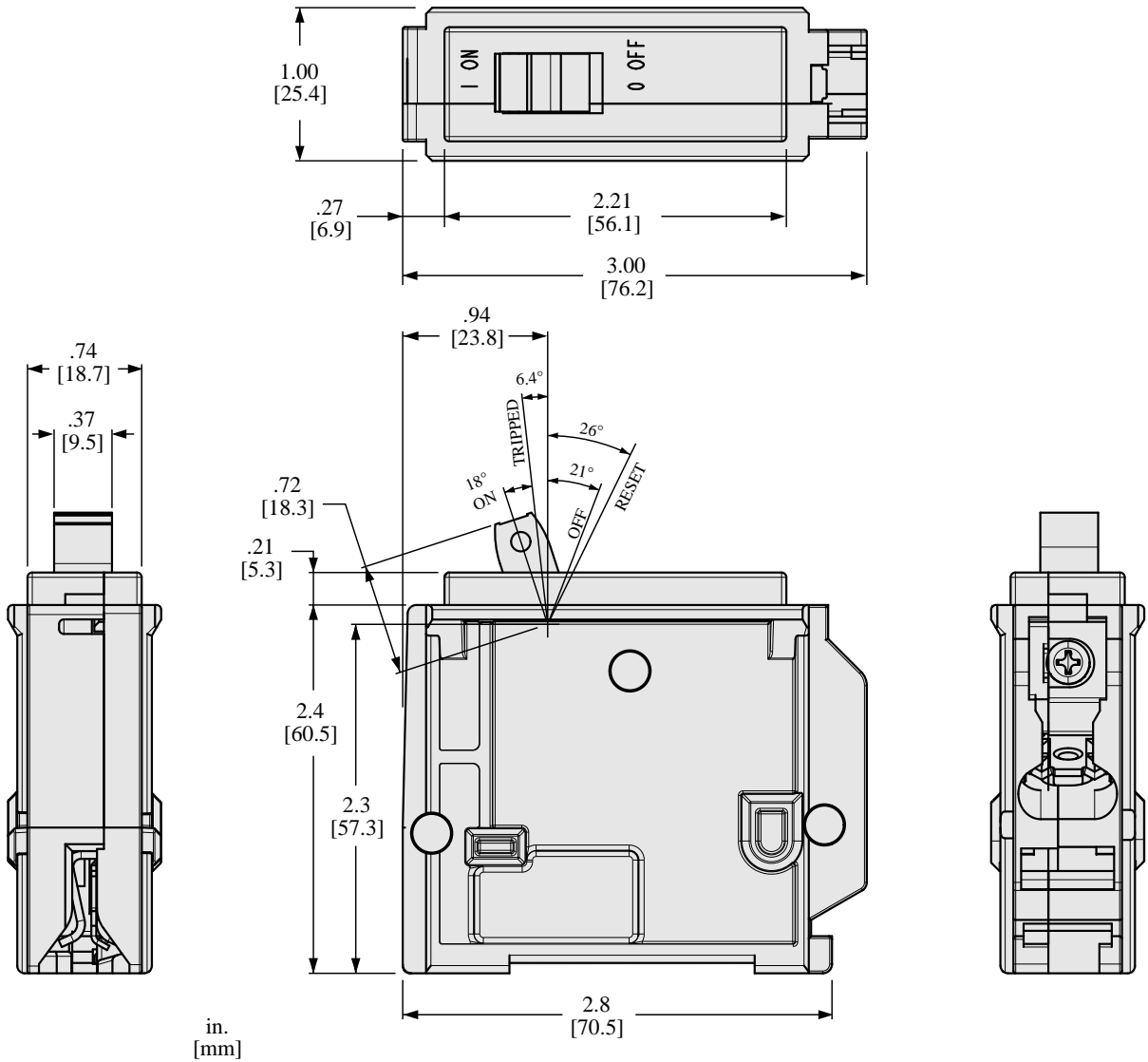
Offer Sustainability

| | |
|----------------------------|---|
| Sustainable offer status | Green Premium product |
| REACH Regulation | REACH Declaration |
| REACH free of SVHC | Yes |
| EU RoHS Directive | Compliant EU RoHS Declaration |
| Toxic heavy metal free | Yes |
| Mercury free | Yes |
| RoHS exemption information | Yes |
| China RoHS Regulation | China RoHS declaration Pro-active China RoHS declaration (out of China RoHS legal scope) |
| Environmental Disclosure | Product Environmental Profile |

Contractual warranty

| | |
|----------|----------|
| Warranty | Lifetime |
|----------|----------|

Dimensions



All dimensions are approximate. Also refer to technical drawings and documentation.