

ATS48D88Y

soft starter for asynchronous motor, ATS48, 77 A,
208..690 V, 18.5..75 KW

Product availability : Stock - Normally stocked in distribution facility



Price* : 1,575.00 USD



Main

| | |
|------------------------------|--|
| Range of product | Altistart 48 |
| Product or component type | Soft starter |
| Product destination | Asynchronous motors |
| Product specific application | Heavy duty industry and pumps |
| Device short name | ATS48 |
| Power supply voltage | 208...690 V - 15...10 % |
| Motor power kW | 22 kW 230 V for standard applications 37 kW 400 V for severe applications 37 kW 440 V for severe applications 45 kW 400 V for standard applications 45 kW 440 V for standard applications 45 kW 500 V for severe applications 45 kW 525 V for severe applications 55 kW 500 V for standard applications 55 kW 525 V for standard applications 55 kW 660 V for severe applications 55 kW 690 V for severe applications 75 kW 660 V for standard applications 75 kW 690 V for standard applications 18.5 kW 230 V for severe applications |
| Maximum Horse Power Rating | 20 hp 208 V for severe applications 25 hp 208 V for standard applications 25 hp 230 V for severe applications 30 hp 230 V for standard applications 50 hp 460 V for severe applications 60 hp 460 V for standard applications 60 hp 575 V for severe applications 75 hp 575 V for standard applications |
| Power dissipation in W | 245 W for standard applications 290 W for standard applications |
| Utilisation category | AC-53A |

* Price is "List Price" and may be subject to a trade discount – check with your local distributor or retailer for actual price.

| | |
|---------------------|--|
| Type of start | Start with torque control (current limited to 5 In) |
| Icl nominal current | 88 A connection in the motor supply line for severe applications 88 A connection in the motor supply line for standard applications |

Complementary

| | |
|------------------------------------|---|
| Assembly style | With heat sink |
| Function available | External bypass (optional) |
| Power supply frequency | 50...60 Hz - 5...5 % |
| Power supply frequency limits | 47.5...63 Hz |
| Device connection | In the motor supply line |
| Discrete output number | 2 |
| Discrete output type | (LO1) logic output 0 V common configurable (LO2) logic output 0 V common configurable (R1) relay outputs fault relay NO (R2) relay outputs end of starting relay NO (R3) relay outputs motor powered NO |
| Output absolute accuracy precision | +/- 5 % |
| Minimum switching current | 10 mA 6 V DC relay outputs |
| Maximum switching current | Logic output 0.2 A 30 V DC Relay outputs 1.8 A 230 V AC inductive, cos phi = 0.5 20 ms Relay outputs 1.8 A 30 V DC inductive, cos phi = 0.5 20 ms |
| Discrete input number | 5 |
| Discrete input type | PTC, 750 Ohm 77 °F (25 °C) (Stop, Run, LI3, LI4) logic, <= 8 mA 4300 Ohm |
| Discrete input voltage | 24 V <= 30 V |
| Discrete input logic | Positive logic Stop, Run, LI3, LI4 at State 0: < 5 V and <= 2 mA at State 1: > 11 V, >= 5 mA |
| Starting current | 0.4...1.3 Icl adjustable |
| Analogue output type | Current output AO: 0-20 mA or 4-20 mA, impedance <500 Ohm |
| Communication port protocol | Modbus |
| Connector type | 1 RJ45 |
| Communication data link | Serial |
| Physical interface | RS485 multidrop |
| Transmission rate | 4800, 9600 or 19200 bps |
| Max nodes number | 31 |
| Protection type | Phase failure: line Thermal protection motor Thermal protection: starter |
| Marking | CE |
| Operating position | Vertical +/- 10 degree |
| Height | 11.42 in (290 mm) |
| Width | 7.48 in (190 mm) |
| Depth | 9.25 in (235 mm) |
| Net Weight | 18.30 lb(US) (8.3 kg) |
| Motor power range AC-3 | 15...25 kW 200...240 V 3 phase 30...50 kW 380...440 V 3 phase 55...100 kW 480...500 V 3 phase 30...50 kW 480...500 V 3 phase |
| Motor starter type | Soft starter |

Environment

| | |
|-------------------------------|--|
| Electromagnetic compatibility | Conducted and radiated emissions level A conforming to IEC 60947-4-2 Conducted and radiated emissions level B conforming to IEC 60947-4-2 Damped oscillating waves level 3 conforming to IEC 61000-4-12 Electrostatic discharge level 3 conforming to IEC 61000-4-2 Immunity to electrical transients level 4 conforming to IEC 61000-4-4 Immunity to radiated radio-electrical interference level 3 conforming to IEC 61000-4-3 Voltage/current impulse level 3 conforming to IEC 61000-4-5 |
| Standards | EN/IEC 60947-4-2 |

| | |
|---------------------------------------|--|
| Product certifications | DNV CCC TCF CSA C-tick SEPRO GOST UL NOM 117 |
| Noise level | 58 dB |
| Relative humidity | 0...95 % without condensation or dripping water EN/IEC 60068-2-3 |
| Ambient air temperature for operation | 104...140 °F (40...60 °C) with current derating of 2 % per °C) 14...104 °F (-10...40 °C) without derating) |
| Ambient air temperature for storage | -13...158 °F (-25...70 °C) |
| Operating altitude | <= 3280.84 ft (1000 m) without derating > 1000...2000 m with current derating of 2.2 % per additional 100 m |

Ordering and shipping details

| | |
|-----------------------|------------------------------|
| Category | 22579 - OPEN ATS48 ALTISTART |
| Discount Schedule | CP1G |
| GTIN | 03389110982329 |
| Nbr. of units in pkg. | 1 |
| Package weight(Lbs) | 23.05 lb(US) (10.455 kg) |
| Returnability | Yes |
| Country of origin | ID |

Packing Units

| | |
|------------------------|--------------------|
| Unit Type of Package 1 | PCE |
| Package 1 Height | 12.01 in (30.5 cm) |
| Package 1 width | 14.37 in (36.5 cm) |
| Package 1 Length | 15.75 in (40 cm) |

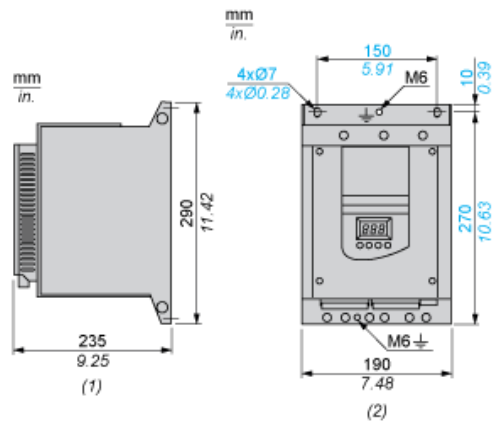
Offer Sustainability

| | |
|----------------------------|---|
| Sustainable offer status | Green Premium product |
| California proposition 65 | WARNING: This product can expose you to chemicals including: Lead and lead compounds, which is known to the State of California to cause cancer and birth defects or other reproductive harm. For more information go to www.P65Warnings.ca.gov |
| REACH Regulation | REACH Declaration |
| EU RoHS Directive | Pro-active compliance (Product out of EU RoHS legal scope) EU RoHS Declaration |
| Mercury free | Yes |
| RoHS exemption information | Yes |
| China RoHS Regulation | China RoHS declaration |
| Environmental Disclosure | Product Environmental Profile |
| Circularity Profile | End of Life Information |
| WEEE | The product must be disposed on European Union markets following specific waste collection and never end up in rubbish bins. |

Contractual warranty

| | |
|----------|-----------|
| Warranty | 18 months |
|----------|-----------|

Dimensions



- (1) Right View
- (2) Front View

Clearance

